



Operating and Training Guide
Manuel d'utilisation et de dressage
Handleiding en Africhtingsgids
Manual de adiestramiento y funcionamiento
Guida all'uso e all'addestramento
Betriebsanleitung und Trainingsanleitung

PIF-300-21

Wireless Pet Containment System™

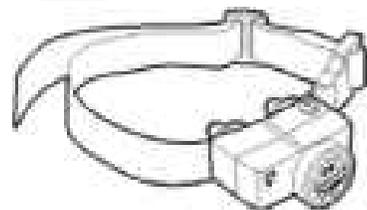
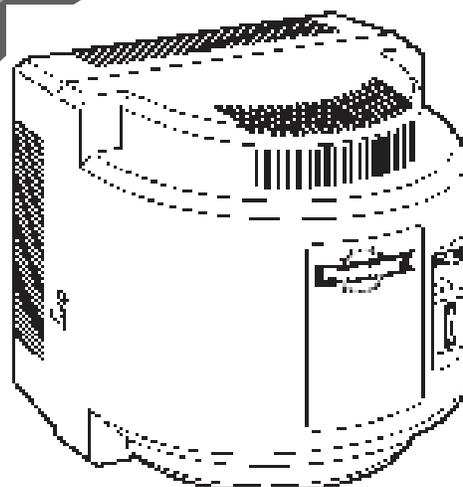
Système anti-fugue sans fil

Draadloos omheiningssystem
voor huisdieren

Limitador de zona sin cable

Sistema antifuga senza fili

Drahtloses Tierrückhaltesystem



Please read this entire guide before beginning
Veuillez lire ce manuel en entier avant de commencer
Gelieve deze gids volledig door te lezen voordat u begint
Por favor, lea detenidamente este manual antes de empezar
Si prega di leggere attentamente la guida al uso prima di utilizzare il collare
Bitte lesen Sie die gesamte Betriebsanleitung vor dem Train

IMPORTANT SAFETY INFORMATION

Explanation of Attention Words and Symbols used in this guide



This is the safety alert symbol. It is used to alert you to potential personal injury hazards. Obey all safety messages that follow this symbol to avoid possible injury or death.

⚠ WARNING

WARNING indicates a hazardous situation which, if not avoided, could result in death or serious injury.

CAUTION

CAUTION, used without the safety alert symbol, indicates a hazardous situation which, if not avoided, could result in harm to your pet.

NOTICE

NOTICE is used to address safe use practices not related to personal injury.

⚠ WARNING

- Not for use with aggressive dogs. Do not use this product if your dog is prone to aggressive behaviour. Aggressive dogs can cause severe injury or death to their owners and others. If you are not sure that this product is right for your dog, please talk to your veterinarian or a certified trainer.
- Risk of electric shock. Use the Fence Transmitter indoors in dry location only.

CAUTION

- This PetSafe® Wireless Pet Containment System™ is NOT a solid barrier. The system is designed to act as a deterrent to remind pets by Static Stimulation to remain in the boundary established. It is important that you reinforce training with your pet on a regular basis. Since the tolerance level to Static Stimulation varies from pet to pet, Radio Systems Corporation CANNOT guarantee that the system will, in all cases, keep a pet within the established boundary. Not all pets can be trained to avoid crossing the boundary! Therefore, if you have reason to believe that your pet may pose a danger to others or harm himself if he is not kept from crossing the boundaries, you should NOT rely solely upon the PetSafe® Wireless Pet Containment System™ to confine your pet. Radio Systems Corporation shall NOT be liable for any property damage, economic loss or any consequential damages, sustained as a result of any animal crossing the boundary.
- Proper fit of the collar is important. A collar worn for too long or made too tight on the pet's neck may cause skin damage. Ranging from redness to pressure ulcers; this condition is commonly known as bed sores.
 - Avoid leaving the collar on the dog for more than 12 hours per day.
 - When possible reposition the collar on the pet's neck every 1 to 2 hours.
 - Check the fit to prevent excessive pressure; follow the instructions in this manual.
 - Never connect a lead to the electronic collar; it will cause excessive pressure on the contacts.
 - When using a separate collar for a lead, don't put pressure on the electronic collar.
 - Wash the dog's neck area and the contacts of the collar weekly with a damp cloth.
 - Examine the contact area daily for signs of a rash or a sore.
 - If a rash or sore is found, discontinue use of the collar until the skin has healed.
 - If the condition persists beyond 48 hours, see your veterinarian.
 - For additional information on bed sores and pressure necrosis, please visit our website.

CAUTION

These steps will help keep your pet safe and comfortable. Millions of pets are comfortable while they wear stainless steel contacts. Some pets are sensitive to contact pressure. You may find after some time that your pet is very tolerant of the collar. If so, you may relax some of these precautions. It is important to continue daily checks of the contact area. If redness or sores are found, discontinue use until the skin has fully healed.

- You may need to trim the hair in the area of the Contact Points. Never shave the dog's neck; this may lead to a rash or infection.
- Always remove your dog's Receiver Collar before performing any Transmitter testing.
- The Receiver Collar should not be on your dog when the system is tested. Your pet may receive an unintended stimulation.
- The Boundary Width of the system must be tested whenever an adjustment is made to the containment field to prevent unintended stimulations to your pet.
- If you use a collar and lead for training, be sure the extra collar does not put pressure on the contact points.
- Never remove power from the system when the collar is on the pet. This may activate the Receiver Collar.
- Radio Systems Corporation recommends the use of an Uninterruptible Power Supply (UPS) for use with your wireless fence. Should the power go out at your home, your pet will be unprotected. Power outages can be unpredictable, and the use of a UPS will provide you with some time to properly restrain your pet.

In rare instances, if your pet is near the boundary at the time when the power fails, it is possible that your pet will receive a stimulation. This stimulation will stop after a 30 second timeout period has been reached. This is due to the operation of the collar: the collar is activated by the absence of the containment signal.

While results will vary depending on the UPS manufacturer's specifications the following are typical examples to guide your choice of UPS:

- Using a 400 VA UPS a consumer should expect 3 hours of backup time.
- Using a 900 VA UPS a consumer could expect 8 hours of backup time.

If settings below maximum fence size are used, additional backup time will result. At minimum fence size settings backup time may be more than two times the backup time estimated at maximum fence size.

NOTICE

- To prevent an unintended stimulation, after the Boundary Flags have been placed, be sure to set the Static Stimulation on the Receiver Collar back to level 1 tone only.
- Do not place anything on the top of the Transmitter or cover any ventilation holes. This may overheat the Transmitter and cause early transmit failure.
- Do not place Transmitter in a closet or any other confined, unventilated area.

EN

FR

NL

ES

IT

DE

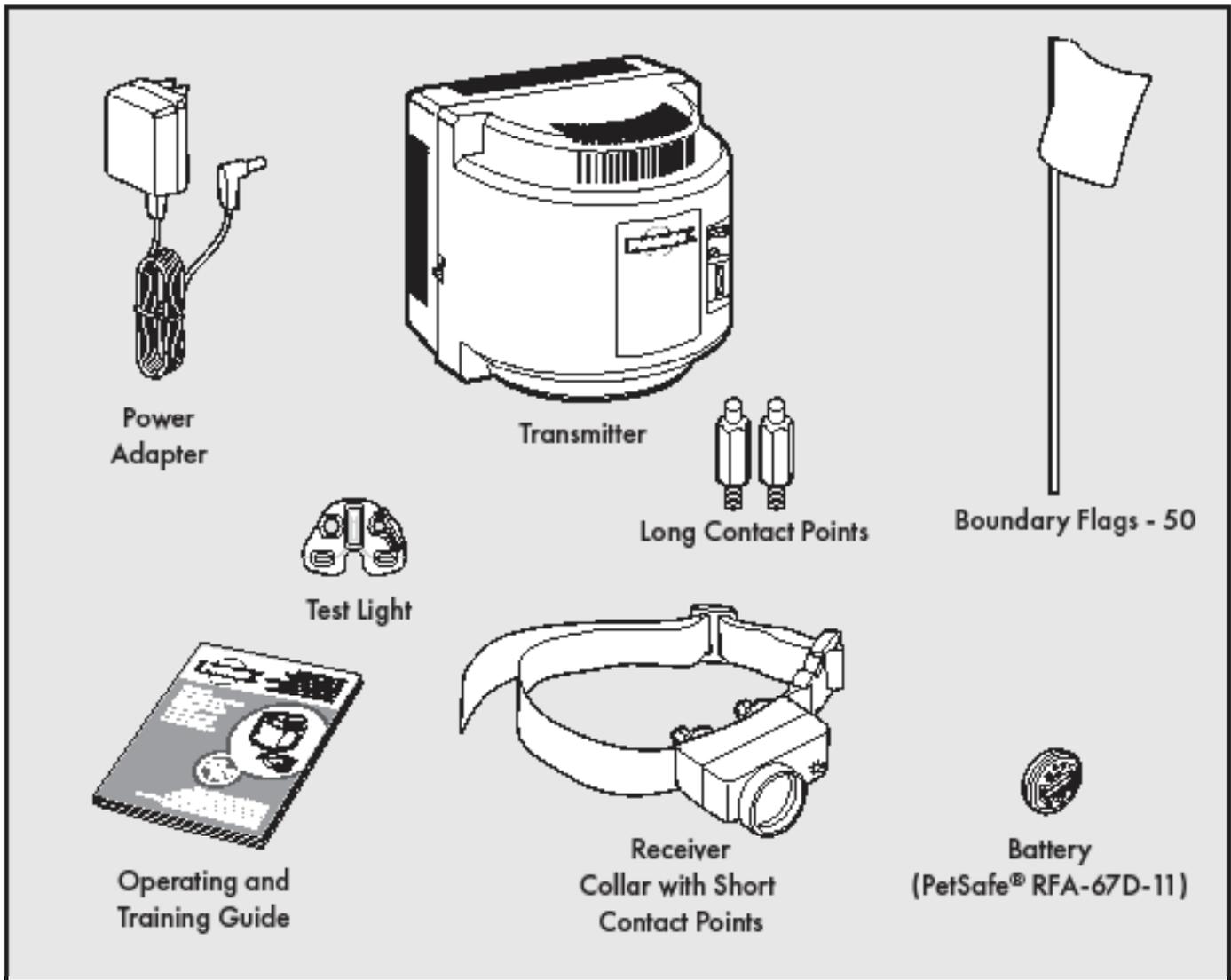
Thank you for choosing the PetSafe® brand. You and your pet deserve a companionship that includes memorable moments and a shared understanding together. Our products and training tools promote a lifestyle of protection, teaching, and love—essentials that influence memories for a lifetime. **If you have any questions about our products or training your pet, please visit our website at www.petsafe.net or contact our Customer Care Centre. For a listing of Customer Care Centre telephone numbers, visit our website at www.petsafe.net.**

To get the most protection out of your warranty, please register your product within 30 days at www.petsafe.net. By registering and keeping your receipt, you will enjoy the product's full warranty and should you ever need to call the Customer Care Centre, we will be able to help you faster. Most importantly, PetSafe® will never give or sell your valuable information to anyone. Complete warranty information is available online at www.petsafe.net.

Table of Contents

Components	5
Other Items You May Need	5
How the System Works	6
Key Definitions.....	6
Operating Guide	
Set Up the Transmitter	7
Prepare the Receiver Collar	8
Battery Contact Verification	9
Adjust the Pet Area to Desired Size	10
Transmitter Range Chart.....	11
Place the Boundary Flags	11
Fit the Receiver Collar	12
Training Guide	
Be Patient With Your Pet.....	13
Day 1 – Boundary Awareness	14
Days 2 thru 4 – Continue Boundary Awareness	15
Days 5 thru 8 – Distraction Phase.....	15
Days 9 thru 14 – Supervision Off the Lead	16
Days 15 thru 30 – Pet Monitoring	17
Taking Your Pet Out of the Pet Area	17
Wireless - To - Go.....	17
Accessories	17
Frequently Asked Questions.....	18
Troubleshooting	20
Re-synchronize the System.....	22
Battery Disposal.....	22
Compliance.....	23
Terms of Use and Limitation of Liability.....	23
Français	24
Nederlands	48
Español	72
Italiano	96
Deutsch	120
Mounting Template.....	144

Components



Other Items You May Need

- Pliers
- Scissors
- Lighter
- Drill & mounting hardware
- Tape measure
- Non-metallic collar and lead

How the System Works

The PetSafe® Wireless Pet Containment System™ has been proven safe, comfortable, and effective for all pets over 3.6 kg (8 lb). The system works by transmitting a radio signal up to 27.5 m (90 ft) in all directions. You temporarily define the Pet Area with Boundary Flags for a visual aid in training your pet. Your pet wears a Receiver Collar with Contact Points that touch his neck, and, once trained, is allowed to roam freely within the Pet Area. When your pet reaches the Boundary Zone, the Receiver Collar gives a warning beep before delivering a safe Static Stimulation through the Contact Points to get his attention until he returns to the Pet Area.

Key Definitions

Transmitter: Transmits the radio signal and is the centre of the Pet Area.

Pet Area: The area around the Transmitter where your pet can roam freely.

Boundary Zone: A 0.6 m to 1 m (2 ft to 3 ft) wide ring outside the Pet Area where your pet's Receiver Collar will begin to beep and then begin to deliver a Static Stimulation. The stimulation will start in the Boundary Zone and continue anywhere beyond the Pet Area. *Note: The Receiver Collar is equipped with a safety time-out feature that will stop correcting after 30 seconds if your pet remains outside the Pet Area.*

Receiver Collar: Receives the radio signal from the Transmitter.

Stimulation Level Button: Adjusts the level of Static Stimulation your pet receives outside the Pet Area.

Receiver Indicator Light: Indicates the level of stimulation at which the Receiver Collar is set. This light also serves as a low battery indicator.

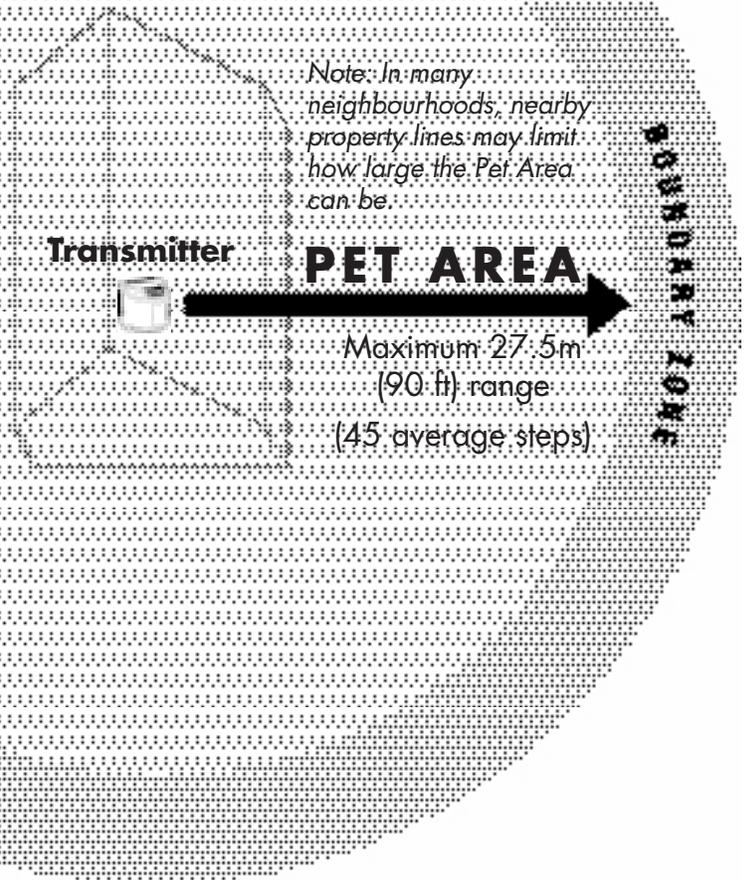
Contact Points: Deliver the safe Static Stimulation when your pet moves into the Boundary Zone.

Power Jack: Where the Power Adapter plugs into the Transmitter. The Transmitter is powered by a standard outlet.

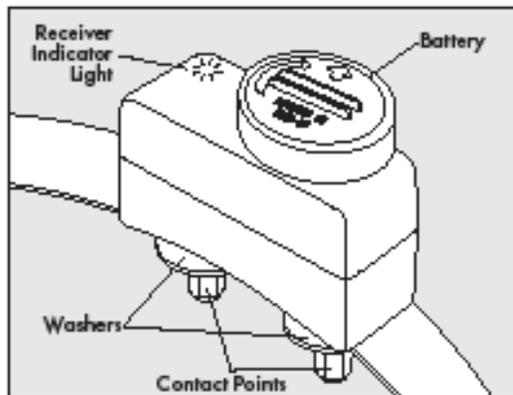
Boundary Switch: Adjusts the size according to the size of the Pet Area desired.

Power Light: Indicates when the Transmitter is on.

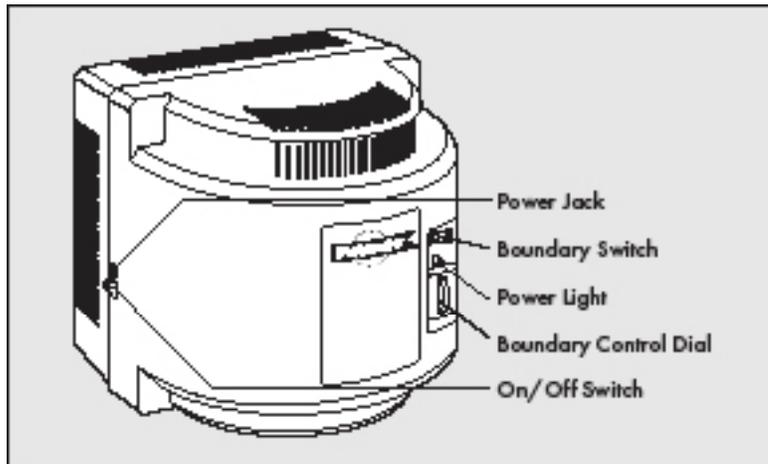
Boundary Control Dial: Adjusts the distance from the Transmitter to the Boundary Zone. *Note: Adjusting the dial does not change the level of Static Stimulation on the Receiver Collar.*



Receiver Collar



Transmitter



OPERATING GUIDE

STEP 1

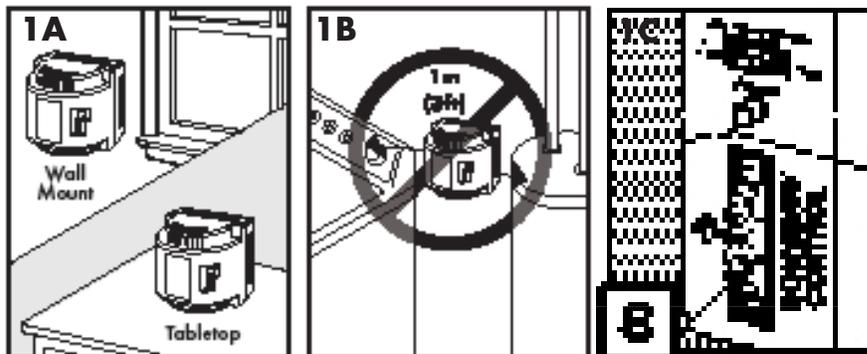
Set Up the Transmitter

Important: You may need to move the Transmitter several times before determining the final location.

The Transmitter is located at the exact centre of the desired Pet Area. Place the Transmitter:

- On the ground floor of your home and at least 60 cm (2 ft) above the floor.
- In a dry, well ventilated, protected area.
- In an area where temperatures do not fall below freezing (e.g., garage, basement, shed, cupboard).
- On a non-metal table or mount on a wall (**1A**). A mounting template is included on the back of this guide.
- At least 1 m (3 ft) from large metal objects, as these items may reduce the size and shape of your Pet Area (**1B**).

To maximize your Pet Area, make sure the Boundary Switch is on "High" and the Boundary Control Dial is set to "8" (**1C**). Plug Power Adapter into Power Jack and standard outlet. Turn the Transmitter on.



STEP 2

Prepare the Receiver Collar

Your Receiver Collar comes with short Contact Points installed. Use the long Contact Points for pets with long or thick hair. Remove and retighten the Contact Points using the Test Light Tool (**2A**). The Contact Points should be tightened one-half turn beyond finger tight. Check the tightness weekly.

To Insert and Remove the Battery

Note: Do not install the battery while the Receiver Collar is on your pet.

This process should be carried out within 1.5 m (5 ft) of the Transmitter.

The Receiver Collar utilizes a replaceable PetSafe® battery (RFA-67D-11). This unique battery is designed to make battery replacement easier and increase water protection.

To insert the battery, align the symbols on the battery (arrow) and Receiver Collar (triangle) (**2B**). Use the edge of the Test Light Tool (**2B**) to turn the battery clockwise until the arrow lines up with the lock symbol on the housing.

To remove the battery, turn the battery anti-clockwise using the edge of the Test Light Tool (**2C**). DO NOT attempt to cut into or pry open the battery. Be sure to discard the used battery properly.

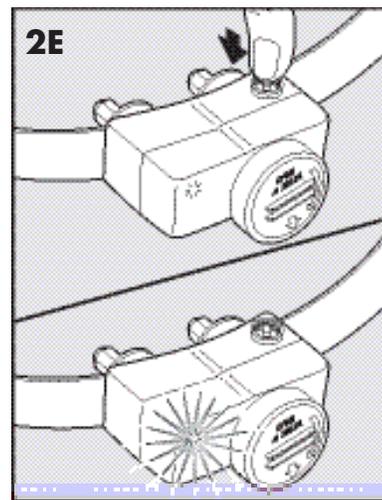
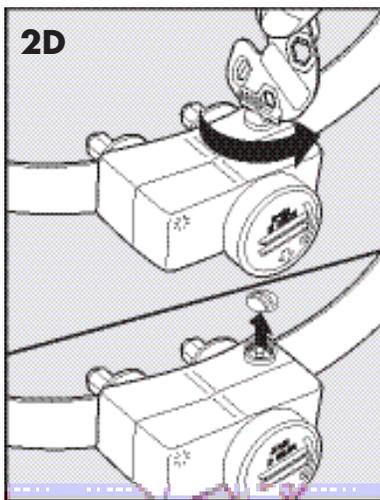
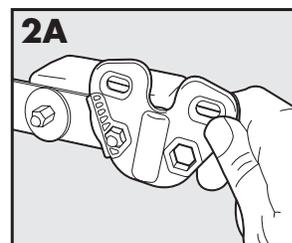
If the Receiver Indicator Light is flashing every 4 to 5 seconds, battery replacement is required. Remove the old battery from the Receiver Collar. Discharge all power by holding the Stimulation Level Button down until the light is no longer illuminated. Replace with a new battery.

A replacement PetSafe® battery (RFA-67D-11) can be found at many retailers. Contact the Customer Care Centre or visit our web site at www.petsafe.net to locate a retailer near you.

To Set the Static Stimulation Level

Read all the steps below before attempting to set the Static Stimulation Level. Refer to the Function and Response Table below for advice on setting the Static Stimulation Level that best suits your pet.

1. Remove the clear plastic cover with the edge of the Test Light Tool to expose the Stimulation Level Button (**2D**).
2. With the battery installed, press the Stimulation Level Button and release when the Receiver LED Indicator Light lights up (**2E**).
3. The Receiver LED Indicator Light will emit a series of flashes corresponding to the Static Stimulation Level.



4. Increase the Static Stimulation Level by pressing and releasing the Stimulation Level Button within 5 seconds of the previous series of flashes.
5. After setting the Static Stimulation Level, replace the cover to protect the Stimulation Level Button.

The Static Stimulation levels increase in strength from 1 to 6. Pushing the Stimulation Level Button while the Receiver Collar is on level 6 will cause the Receiver Collar to revert to level 1. Refer to the Function and Response Table to choose the Static Stimulation level that best fits your pet.

The Receiver LED Indicator Light acts as a low battery indicator, flashing every 4 to 5 seconds when replacement is required.

Battery Contact Verification

Remove Receiver Collar from your pet. Press the button and verify that the LED light illuminates. If the LED light does not come on remove the battery. Locate the metal tabs in the battery well. Gently lift the tabs to ensure that the battery will make good contact. Replace the battery into the Receiver Collar. Press the button and check that the LED light illuminates.

Function and Response Table

Indicator Light Response	Static Stimulation Level	Receiver Collar Function	Temperament of Pet
1 Flash	1	No Static Stimulation, Tone Only	
2 Flashes	2	Low Static Stimulation	Timid
3 Flashes	3	Medium-Low Static Stimulation	Timid or Average
4 Flashes	4	Medium Static Stimulation	Average Energy
5 Flashes	5	Medium-High Static Stimulation	Average or High Energy
6 Flashes	6	High Static Stimulation	High Energy
Flashes once every 4 to 5 seconds		Indicates Low Battery	

Over Stimulation Protection

If your pet enters the Boundary Zone or continues anywhere beyond the Pet Area, this feature limits the Static Stimulation duration to 30 seconds.

In the unlikely event that your pet leaves the Pet Area, he will not receive a Static Stimulation upon return to the Pet Area.

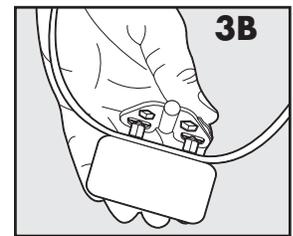
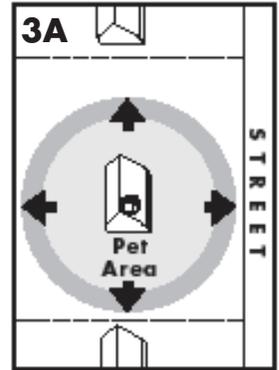
STEP 3

Adjust the Pet Area to Desired Size

Make sure the entire Pet Area lies within your property boundaries (**3A**). Always start determining the Boundary Zone at the shortest distance from Transmitter. Place the Boundary Switch on "High" for Boundary Zones more than 13.5 m (45 ft) from the Transmitter. For Boundary Zones below this distance place the Boundary Switch on "Low."

Make sure the Receiver Collar battery is properly installed, the Static Stimulation level is set at 2 or greater, and the Test Light Contacts are touching the Contact Points (**3B**).

Note: If your next-door neighbor has an In-Ground containment system, see Troubleshooting section page 20.



Test Light Instructions

1. Set the Stimulation Level to 2 or above.
2. Hold the Test Light Contacts to the Contact Points.
3. Walk toward the Boundary Zone holding the Receiver collar at your pet's neck level until the Test Light flashes.

Save Test Light for future testing.

Note: If the Test Light does not flash, install a new battery and re-test. If Test Light still does not flash, contact the Customer Care Centre or visit our website at www.petsafe.net.

To maximize your Pet Area, make sure the Boundary Switch is on "High" and the Boundary Control Dial is set to "8". Plug Power Adapter into Power Jack and standard outlet.

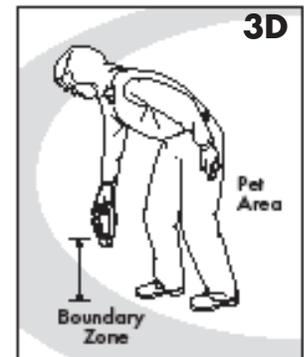
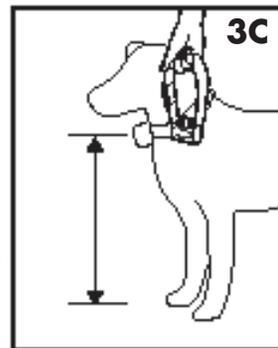
Two-Person Method

Hold the Receiver Collar at your pet's neck height (**3C**) with the Petsafe logo facing away from the Transmitter. Walk to the edge of the desired Pet Area. Facing away from the Transmitter, hold the Receiver Collar at the edge of the desired Pet Area (**3D**).

Starting with the Boundary Control Dial set to "8", have a second person turn the dial down SLOWLY. When the Receiver Collar starts to beep, tell the person to stop turning the Boundary Control Dial. Record your settings below for future reference.

One-Person Method

Measure the shortest distance from the desired Boundary Zone to the Transmitter. Find the distance on the Transmitter Range Chart on page 11 and set the Boundary Switch and Boundary Control Dial. Hold the Test Light Contacts to the Contact Points (**3B**). Take the Receiver Collar to the Boundary Zone with the logo side facing away from the Transmitter and Contact Points facing upwards (**3C**). Hold the Receiver Collar at your pet's neck level (**3D**) until the Receiver Collar beeps and the Test Light flashes. If the Receiver Collar beeps before or after the desired Boundary Zone, return to the Transmitter and adjust the Boundary Control Dial. Repeat this process until the Receiver Collar is beeping at the desired location. Record your settings on page 11 for future reference.



Transmitter Range Chart (Note: These distances are approximate.)

Boundary Control Dial Position	Boundary Switch LOW	Boundary Switch HIGH
1	1.5 m to 3 m (5 ft to 10 ft)	1.5 m to 3 m (5 ft to 10 ft)
2	1.5 m to 3 m (5 ft to 10 ft)	1.5 m to 3 m (5 ft to 10 ft)
3	4.5 m to 6 m (15 ft to 20 ft)	7.5 m to 10.5 m (25 ft to 35 ft)
4	6 m to 7.5 m (20 ft to 25 ft)	12.5 m to 16.5 m (42 ft to 55 ft)
5	7.5 m to 9 m (25 ft to 30 ft)	16.5 m to 19.5 m (55 ft to 65 ft)
6	10.5 m to 12 m (35 ft to 40 ft)	23 m to 26 m (75 ft to 85 ft)
7	12 m to 13.5 m (40 ft to 45 ft)	26 m to 27.5 m (85 ft to 90 ft)
8	12 m to 13.5 m (40 ft to 45 ft)	26 m to 27.5 m (85 ft to 90 ft)

Record Your Settings

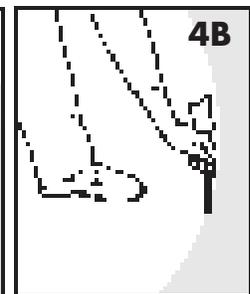
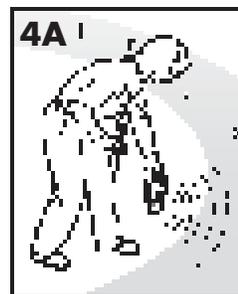
	Final Boundary Switch Setting (HIGH or LOW)	Final Boundary Control Dial Position (1-8)	Receiver Static Stimulation Level (1-6)
Home			
Camping			
Vacation			
Other			

STEP 4

Place the Boundary Flags

The Boundary Flags are visual reminders for your pet of where the Boundary Zone is located. The Receiver Collar will activate within 0.6 m to 1 m (2 ft to 3 ft) of the Boundary Flags.

- Using the Test Light, with the Static Stimulation Level set at 2 or greater, hold the Receiver Collar at your pet's neck height with the PetSafe® logo facing away from the Transmitter.
- Walk towards the Boundary Zone until the Receiver Collar beeps and the Test Light flashes (**4A**).
- Place a Boundary Flag in the ground (**4B**).
- Walk back into the Pet Area until the beeping stops.
- Repeat this process around the Boundary Zone until it is marked with Boundary Flags every 3 m (10 ft).

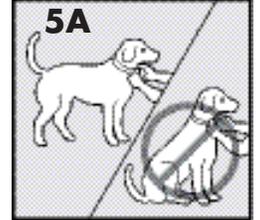


The Boundary Flags may be in different parts of the Boundary Zone and may not be in a line. The Boundary Zone is 0.6 m to 1 m (2 ft to 3 ft) wide.

STEP 5

Fit the Receiver Collar

Important: The proper fit and placement of your Receiver Collar is important for effective training and the Safety of your pet. The Contact Points must have direct contact with your pet's skin on the underside of his neck.



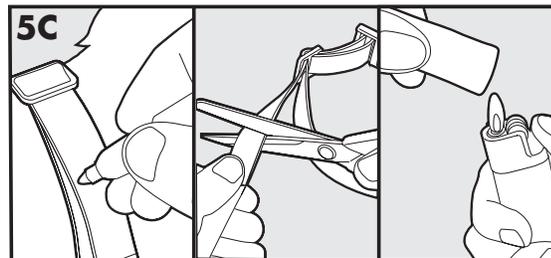
To assure a proper fit, please follow these steps:

1. Make sure that the battery is not installed in the Receiver Collar.
2. Start with your pet standing comfortably (**5A**).
3. To make it easier to hear the warning beep, place the Receiver Collar on your pet with the PetSafe® logo side of the Receiver facing up.
4. Centre the Contact Points underneath your pet's neck, touching the skin. If your pet has a long or thick coat, use the enclosed long Contact Points to reach through the hair.

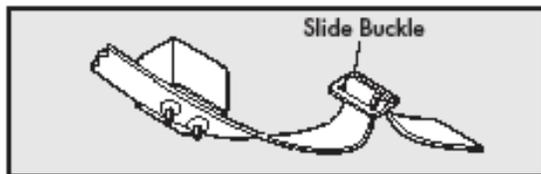
CAUTION

You may need to trim the hair in the area of the Contact Points. Never shave the dog's neck; this may lead to a rash or infection.

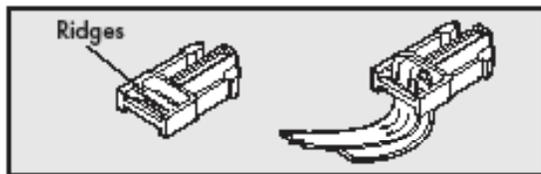
5. Check the tightness of the Receiver Collar by inserting one finger between the end of a Contact Point and your pet's neck. The fit should be snug but not constricting (**5B**).
6. Allow your pet to wear the collar for several minutes then recheck the fit. Check the fit again as your pet becomes more comfortable with the Receiver Collar.
7. Trim the collar as follows (**5C**):
 - a. Mark the desired length of the Receiver Collar with a pen. Allow for growth if your pet is young or grows a thick winter coat.
 - b. Remove the Receiver Collar from your pet and cut off the excess.
 - c. Before placing the Receiver Collar back onto your pet, seal the edge of the cut collar by applying a flame along the frayed edge.
8. Put battery in Receiver Collar.



To Re-Thread the Collar



The slide buckle prevents the collar from becoming loose around your pet's neck.



The ridges must be facing up; the collar will slip if it is not properly threaded.

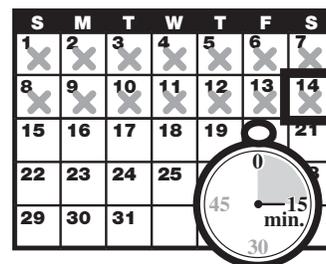


TRAINING GUIDE

Be Patient With Your Pet

Important: Proper training of your pet is essential to the success of the PetSafe® Wireless Pet Containment System™. Read this section completely before beginning to train your pet. Remember that the PetSafe® Wireless Pet Containment System™ is not a solid barrier.

- Have fun with your pet throughout the training process. Training should be fun, fair, firm and consistent.
- Train for 10 to 15 minutes at a time. Don't try to do too much too quickly. More-frequent short sessions are better than less-frequent longer sessions.
- We suggest a minimum of 14 days of training. Depending on your pet and how he learns, the training could take more or less time.
- If your pet shows signs of stress, slow down the training schedule, add additional days of training, or increase the amount of play time with your pet in the Pet Area. Common stress signals include:
 - Pet pulling on lead toward the house
 - Ears tucked
 - Tail down
 - Body lowered
 - Nervous / frantic movement or stiffening of pet's body
- Your pet must be completely comfortable near the Boundary Flags at the end of every training session. Spend at least 5 minutes of "play time" at the completion of each session within 3 m (10 ft) of the Boundary Flags.
- Finish each training session on a positive note with lots of praise and play.
- Remove the Receiver Collar after each training session.
- Be sure to contain your pet by another means during the training period.



- During training, if you need to take your pet out of the Pet Area, remove the Receiver Collar and either pick your pet up or put him in the car to pass out of the Pet Area.
- Even if you think your pet is responding well to the training, complete the entire training. Reinforcement is important!

PHASE 1

Day 1 - Boundary Awareness

Perform three sessions on day 1, each training session lasting 10 to 15 minutes.

Goal:

To have your pet learn that the Boundary Flags and warning beep from the Receiver Collar define the new Pet Area.

Setup:

- Program the static stimulation level on the Receiver Collar to level 1, tone only training mode.
- Put a separate non-metallic collar on your pet's neck ABOVE the Receiver Collar and attach a lead.

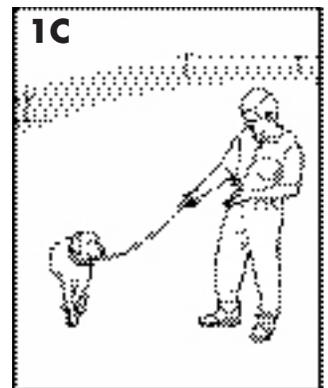
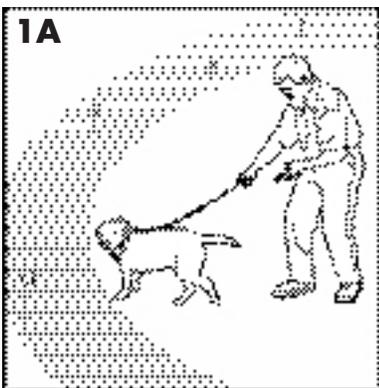
CAUTION

Be sure the extra collar does not put pressure on the Contact Points.

- Have tiny pieces of treats that your pet will find desirable available.
- Have your pet's favourite play toy available.

Steps:

1. Begin by walking your pet on a lead in the Pet Area. Calmly praise and talk to your pet.
2. Move toward the Boundary Flags (**1A**). Keep your mood happy.
3. With full control of your pet on a lead, walk to the flags. As your pet enters the Boundary Zone, the Receiver Collar will begin to tone (**1B**). Allow your pet to stay in the Boundary Zone for up to 2 seconds then gently help him back into the Pet Area (**1C**). Immediately praise and offer your pet a treat as he enters the Pet Area, even if you have helped with the lead.
4. Repeat this process at the same Boundary Flag until your pet resists going into the Boundary Zone.
5. Aim to master 3 to 4 Boundary Flags per session. Make this FUN! Praise if your pet quickly retreats or resists going into the Boundary Zone.



PHASE 2

Days 2 thru 4 - Continue Boundary Awareness

Perform three sessions per day, each lasting 10 to 15 minutes.

Goal:

To train your pet to stay in the Pet Area and respect the boundary while you are outside of it.

Setup:

- Program the static stimulation level on the Receiver Collar to level 2.
- Put a separate non-metallic collar on your pet's neck ABOVE the Receiver Collar and attach a lead.

CAUTION

Be sure the extra collar does not put pressure on the Contact Points.

- Have tiny pieces of treats available.
- Have your pet's favourite play toy available.

Steps:

1. Repeat steps 1 through 5 in Phase One.
2. If your pet does not respond to the Static Stimulation, confirm that the Receiver Collar is fitting properly according to Step 5 on page 12.
3. If the Receiver Collar is fitted properly and your pet does not respond to the Static Stimulation, increase the Static Stimulation Level by 1. Watch for slight reactions at first such as ears up, head turned, looking at the ground.
4. Stay at the same flag until your pet resists going into the Boundary Zone.

PHASE 3

Days 5 thru 8 - Distraction Phase

Perform three training sessions per day, each lasting 10 to 15 minutes.

Goal:

To train your pet to stay within the Pet Area with distractions outside of the Pet Area.

Setup:

- Program the static stimulation level on the Receiver Collar to level 2 or higher depending on your pet's response to days 2 through 4.
- Put a separate non-metallic collar on your pet's neck ABOVE the Receiver Collar and attach a lead.

CAUTION

Be sure the extra collar does not put pressure on the Contact Points.

- Have tiny pieces of treats available.

- Have your pet's favourite play toy available.
- Create distractions to tempt your pet to enter the Boundary Zone, such as:
 - Have a family member cross from inside the Pet Area to outside of it.
 - Throw a ball outside of the Pet Area.
 - Have a neighbor walk their pet outside of the Pet Area.
- Gradually increase distraction level. **Never coax or call your pet out of the Pet Area.**

Steps:

1. With full control of your pet on a lead, have the distraction presented.
2. If your pet does not move toward the distraction, praise and offer a treat.
3. If your pet does react to the distraction, allow him to go into the Boundary Zone.
4. Help your pet back into the Pet Area if he does not turn back after 2 seconds.
5. Treat and praise your pet anytime he comes back into the Pet Area with or without help.
6. Repeat this process with other distractions. Use other family members during this process.
7. If your pet does not respond to the Static Stimulation, confirm that the Receiver Collar is fitting properly according to Step 5 on page 12.
8. If the Receiver Collar is fitted properly and if your pet does not respond to the Static Stimulation, increase the Static Stimulation Level by 1.

PHASE 4

Days 9 thru 14 - Supervision Off the Lead

Training sessions should start at 10 to 15 minutes, gradually increasing to over an hour.

Your pet is ready for this step only when he clearly avoids the entire Boundary Zone, regardless of any distractions or temptations. During this step, do not leave your pet unattended.

Goal:

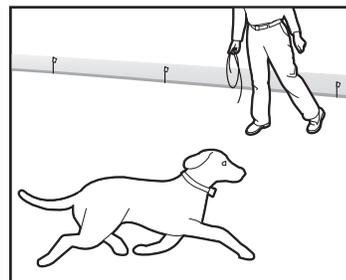
To give your pet free run of the Pet Area off the lead.

Setup:

Adjust the Receiver Collar to the permanent setting appropriate for your pet depending on his size and temperament.

Steps:

1. Enter the Pet Area with your pet wearing the Receiver Collar.
2. Walk around the garden and play with your pet, staying within the Pet Area at all times.
3. Preoccupy yourself with another task in the garden while watching your pet.
4. Should your pet escape, take the Receiver Collar off or turn the system off at the Fence Transmitter and lead him back into the Pet Area.



PHASE 5

Days 15 thru 30 - Pet Monitoring

Your pet is ready to run! Check in on your pet at regular intervals.

Note: After you are satisfied your pet's training is complete, remove every other Boundary Flag every 4 days until all flags are removed. Save Boundary Flags for future use.

Taking Your Pet Out of the Pet Area

Important: Remove the Receiver Collar and leave it in the Pet Area.

Once your pet learns the Boundary Zone, he will be reluctant to cross it for walks or car rides.

Option 1: Replace the Receiver Collar with a regular collar. Put your pet in a car that is within the Pet Area and drive him out of the Pet Area.

Option 2: Replace the Receiver Collar with a regular collar and lead. Walk your pet out of the Pet Area while giving a command such as "OK" at a specific place of the Boundary Zone (the end of your driveway, sidewalk, etc.). Always leave the Pet Area with a lead at this place and your pet will associate leaving the Pet Area only on a lead, only at this place, and only with a person. You may initially need to convince your pet to leave the Pet Area with a food treat and lots of praise.

Note: You may also carry your pet out of the Pet Area.



Wireless - To - Go

Your PetSafe® Wireless Pet Containment System™ is completely portable. Follow the set-up procedures (steps 1 through 4) wherever you wish to have containment of your pet. Reestablish the Pet Area and mark it with Boundary Flags so your pet knows his Boundary Zone. Note: If setting up in a metal building or vehicle, the maximum size of the Pet Area may be reduced. Be sure to remove the Receiver Collar battery before turning off the Transmitter. If you want to power the Transmitter from a car or other DC source, use an inverter rated for 50 watts or more.

Accessories

To purchase additional accessories for your PetSafe® Wireless Pet Containment System™, visit our website at www.petsafe.net to locate a retailer near you and for a listing of Customer Care Centre telephone numbers in your area.

Frequently Asked Questions

<p>How old does my pet have to be before starting training on the PetSafe® Wireless Pet Containment System™?</p>	<ul style="list-style-type: none"> • Because all pets are different, training on this system can be started once your pet can learn basic obedience commands like "sit" and "stay". The system should only be used with pets who are over 6 months of age. If your pet is injured or its mobility is otherwise impaired, contact your veterinarian or professional trainer before use.
<p>Is the Receiver Collar waterproof?</p>	<ul style="list-style-type: none"> • Yes. When changing the battery, be sure to keep the battery area dry and free from dirt and debris.
<p>Will the PetSafe® Wireless Pet Containment System™ cover a larger circle than 55 m (180 ft) across?</p>	<ul style="list-style-type: none"> • You can use another Wireless Transmitter with overlapping boundaries of at least 2 m to 3 m (5 ft to 10 ft) to get a larger Pet Area.
<p>Will a sloping garden affect the Pet Area?</p>	<ul style="list-style-type: none"> • The Transmitter signal extends 27.5 m (90 ft) in all directions. A sloping garden can cause the Pet Area to appear less or more than expected. Consider repositioning the Transmitter to maximize your Pet Area.
<p>Can I use more than one Receiver Collar with the Wireless System?</p>	<ul style="list-style-type: none"> • Yes. There is no limit to the number of pets you can contain with the Wireless System. You must purchase an additional Receiver Collar for each pet. Contact the Customer Care Centre or visit our website at www.petsafe.net to locate a retailer near you.
<p>Will the Wireless System keep other pets out of my garden?</p>	<ul style="list-style-type: none"> • No. The Wireless System is only effective on pets who wear the Receiver Collar.
<p>Is there a hand-held remote Transmitter that will work with the Wireless System Receiver Collar?</p>	<ul style="list-style-type: none"> • No. You would need to purchase a separate Remote Training System. Contact the Customer Care Centre or visit our website at www.petsafe.net to locate a retailer near you.
<p>Is there a smaller Receiver Collar or another compatible Receiver Collar that I can use with the Wireless Transmitter?</p>	<ul style="list-style-type: none"> • No. Contact the Customer Care Centre or visit our website at www.petsafe.net for additional ideas or solutions.
<p>If I have a question about my Wireless System or need replacement parts, where can I get answers or service?</p>	<ul style="list-style-type: none"> • Contact the Customer Care Centre or visit our web site at www.petsafe.net.
<p>Can I use the Wireless System on an aggressive pet?</p>	<ul style="list-style-type: none"> • We do not recommend using any electronic training devices on aggressive pets. If you are unsure if your dog is aggressive, please consult your veterinarian or a certified trainer.
<p>Can I use the Wireless System on a cat?</p>	<ul style="list-style-type: none"> • The Wireless System can be used as long as the cat can comfortably wear the Receiver Collar.

What happens if the power goes out?	<ul style="list-style-type: none"> • The Wireless System is designed to recognize power cuts and shuts down without activating the Receiver Collar. However, if your pet is near the Boundary Zone during the power failure, he may receive a Static Stimulation. To lessen this chance, you may consider a battery back-up device for the Transmitter if your area experiences frequent power cuts.
What can happen if I turn off or unplug the Transmitter power?	<ul style="list-style-type: none"> • If your dog is wearing the Receiver Collar, he may receive an unintended stimulation. Always remove your dog's Receiver Collar before removing power from the Transmitter or before performing any Transmitter testing.
What if I lose the clear plastic cover for the Stimulation Level Button?	<ul style="list-style-type: none"> • The clear plastic cover prohibits the Static Stimulation Level from accidentally being changed and also helps keep the Receiver waterproof. Contact the Customer Care Centre for a replacement.
If my pet leaves the Pet Area, for how long will he be corrected?	<ul style="list-style-type: none"> • Your pet will receive Static Stimulation as long as he is outside the Pet Area, for up to 30 seconds. The Receiver Collar has a safety time-out to stop correcting and beeping after 30 seconds until it is returned to the Pet Area.
How often do I need to replace the Receiver Collar battery?	<ul style="list-style-type: none"> • Battery life depends on how frequently your pet tests the Boundary Zone. The Receiver Indicator Light acts as a low battery indicator, flashing every 4 to 5 seconds when replacement is required.
Can I place the Receiver on another collar?	<ul style="list-style-type: none"> • Yes, any non-metallic collar. Make 2 holes in the collar to attach the Receiver. Use the collar in the kit as a template to locate the holes on the new collar.
Do I need to perform maintenance on my Wireless System?	<ul style="list-style-type: none"> • Check your pet's neck daily for irritation from the Contact Points. • Check the Contact Points on the Receiver Collar weekly to make sure they are tight and clean. • Check the fit of the Receiver Collar weekly. • The Receiver Indicator Light acts as a low battery indicator, flashing every 4 to 5 seconds when replacement is required.
How do I know the battery in the Receiver Collar is still working?	<ul style="list-style-type: none"> • Take the Receiver Collar off your pet and walk into the Boundary Zone. The Receiver Collar should beep. If not, replace the battery.
Will vehicles, buildings, and landscape features (trees, shrubs, etc.) affect the performance of the Wireless System?	<ul style="list-style-type: none"> • Yes. Placing the Transmitter inside a metal building can reduce the maximum range of the Wireless System. • Parking a vehicle within the Pet Area, can reduce the range of the system and cause your pet to receive a Static Stimulation where it otherwise would not if the vehicle was not there. • Fixed large metal objects such as metal sheds can affect the signal by reducing the maximum range of the system at the location of the object. As a result, your pet may receive a Static Stimulation.

What do I do if my pet's neck becomes red and irritated?	<ul style="list-style-type: none"> • This condition is due to the Contact Points irritating the skin. Discontinue use of the Receiver Collar for a few days. If the condition persists beyond 48 hours, see your veterinarian. Once the skin returns to normal, replace the Receiver Collar and monitor the skin condition closely.
Can I attach a lead to the Receiver Collar?	<ul style="list-style-type: none"> • No. This can result in pulling the Contact Points too tightly against your pet's neck. Attach a lead to a separate, non-metallic collar positioned above the Receiver Collar.
Why does my Receiver Collar have a beep only mode?	<ul style="list-style-type: none"> • The beep only mode can be used in training your pet to his boundary or for well-trained pets that no longer require Static Stimulation.

Troubleshooting

The Receiver Collar is not beeping when setting up the Boundary Zone.	<ul style="list-style-type: none"> • The beep may be difficult to hear in a noisy environment. • Install the Test Light as explained in the "Test Light Instructions" section, and use it to determine the location of Boundary Zone. • Check that the Transmitter is set up according to directions and install a new Receiver Collar battery within 1.5 m to 3 m (5 ft to 10 ft) of the Transmitter. • Re-Synchronize the System (page 22).
The Receiver Collar is not beeping or administering a Static Stimulation.	<ul style="list-style-type: none"> • Check that the Transmitter is plugged into a working outlet, turned on, the Power Light is on, and the Transmitter controls are set at your desired settings. • Check Receiver battery to make sure it is installed properly. • When replacing the Receiver Collar battery, do so within 1.5 m to 3 m (5 ft to 10 ft) of the Transmitter. • Re-Synchronize the System (page 22).
The Receiver Collar is beeping everywhere.	<ul style="list-style-type: none"> • Check that the Transmitter is plugged into a working standard outlet, turned on, the Power Light is on, and the Transmitter controls are set at your desired settings. • Bring Receiver Collar within 1.5 m to 3 m (5 ft to 10 ft) of the Transmitter to reset. • Re-Synchronize the System (page 22).
The Receiver Collar is beeping inside the house.	<ul style="list-style-type: none"> • Make sure the Transmitter is on and set up according to the directions. • Ensure the entire house is within the Pet Area. The Transmitter may need to be moved to adjust the Pet Area to include the entire house. • If relocating the Transmitter, remove the Receiver Collar from your pet before turning the Transmitter off.

<p>My pet is receiving a Static Stimulation in his metal crate.</p>	<ul style="list-style-type: none"> • The Receiver Collar activates when it loses the Transmitter signal. The metal crate may block the Transmitter signal which causes the Receiver Collar to activate. • Remove the Receiver Collar from your pet when placing him in his metal crate.
<p>The Boundary Zone seems to fluctuate.</p>	<ul style="list-style-type: none"> • This is normal for the electro magnetic field of the Wireless System. The field may be affected by surrounding "electronic noise," which can cause it to fluctuate up to 5%. • Where the Receiver Collar activates is influenced by the speed and orientation of the Receiver Collar as your pet enters the Boundary Zone.
<p>The Receiver Collar activates in the middle of the garden.</p>	<ul style="list-style-type: none"> • The Receiver Collar activates when it loses the Transmitter signal. This sometimes occurs if a large metal object is between the Receiver Collar and Transmitter, if the orientation of the Receiver Collar changes near the Boundary Zone, or if the surrounding "electronic noise" interferes with the signal. If this continues to occur, consider relocating the Transmitter and resetting the Pet Area. • Re-Synchronize the System (page 22).
<p>The Receiver Collar is beeping but my pet is not responding to the Static Stimulation.</p>	<ul style="list-style-type: none"> • Make sure the Static Stimulation Level is set at 2 or above. • Test the Receiver Collar with the Test Light. • If the Test Light flashes, check the fit of the Receiver Collar. • Trim your pet's fur where the Contact Points touch the neck and/or switch to the longer Contact Points. • Increase the Static Stimulation Level. • Repeat training steps to reinforce training.
<p>My pet reacts strongly to the Static Stimulation and has become fearful.</p>	<ul style="list-style-type: none"> • Lower the Static Stimulation Level. • Make sure you are in control of the situation when your pet receives his first Static Stimulations (have him on a lead attached to a separate, non-metallic collar) and lead him into the Pet Area and praise him. If your pet remains fearful, suspend training and start again the next day. Make sure to end all training sessions on a positive note with lots of praise and play.
<p>The Power Light is not on.</p>	<ul style="list-style-type: none"> • Make sure the Transmitter On/Off Switch is on and the Power Adapter is plugged into the Transmitter and a working standard outlet.
<p>I was setting up the Pet Area and after I turned down the Boundary Control Dial, the Receiver Collar would no longer beep or correct.</p>	<ul style="list-style-type: none"> • You may have turned the Boundary Control Dial down too quickly, causing the Receiver Collar to go into power-fail mode. This is a safety feature designed to protect your pet when power to the Transmitter goes out. With the Receiver Collar within 1.5 m to 3 m (5 ft to 10 ft) of the Transmitter, turn the Boundary Control Dial to "8" and reset the Boundary Zone, making sure to turn the dial down slowly.

<p>My next-door neighbor has an In-Ground Containment System and the Receiver Collar does not activate near their property.</p>	<ul style="list-style-type: none"> • Your neighbor's In-Ground Fence signal may interfere with the operation of the Receiver Collar preventing activation close to their fence. To minimize the interference, reduce the size of the Pet Area or move the Transmitter away from the In-Ground Fence System. • Adjust the Pet Area so that the Receiver Collar activates for at least 1.5 m (5 ft) beyond the reduced Boundary setting when walking towards the In-Ground Fence.
<p>The Receiver Collar has injured my pet's neck.</p>	<p>Failing to follow the important safety information at the front of the Operating and Training Guide has caused pressure ulcers. Some descriptions of advanced pressure ulcers describe the sores as looking like burns on the dog's neck. Be assured that electronic collars do not use enough energy to create electrical burns. The energy in an output pulse is only a few thousandths of a Joule; it is similar in nature to the static pulse that you may feel when getting out of your car. In some cases, pressure ulcers are described as chemical burns. The RFA-67D-11 battery is sealed when installed in the Receiver Collar housing. This sealing makes it virtually impossible, without misuse or abuse, for your Receiver Collar battery to leak onto your pet's neck. Please review and follow the important safety information on page 2, and the instructions in Step 5 under the heading "Fit the Receiver Collar".</p>

Re-synchronize the System

1. Remove the Receiver Collar from your pet.
2. Remove the battery from the Receiver Collar. Discharge all power by holding the Stimulation Level Button down until the LED is no longer illuminated.
3. At the transmitter, move the Boundary Switch from the low to the high position.
4. Slowly adjust the Boundary Control Dial up to 8, down to 1 and then back to the #4 position.
5. Standing within 1.5 m to 3 m (5 ft to 10 ft) of the Transmitter, reinsert the battery into the Receiver Collar.
6. Test the Boundary and verify operation by walking out into the Pet Area until your Receiver Collar responds. With the Transmitter set to 4, it should activate approximately 12 m to 15 m (40 ft to 50 ft) away.

Once you are confident that the system is working, reset the Transmitter controls to the original setting.



Battery Disposal

This device operates on one battery of the type Lithium 6-Volt with 240 mAH capacity. Replace only with equivalent battery received from calling the Customer Care Centre. For a listing of Customer Care Centre telephone numbers, visit our website at www.petsafe.net. Separate collection of spent batteries is required in many regions; check the regulations in your area before discarding spent batteries. Please see page 8 for instructions on how to remove the battery from the product for separate disposal.



Important Recycling Advice

Please respect the Waste Electrical and Electronic Equipment regulations in your country. This equipment must be recycled. If you no longer require this equipment, do not place it in the normal municipal waste system. Please return it to where it was purchased in order that it can be placed in our recycling system. If this is not possible, please contact the Customer Care Centre for further information.

Compliance

CE - Europe

This equipment has been tested and found to comply with the EU R&TTE Directive. Before using this equipment outside the EU countries, check with the relevant local R&TTE authority. Unauthorised changes or modifications to the equipment that are not approved by Radio Systems Corporation may violate EU R&TTE regulations, could void the user's authority to operate the equipment, and will void the warranty.

Hereby, Radio Systems Corporation, declares that this PIF-300-21 Wireless Pet Containment System™ is in compliance with the essential requirements and other relevant provisions of Directive 1999/5/EC. The Declaration of Conformity can be found at: http://www.petsafe.net/customer-care/eu_docs.php.

IC- Canada

This device complies with Industry Canada licence-exempt RSS standard(s). Operation is subject to the following two conditions: (1) this device may not cause interference, and (2) this device must accept any interference, including interference that may cause undesired operation of the device.

ACMA- Australia

This device complies with the applicable EMC requirements specified by the ACMA (Australian Communications and Media Authority).

Terms of Use and Limitation of Liability

1. Terms of Use

This Product is offered to you conditionally upon your acceptance without modification of the terms, conditions and notices contained herein. Usage of this Product implies acceptance of all such terms, conditions, and notices.

2. Proper Use

This Product is designed for use with pets where training is desired. The specific temperament of your pet may not work with this Product. If you are unsure whether this is appropriate for your pet please consult your veterinarian or certified trainer.

3. No Unlawful or Prohibited Use

This Product is designed for use with pets only. This pet training device is not intended to harm, injure or provoke. Using this Product in a way that is not intended could result in violation of National or local laws.

4. Limitation of Liability

In no event shall Radio Systems Corporation be liable for any direct, indirect, punitive, incidental, special or consequential damages, or any damages whatsoever arising out of or connected with the use or misuse of this Product. Buyer assumes all risks and liability from the use of this Product.

5. Modification of Terms and Conditions

Radio Systems Corporation reserves the right to change the terms, conditions and notices under which this Product is offered.

CONSIGNES DE SÉCURITÉ IMPORTANTES

Description des termes et symboles utilisés dans ce manuel



Ce symbole est une alerte de sécurité. Il est utilisé pour vous alerter des risques de blessures. Veuillez respecter tous les messages de sécurité qui suivent ce symbole pour éviter tout risque de blessure ou de décès.

⚠ AVERTISSEMENT

AVERTISSEMENT indique une situation dangereuse qui, si elle n'est pas évitée, pourrait entraîner la mort ou des blessures graves.

ATTENTION

ATTENTION, utilisé sans le symbole d'alerte de sécurité, indique une situation dangereuse qui, si elle n'est pas évitée, pourrait blesser votre animal.

AVIS

AVIS, indique les pratiques qui ne sont pas relatives aux blessures corporelles.

⚠ AVERTISSEMENT

- Ne pas utiliser avec les chiens agressifs. Ne pas utiliser ce produit si votre chien est agressif ou s'il a tendance à l'être. Les chiens agressifs peuvent provoquer chez leur maîtres ou autrui des blessures graves ou la mort. Si vous n'êtes pas certain que ce produit convient pour votre chien, veuillez demander l'avis de votre vétérinaire ou d'un dresseur qualifié.
- Risque d'électrocution. Utilisez l'émetteur de clôture uniquement à l'intérieur dans un endroit sec.

ATTENTION

- Ce système n'est PAS une barrière matérielle. Ce système est conçu pour rappeler à votre chien qu'il doit rester dans le périmètre autorisé via stimulations électrostatiques. Il est important d'entretenir régulièrement le dressage de votre chien. Étant donné que le niveau de tolérance de la stimulation électrostatique varie d'un animal à l'autre, Radio Systems Corporation NE PEUT PAS garantir que le système permettra de garder votre animal dans le périmètre dans toutes les situations. Cette tâche est parfois impossible suivant le chien ! Dès lors, si vous avez des raisons de penser que votre animal peut représenter un danger pour autrui ou se blesser lui-même s'il parvient à s'échapper, il est déconseillé de compter uniquement sur ce système pour confiner l'animal. Radio Systems Corporation NE PEUT PAS être tenu responsable de dommages matériels, de pertes commerciales ou de dommages accidentels causés par un animal s'étant échappé du dispositif.
- Il est important que le collier soit bien ajusté. Un collier porté de façon excessive ou trop serré peut irriter la peau de l'animal. Les effets peuvent aller d'une rougeur aux ulcères de pression ; cette condition est communément appelée une escarre de décubitus.
 - Évitez de laisser le collier sur le chien pendant plus de 12 heures par jour.
 - Si possible, repositionnez le collier toutes les 1 à 2 heures.
 - Vérifiez que le collier est bien ajusté pour éviter toute pression excessive ; suivez les consignes de ce manuel.
 - Ne jamais attacher une laisse au collier électronique car cela provoquerait une pression excessive sur les contacts.
 - Lorsque vous utilisez un autre collier avec une laisse, veillez à ce qu'il ne fasse pas pression sur le collier électronique.
 - Lavez le cou du chien et les contacts du collier une fois par semaine, avec un tissu humide.
 - Examinez quotidiennement la zone de contact pour détecter toute rougeur ou plaie.
 - En cas de rougeur ou de plaie, arrêtez d'utiliser le collier jusqu'à la guérison.
 - Si l'irritation persiste après 48 heures, consultez un vétérinaire.
 - Pour des informations supplémentaires sur les escarres et les nécroses cutanées, veuillez consulter notre site interne.

ATTENTION

Ces mesures vous permettront de garantir la sécurité et le confort de votre animal. Des millions d'animaux n'ont aucun problème à porter les contacts en acier inoxydable. Certains sont sensibles à la pression des contacts. Après un certain temps, il se peut que votre chien tolère très bien le collier. Si c'est le cas, certaines précautions peuvent être assouplies. Il est important de continuer à contrôler les zones de contact. En cas de rougeur ou de plaie, arrêtez d'utiliser le collier jusqu'à la guérison complète de la peau.

- Il est possible que vous deviez couper le poil dans la zone des contacteurs. Ne rasez jamais le cou du chien, ceci pourrait causer une éruption ou une infection.
- Toujours retirer le collier-récepteur avant de tester l'émetteur.
- Votre chien ne doit pas porter le collier-récepteur pendant le test du système. Votre animal risquerait de recevoir une stimulation involontaire.
- La largeur du périmètre du système doit être testée à chaque fois qu'un ajustement est apporté au champ anti-fugue afin d'éviter que votre animal ne reçoive des stimulations involontaires.
- Si vous utilisez un collier et une laisse pour le dressage, il faut vous assurer que le collier supplémentaire n'exerce aucune pression sur les contacteurs.
- Ne jamais désactiver le système quand le collier est sur l'animal. Ceci pourrait activer le collier-récepteur.
- Radio Systems Corporation recommande l'utilisation d'un système d'alimentation sans coupure (UPS) pour votre clôture sans fil. Si jamais l'alimentation électrique était coupée chez vous, votre animal serait sans protection.

Les coupures d'électricité ne sont pas toujours prévisibles et l'utilisation d'un UPS vous donne assez de temps pour contenir votre animal.

En de rares occasions, si votre animal se trouve à proximité des limites du périmètre au moment de la coupure électrique, il est possible qu'il reçoive une stimulation. Cette stimulation s'arrête après un délai de 30 secondes. Ceci est dû au fonctionnement du collier : le collier s'active en l'absence de signal de confinement.

Même si les résultats peuvent varier selon les spécifications du fabricant de l'UPS, voici des exemples pour vous permettre de faire votre choix parmi les différents systèmes :

- En utilisant un UPS de 400 kVa, le consommateur peut espérer obtenir 3 heures d'autonomie.
- En utilisant un UPS de 900 kVa, le consommateur peut espérer obtenir 8 heures d'autonomie.

Si l'installation a un périmètre inférieur au périmètre maximum de clôture possible, la durée de l'autonomie n'en sera que plus longue. Avec un périmètre de clôture minimum, la durée de l'autonomie peut être multipliée par deux par rapport à l'installation la plus grande.

AVIS

- Afin d'éviter toute stimulation involontaire, une fois les fanions de délimitation en place, veillez à régler le niveau de stimulation électrostatique du collier-récepteur sur 1 (Signal sonore seulement).
- Ne rien poser sur le transmetteur et ne pas couvrir les aérations. Ceci pourrait provoquer une surchauffe du transmetteur et causer une défaillance prématurée de celui-ci.
- Ne pas placer le transmetteur dans un placard ou dans d'autres endroits confinés et non aérés.

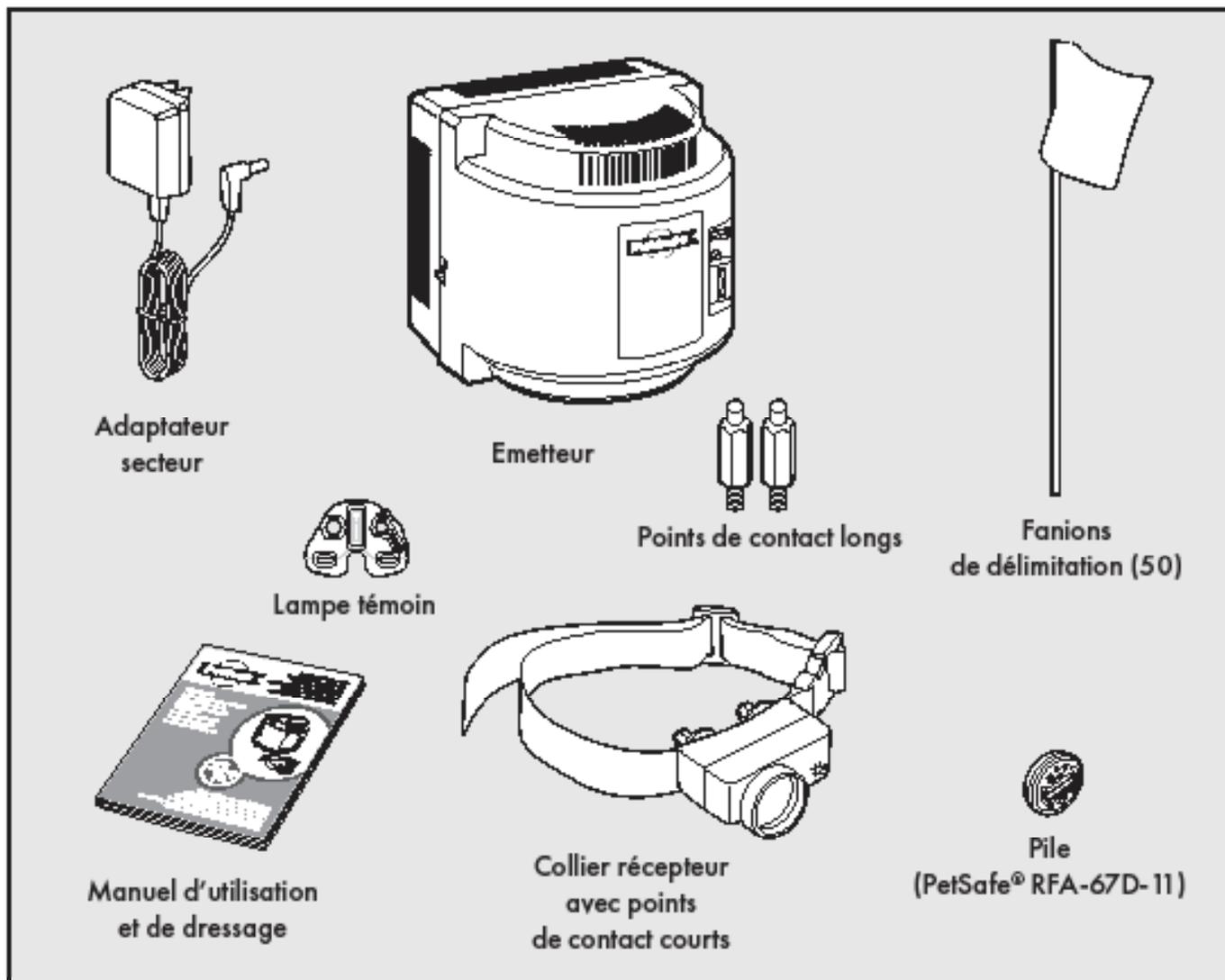
Merci d'avoir choisi la marque PetSafe®. Votre relation avec votre animal doit être faite des moments mémorables et une complicité mutuelle. Nos produits et nos outils de dressage favorisent la protection, le dressage et l'affection, des éléments essentiels pour garder des souvenirs pour la vie. **Si vous avez des questions sur nos produits ou sur le dressage de votre chien, veuillez contacter notre Service clientèle ou visitez notre site www.petsafe.net. Pour obtenir une liste des numéros de téléphone du centre de service clientèle, consultez notre site Web, www.petsafe.net.**

Pour bénéficier pleinement de votre garantie, veuillez enregistrer votre article dans les 30 jours sur le site www.petsafe.net. Grâce à cet enregistrement et en conservant le reçu, votre produit sera totalement couvert par notre garantie et si vous deviez contacter notre centre de service clientèle, nous pourrions vous aider plus rapidement. Mais surtout, PetSafe® ne donne ni ne vend jamais vos données personnelles à quiconque. Une description complète de la garantie est disponible sur le site Internet www.petsafe.net.

Table des matières

Contenu de l'emballage.....	27
Autres éléments nécessaires.....	27
Fonctionnement.....	28
Définitions principales.....	28
Manuel d'utilisation	
Positionnement de l'émetteur.....	29
Préparation du collier récepteur.....	30
Vérification du contact de la pile.....	31
Ajustement de la zone réservée à l'animal domestique aux dimensions souhaitées.....	32
Tableau de portée de l'émetteur.....	33
Positionnement des fanions de délimitation.....	34
Mise en place du collier récepteur.....	34
Manuel de dressage	
Faire preuve de patience avec l'animal domestique.....	36
Jour 1: Prise de conscience des fanions de délimitation.....	36
Jours 2 à 4: Suite de la prise de conscience des fanions de délimitation.....	37
Jours 5 à 8: Phase de distraction.....	38
Jours 9 à 14: Supervision sans laisse.....	39
Jours 15 à 30 - Surveillance de l'animal.....	40
Faire sortir l'animal de la zone qui lui est réservée.....	40
Portabilité.....	40
Accessoires.....	40
Foire aux questions.....	41
Résolution des problèmes.....	43
Resynchronisation du système.....	46
Élimination des piles usagées.....	46
Conformité.....	47
Conditions d'utilisation et limitation de responsabilité.....	47

Contenu de l'emballage



Autres éléments nécessaires

- Pince
- Ciseaux
- Briquet
- Perceuse et matériel de montage
- Mètre ruban
- Collier non métallique et laisse

Fonctionnement

Le système de retenue sans fil pour animaux domestiques le Système anti-fugue sans fil Wireless Pet Containment System™ est un système sûr, confortable et efficace qui convient pour tous les animaux domestiques de plus de 3,6 kg. Son fonctionnement est simple: il envoie un signal radio dans toutes les directions avec une portée maximale de 27,5 mètres. Vous déterminez provisoirement la zone réservée à l'animal domestique à l'aide des fanions de délimitation qui constituent un support visuel au dressage de votre animal. Ce dernier porte un collier récepteur muni de points de contact qui touchent son cou. Une fois l'animal dressé, il peut se promener librement dans la zone qui lui est réservée. Lorsque votre animal arrive au niveau des limites prédéterminées, le collier récepteur émet un signal d'avertissement avant d'administrer une stimulation statique inoffensive pour attirer son attention et le faire retourner dans la zone qui lui est réservée.

Définitions principales

Emetteur: émet le signal radio et correspond au centre de la zone réservée à l'animal domestique.

Zone réservée à l'animal domestique: distance par rapport à l'émetteur à laquelle l'animal peut circuler librement.

Limite de la zone: zone de 0,6 m à 1 m de large située au-delà de la zone réservée à l'animal dans laquelle le collier récepteur de votre animal commence à émettre un signal sonore d'avertissement avant d'administrer une stimulation statique. Cette dernière est administrée dans la limite de la zone et en tout endroit situé au-delà de la zone réservée à l'animal. Remarque: le collier récepteur intègre une fonction d'arrêt de sécurité qui interrompt la stimulation dès que votre animal reste en dehors de la zone qui lui est réservée pendant plus de 30 secondes.

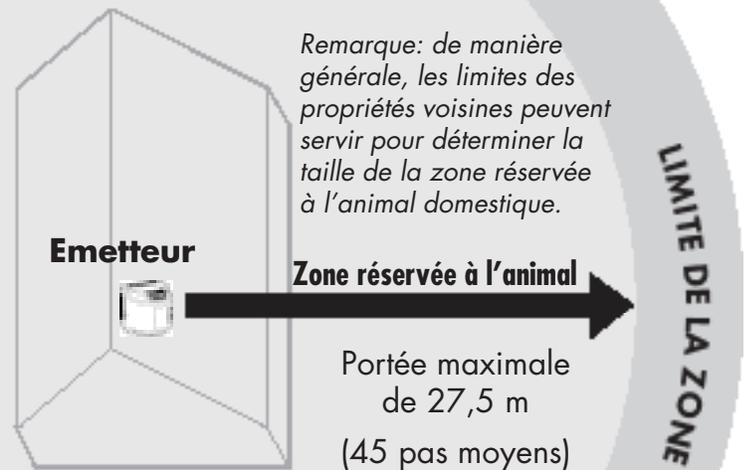
Collier récepteur: reçoit le signal radio transmis par l'émetteur.

Bouton de réglage du niveau de stimulation: permet de régler l'intensité de la stimulation statique administrée à votre animal en dehors de la zone qui lui est réservée.

Voyant lumineux du récepteur: indique l'intensité de la stimulation définie pour le collier récepteur. Ce voyant signale également lorsque la pile est plate.

Points de contact: administrent une stimulation statique inoffensive lorsque l'animal pénètre dans la limite de la zone.

Prise d'alimentation: point de raccord entre l'adaptateur secteur et l'émetteur. L'émetteur est alimenté par une prise standard.

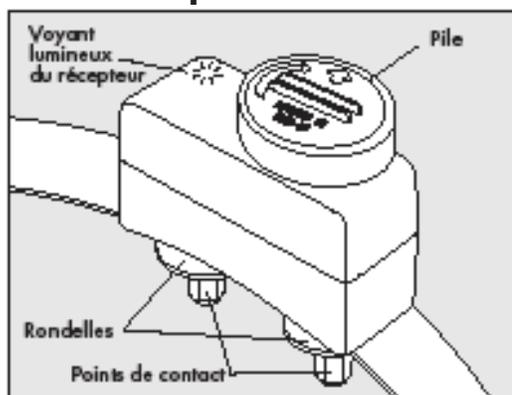


Commutateur de délimitation: à régler en fonction de la taille souhaitée de la zone réservée à l'animal domestique.

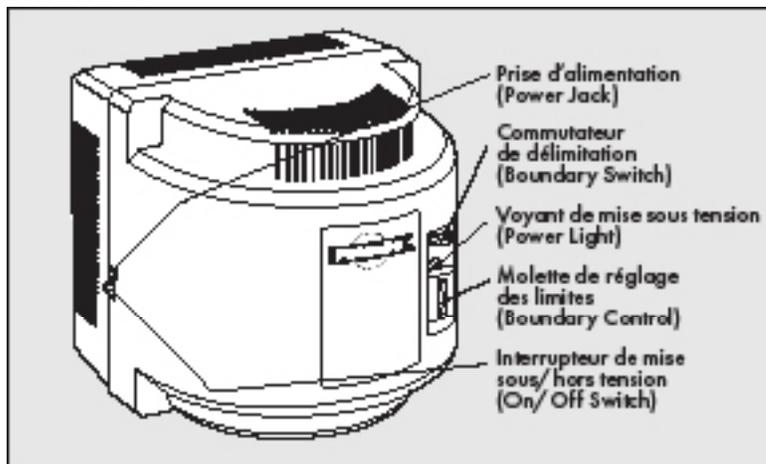
Voyant de mise sous tension: indique que l'émetteur est sous tension.

Molette de réglage des limites: permet de définir la distance entre l'émetteur et la limite de la zone. Remarque: le réglage de cette molette ne modifie pas l'intensité de la stimulation statique envoyée par le collier récepteur.

Collier récepteur



Emetteur



MANUEL D'UTILISATION

ETAPE 1

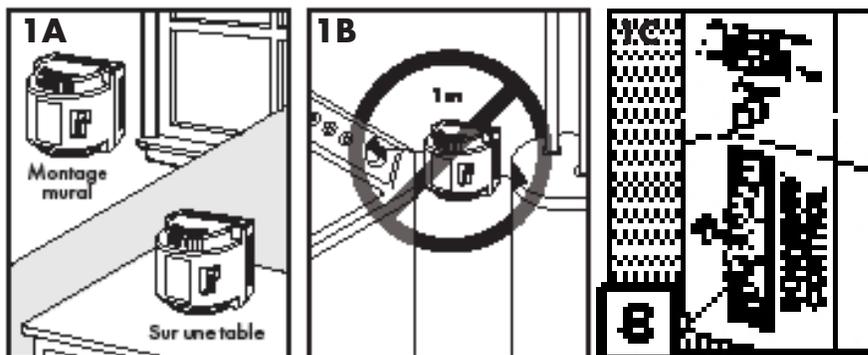
Positionnement de l'émetteur

Important: Positionnement de l'émetteur

Important: il peut s'avérer nécessaire de déplacer l'émetteur à plusieurs reprises avant de trouver l'emplacement définitif.

L'émetteur est situé au centre de la zone réservée à l'animal domestique. Placez l'émetteur:

- au rez-de-chaussée de votre habitation et à au moins 60 cm du sol.
- dans un endroit sec, bien aéré et protégé
- dans un endroit où la température ne descend jamais en dessous de 0 °C (par exemple, dans un garage, une cave, un abri, un débarras)
- sur une table non métallique ou au mur (**1A**) (vous trouverez un gabarit de montage au dos du présent manuel)
- à une distance minimale de 1 m de tout objet métallique et de tout appareil de grande taille dans la mesure où ces derniers peuvent réduire la taille et la configuration de la zone réservée à votre animal domestique (**1B**).



Pour optimiser la zone réservée à l'animal, veillez à ce que le commutateur de délimitation soit réglé sur « High » et que la molette de réglage des limites soit réglée sur « 8 » (**1C**). Branchez l'adaptateur secteur dans la prise d'alimentation standard. Mettez l'émetteur sous tension.

ETAPE 2

Préparation du collier récepteur

Les points de contact courts sont installés d'origine sur le collier récepteur. Utilisez les points de contact longs si votre animal domestique a un pelage long ou épais. Retirez et resserrez les contacteurs en utilisant la clé multifonctions (**2A**). Les contacteurs doivent être serrés un demi-tour de plus de ce qu'il est possible de serrer avec les doigts.

Insertion et retrait de la pile

Remarque: n'insérez jamais la pile lorsque votre animal porte le collier récepteur.

Ce processus devrait être réalisé à une distance d'1,5 m de l'émetteur.

Le collier récepteur fonctionne à l'aide d'une pile jetable PetSafe® (RFA-67D-11). Cette pile spécifique garantit une plus grande facilité de remplacement de la pile et une meilleure étanchéité.

Pour insérer la pile, alignez les symboles de la pile (flèche) et du collier récepteur (triangle) (**2B**). Utilisez le bord de la clé multifonctions (**2B**) pour tourner la pile dans le sens des aiguilles d'une montre jusqu'à ce que les flèches s'alignent avec le symbole de verrouillage sur le boîtier.

Pour retirer la pile, tourner la pile dans le sens inverse des aiguilles d'une montre à l'aide du bord de la clé multifonctions (**2C**). N'essayez JAMAIS de couper ou d'ouvrir la pile. Veillez à jeter la pile usagée comme il se doit.

Si le voyant lumineux du récepteur clignote toutes les 4 à 5 secondes, la pile doit être remplacée. Retirez la pile usagée du collier-récepteur. Afin de libérer l'énergie résiduelle, maintenez le bouton de réglage du niveau de stimulation enfoncé jusqu'à ce que le voyant s'éteigne. Insérez une pile neuve.

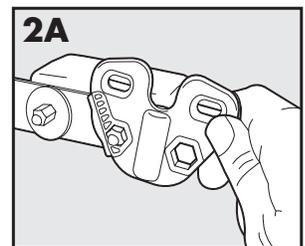
Vous trouverez une pile de rechange PetSafe® (RFA-67D-11) chez la plupart des distributeurs. Pour connaître le distributeur le plus proche, veuillez contacter notre service clientèle ou visitez notre site Web à l'adresse www.petsafe.net.

Réglage de l'intensité de la stimulation statique

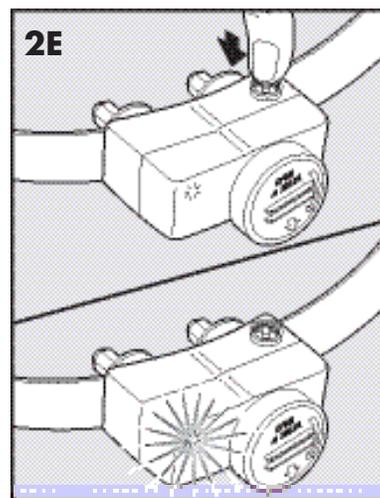
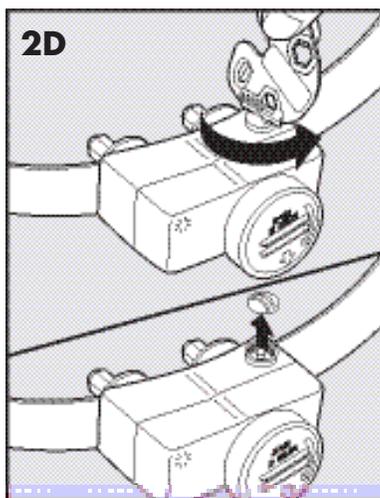
Lisez bien toutes les étapes, indiquées ci-dessous, avant d'essayer de régler le niveau de stimulation électrostatique. Référez-vous aux indications sur les fonctions et les réponses, du tableaux ci-dessous, pour des conseils sur le réglage du niveau de stimulation électrostatique qui correspond le mieux à votre animal.

Veillez lire toutes les étapes ci-dessous avant de régler l'intensité de la stimulation statique.

1. Retirez la protection en plastique transparent avec le bord de la clé multifonctions pour exposer le Bouton de réglage du niveau de stimulation (**2D**).
2. Une fois la pile insérée, appuyez sur le bouton de réglage du niveau de stimulation statique et maintenez-le enfoncé jusqu'à ce que le voyant lumineux du collier s'allume (**2E**).
3. Le voyant lumineux du collier récepteur émet alors une série de clignotements reflétant l'intensité de la stimulation statique.



4. Augmentez l'intensité de la stimulation statique en appuyant puis en relâchant le bouton de réglage du niveau de stimulation dans les cinq secondes suivant la série de clignotements précédente.
5. Une fois l'intensité de la stimulation statique réglée, remettez la protection en place afin de protéger le bouton de réglage du niveau de stimulation.



Les niveaux d'intensité de la stimulation statique vont de 1 à 6. Si vous appuyez sur le bouton de réglage du niveau de stimulation statique alors que le collier récepteur est réglé sur le niveau 6, le collier repasse au niveau 1. Reportez-vous au tableau des fonctions et réactions ci-dessous pour choisir le niveau d'intensité de la stimulation statique le mieux adapté à votre animal.

Le voyant lumineux du collier récepteur indique également lorsque la pile est plate. Lorsqu'il clignote toutes les 4 à 5 secondes, la pile doit être remplacée.

Vérification du contact de la pile

Enlevez le collier-récepteur de votre animal. Appuyez sur le bouton et vérifiez que le voyant DEL s'allume. Si le voyant DEL ne s'allume pas, retirez la pile. Repérez les languettes métalliques dans le compartiment de la pile. Soulevez les languettes doucement afin de vous assurez que le contact avec la pile est correct. Remplacez la pile dans le collier-récepteur. Appuyez sur le bouton et vérifiez que le voyant DEL s'allume bien.

Tableau des fonctions et réactions

Réaction du voyant lumineux	Niveau d'intensité de la stimulation statique	Fonction du collier récepteur	Tempérament de l'animal
1 clignotement	1	Pas de stimulation statique, émission d'un signal sonore uniquement	
2 clignotements	2	Stimulation statique faible	Calme
3 clignotements	3	Stimulation statique moyennement faible	Calme ou moyen
4 clignotements	4	Stimulation statique moyenne	Moyen
5 clignotements	5	Stimulation statique moyennement élevée	Moyen ou excité
6 clignotements	6	Stimulation statique élevée	Excité
Clignotement toutes les 4 à 5 secondes		Indique que la pile est faible	

Fonction de limitation de la stimulation

Si jamais votre animal entre dans les limites du périmètre ou continu au delà de la zone autorisée, cette fonction limite la stimulation électrostatique à 30 secondes

Dans le cas improbable où votre animal quitte la zone autorisée, il ne recevra pas de stimulation électrostatique à son retour dans la zone autorisée.

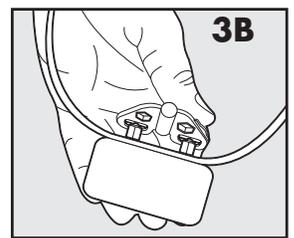
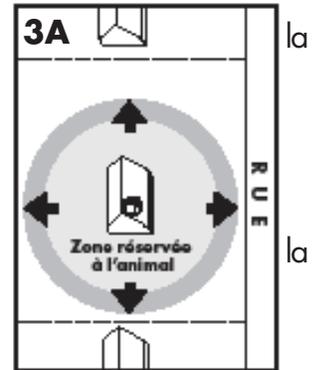
ETAPE 3

Ajustement de la zone réservée à l'animal domestique aux dimensions souhaitées

Veillez à ce que la zone réservée à l'animal domestique se situe entièrement dans les limites de votre propriété (**3A**). Commencez toujours par déterminer la limite de la zone en fonction de la distance la plus courte par rapport à l'émetteur. Réglez le commutateur de délimitation sur la position « Low » si la limite de la zone est inférieure à une distance de 13,5 m de l'émetteur.

Veillez à ce que la pile du collier-récepteur soit bien installée, que la stimulation électrostatique soit réglée sur le niveau 2 au minimum et que les contacts de clé multifonctions touchent bien les contacteurs (**3B**).

Remarque : si votre voisin possède un système anti-fugue In-Ground, veuillez vous référer au paragraphe Dépannage (page 43).



Instructions relatives à la clé multifonctions

1. Réglez le niveau de stimulation sur 2 ou plus.
2. Maintenez les contacts de la clé multifonctions contre les contacteurs.
3. Marchez vers les limites du périmètre en tenant le collier-récepteur à hauteur du cou de votre animal jusqu'à ce que la clé multifonctions clignote. Conservez la clé multifonctions pour effectuer d'autres tests à l'avenir.

Remarque : si la clé multifonctions ne clignote pas, rechargez la pile et testez à nouveau. Si la clé multifonctions ne clignote toujours pas, veuillez contacter le Service clientèle ou visitez notre site internet www.petsafe.net.

Pour agrandir la zone autorisée, assurez-vous que le sélecteur de limite de périmètre est positionné sur « high » (élevé) et que la commande de limite de périmètre est réglée sur « 8 ». Branchez l'adaptateur d'alimentation dans le jack puis dans la prise du secteur.

Ajustement à deux personnes

Tenez le collier récepteur à hauteur du cou de votre animal (**3C**) de sorte que le logo soit orienté dans la direction opposée de l'émetteur. Allez à la limite souhaitée de la zone réservée à l'animal. Tout en regardant dans la direction opposée à l'émetteur, tenez le collier récepteur à l'extrémité de la zone réservée à l'animal (**3D**).

Après avoir réglé la molette de réglage des limites sur « 8 », demandez à une autre personne de diminuer LENTEMENT la molette. Lorsque le collier récepteur émet un signal sonore, dites à l'autre personne de ne plus toucher à la molette de réglage des limites. Notez vos réglages ci-dessous pour toute référence ultérieure.

Ajustement à une personne

Mesurez la distance la plus courte allant de la zone de limite du périmètre au transmetteur. Trouvez la distance sur le tableau des plages du transmetteur, (page 33), et paramétrez le sélecteur de limite de périmètre et la commande de limite de périmètre. Maintenez les contacts de la clé multifonctions contre les contacteurs (**3B**). Amenez le collier-récepteur jusqu'à la zone de limite de périmètre avec le

logo orienté en direction opposée au transmetteur et avec les contacteurs orientés vers le haut (3C). Tenez le collier-récepteur à hauteur du cou de votre animal (3D) jusqu'à ce que le collier-récepteur émette un signal sonore et que la clé multifonctions clignote.

Si le collier-récepteur émet un signal sonore avant ou au delà de la zone de limite de périmètre désirée, retournez au transmetteur et réglez la commande de limite de périmètre. Répétez cette procédure jusqu'à ce que le collier-récepteur émette le signal sonore à l'endroit prévu. Enregistrez vos paramètres sur la page 33, pour vos futures références

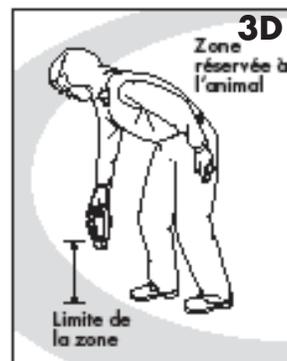
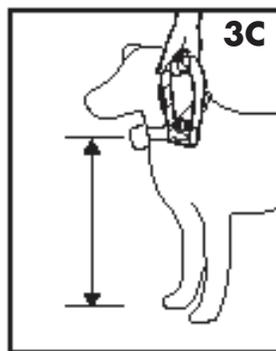


Tableau de portée de l'émetteur

(Remarque: ces distances sont approximatives.)

Position de la molette de réglage des limites	Commutateur de délimitation LOW	Commutateur de délimitation HIGH
1	1,5 m à 3 m	1,5 m à 3 m
2	1,5 m à 3 m	1,5 m à 3 m
3	4,5 m à 6 m	7,5 m à 12 m
4	6 m à 7,5 m	12,5 m à 16,5 m
5	7,5 m à 9 m	16,5 m à 19,5 m
6	10,5 m à 12 m	23 m à 26 m
7	12 m à 13,5 m	26 m à 27,5 m
8	12 m à 13,5 m	26 m à 27,5 m

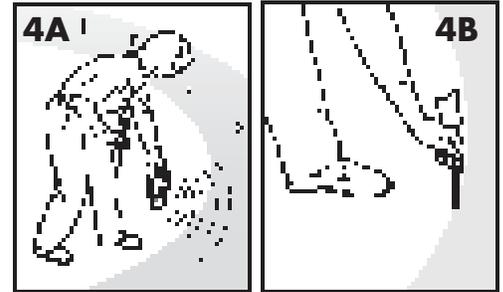
Notez ci-dessous vos réglages

	Réglage définitif du commutateur de délimitation (HIGH ou LOW)	Position définitive de la molette de réglage des limites (1-8)	Niveau d'intensité de la stimulation statique (1-6)
Domicile			
Camping			
Vacances			
Autre			

ETAPE 4

Positionnement des fanions de délimitation

Les fanions de délimitation constituent un rappel visuel pour votre animal de l'emplacement de la limite de la zone. Le collier récepteur s'active à une distance de 0,6 m à 1 m des fanions de délimitation.



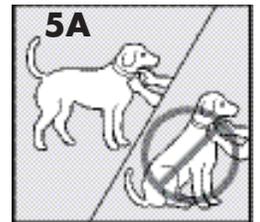
1. Tout en utilisant la clé multifonctions avec le niveau de stimulation électrostatique réglé sur le niveau 2 au minimum, tenez le collier-récepteur à hauteur du cou de votre animal avec le logo PetSafe® dirigé dans la direction opposée au transmetteur.
2. Marchez vers la zone de contrôle en tenant le collier-récepteur à hauteur du cou de votre animal, jusqu'à ce que le collier-récepteur émette un signal sonore et que la clé multifonctions clignote (**4A**).
3. Enfoncez à cet endroit un fanion dans le sol (**4B**).
4. Retournez dans la zone réservée à l'animal jusqu'à ce que le signal sonore s'arrête.
5. Répétez cette procédure jusqu'à ce que la limite de la zone soit marquée à l'aide d'un fanion tous les 3 m.

Les fanions de délimitation peuvent se trouver en différents endroits de la limite de la zone, alignés ou non. La largeur de la limite de la zone est comprise entre 0,6 m à 1 m.

ETAPE 5

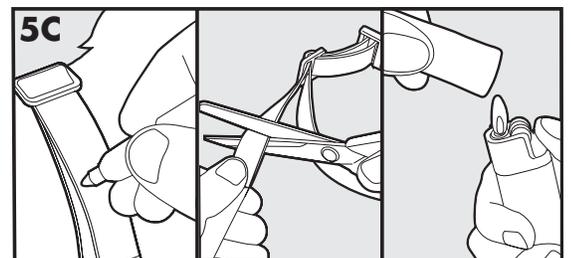
Mise en place du collier récepteur

Important: il est important de mettre en place et de régler le collier récepteur de manière appropriée pour garantir un dressage efficace. Les points de contact doivent être en contact direct avec la peau du cou de l'animal, au niveau de sa gorge.



Pour une mise en place appropriée du collier récepteur, veuillez suivre les étapes suivantes:

1. Vérifiez que la pile n'est pas installée dans le collier récepteur.
2. L'animal doit être debout, dans une position confortable (**5A**).
3. Pour faciliter l'écoute du signal sonore d'avertissement, veuillez à placer le logo du collier récepteur vers le haut.
4. Centrez les points de contact sur la gorge de l'animal et vérifiez qu'ils sont en contact avec sa peau. Si le pelage de l'animal est long ou épais, utilisez les points de contact longs fournis dans l'emballage.

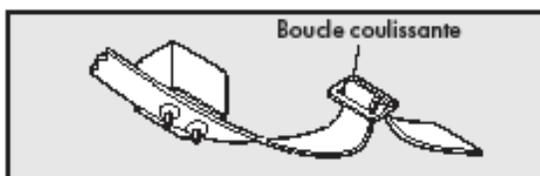


ATTENTION

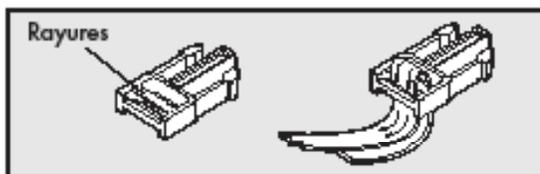
Il peut s'avérer nécessaire de couper les poils de votre chien dans zone située autour des contacteurs. Ne rasez jamais le cou de votre chien, car cela risquerait de provoquer des irritations ou une infection.

5. Assurez-vous que le collier récepteur n'est pas trop serré. Vous devez pouvoir introduire un doigt entre l'extrémité du point de contact et le cou de l'animal. Le collier récepteur doit être bien ajusté mais ne doit pas gêner l'animal **(5B)**.
6. Laissez le collier récepteur au cou de l'animal pendant quelques minutes avant de vérifier qu'il est toujours bien ajusté. Vérifiez régulièrement l'ajustement du collier récepteur.
7. Coupez le collier de la manière suivante **(5C)**:
 - a. A l'aide d'un feutre, indiquez d'un trait la longueur souhaitée du collier récepteur. Si l'animal est encore jeune ou que son pelage s'épaissit en hiver, prévoyez une marge de croissance.
 - b. Retirez le collier récepteur du cou de l'animal et coupez l'excédent.
 - c. Avant de remettre le collier récepteur au cou de l'animal, brûlez l'extrémité que vous venez de couper à l'aide d'un briquet pour éviter qu'il ne s'effiloche.
8. Mettez la pile dans le collier-récepteur.

Pour renfiler le collier



La boucle empêche que le collier ne se desserre du cou de l'animal.



Les crans doivent être dirigés vers le haut. Si le collier n'est pas enfilé comme il se doit, il se desserrera.



MANUEL DE DRESSAGE

EN

FR

NL

ES

IT

DE

Faire preuve de patience avec l'animal domestique

Important: il est essentiel de dresser correctement l'animal pour une utilisation efficace du Système anti-fugue sans fil Wireless Pet Containment System™. Veuillez lire attentivement cette section avant de commencer le dressage de votre animal. N'oubliez pas que le Système anti-fugue sans fil Wireless Pet Containment System™ est une barrière virtuelle.



- Rendez le dressage de votre animal domestique divertissant. Amusez-vous tout en étant juste, ferme et constant.
- Organisez des séances de dressage de 10 à 15 minutes. N'essayez pas de brûler les étapes. En règle générale, de courtes séances fréquentes engendrent de meilleurs résultats que de longues séances plus espacées.
- Nous recommandons un dressage de minimum 14 jours. Cette durée peut être raccourcie ou prolongée en fonction de votre animal et de son apprentissage.
- Si l'animal montre des signes de stress, ralentissez le rythme du dressage, prévoyez davantage de jours de dressage ou passez plus de temps à jouer avec l'animal dans la zone qui lui est réservée. Les signes habituels de stress sont les suivants:
 - l'animal tire sur sa laisse
 - l'animal a les oreilles rabattues
 - l'animal a la queue abaissée
 - l'animal est recroquevillé
 - l'animal est nerveux ou frénétique ou son corps est tendu
- Au terme de chaque séance de dressage, l'animal doit se sentir à l'aise à proximité des fanions de délimitation. Consacrez-lui au minimum 5 minutes de jeu au terme de chaque séance de dressage dans un périmètre de 3 m des fanions de délimitation.
- Concluez chaque séance de dressage sur une note positive, félicitez l'animal et jouez avec lui.
- Retirez le collier récepteur au terme de chaque séance de dressage.
- Prévoyez d'autres moyens de contrôle de l'animal pendant la période de dressage.
- Lors du dressage, si vous devez faire sortir l'animal de la zone qui lui est réservée, ôtez-lui le collier récepteur et portez l'animal ou installez-le dans votre voiture pour quitter la zone qui lui est réservée.
- Même si vous estimez que votre animal réagit de manière positive au dressage, n'interrompez pas le dressage et allez jusqu'au bout. Il est important de persévérer!

PHASE 1

Jour 1: Prise de conscience des fanions de délimitation

Pour cette première journée de dressage, organisez trois séances de 10 à 15 minutes chacune.

Objectif:

Apprendre à l'animal que les fanions de délimitation et le signal sonore d'avertissement émis par le

collier récepteur délimitent la zone qui lui est réservée.

Préparation:

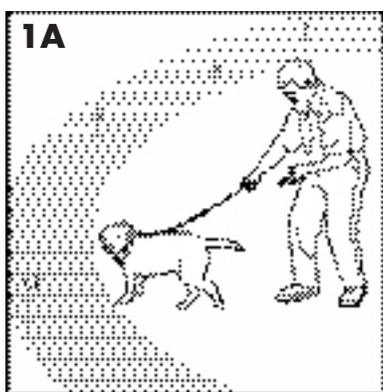
- Programmez le niveau de stimulation électrostatique du collier-récepteur sur le niveau 1 : Mode dressage par signal sonore seul.
- Placez un autre collier non métallique au cou de votre animal, juste AU-DESSUS du collier récepteur et attachez-y une laisse.

ATTENTION Assurez-vous que ce collier n'exerce aucune pression sur les points de contact.

- Prévoyez de petites récompenses que votre animal aime particulièrement.
- Tenez également le jouet favori de votre animal à portée de main.

Étapes :

1. Commencez à marcher avec votre chien en laisse dans la zone autorisée. Encouragez calmement votre chien.
2. Allez vers les fanions de délimitation (**1A**). Continuez à vous montrer content.
3. En contrôlant votre chien avec la laisse, marchez vers les fanions. Au moment où votre animal pénètre dans la zone de limite du périmètre, le collier-récepteur commence à émettre un signal sonore (**1B**). Laissez-le dans la zone de limite du périmètre pendant 2 secondes avant de le tirer gentiment à nouveau jusque dans la zone autorisée (**1C**). Félicitez-le et offrez-lui une friandise dès qu'il retourne dans la zone autorisée, même si vous l'avez aidé avec la laisse.
4. Renouvelez cette opération au même fanion de délimitation jusqu'à ce que votre animal ne veuille plus entrer dans la zone de limite du périmètre.
5. Essayez de couvrir 3 à 4 fanions par séance. Veillez à ce que cet apprentissage soit AMUSANT ! Félicitez votre chien s'il refuse vigoureusement d'aller dans la zone de limite du périmètre.



PHASE 2

Jours 2 à 4: Suite de la prise de conscience des fanions de délimitation

Organisez trois séances de dressage par jour, de 10 à 15 minutes chacune.

Objectif:

Apprendre à votre animal à rester dans la zone qui lui est réservée lorsque vous êtes en dehors de cette zone.

Préparation:

- Programmez le niveau de stimulation électrostatique du collier-récepteur sur le niveau 2.
- Placez un autre collier non métallique au cou de votre animal, juste AU-DESSUS du collier récepteur et attachez-y une laisse.

ATTENTION Assurez-vous que ce collier n'exerce aucune pression sur les points de contact.

- Prévoyez de petites récompenses pour votre animal.
- Tenez également le jouet favori de votre animal à portée de main.

Etapas:

1. Répétez les étapes 1 à 5 de la phase
2. Si votre animal ne réagit pas à la stimulation électrostatique, vérifiez l'ajustement du collier-récepteur conformément à l'étape 5 (page 34).
3. Si le collier-récepteur est correctement ajusté et que votre animal ne réagit pas à la stimulation électrostatique, accroissez le niveau de stimulation électrostatique d'1 unité. Observez les petites réactions initiales de votre animal, par exemple s'il dresse les oreilles, tourne la tête ou dirige son regard vers le sol.
4. Restez au même fanion de délimitation jusqu'à ce que votre animal résiste à l'approche de la zone de limite du périmètre.

PHASE 3**Jours 5 à 8: Phase de distraction**

Organisez trois séances de dressage par jour, de 10 à 15 minutes chacune.

Objectif:

Apprendre à votre animal à rester dans la zone qui lui est réservée en dépit des distractions extérieures.

Préparation:

- Programmez le niveau de stimulation électrostatique du collier-récepteur sur le niveau 2 ou plus selon la réaction de votre animal entre le jour 2 et le jour 4.
- Placez un autre collier non métallique au cou de votre animal, juste AU-DESSUS du collier récepteur et attachez-y une laisse.

ATTENTION Assurez-vous que ce collier n'exerce aucune pression sur les points de contact.

- Prévoyez de petites récompenses pour votre animal (os ou petits biscuits, par exemple).
- Tenez également le jouet favori de votre animal à portée de main.
- Créez des distractions susceptibles d'attirer l'animal dans la limite de la zone, par exemple:
 - Demandez à l'un des membres de la famille de quitter la zone réservée à l'animal.

- Jetez un ballon en dehors de la zone réservée à l'animal.
- Demandez à l'un de vos voisins de promener son chien en dehors de la zone réservée à l'animal.
- Augmentez progressivement le niveau de distraction. **N'incitez jamais votre animal, en l'encourageant ou en l'appelant, à sortir de la zone autorisée.**

Étapes:

1. Tout en maîtrisant votre animal en laisse, présentez-lui une distraction.
2. Si l'animal ne se dirige pas vers la distraction, félicitez-le et offrez-lui une récompense.
3. Si l'animal réagit à la distraction, laissez-le pénétrer dans la limite de la zone.
4. Si l'animal n'est pas sorti de la limite de la zone dans un délai de 2 secondes, tirez-le dans la zone qui lui est réservée.
5. Chaque fois que l'animal revient dans la zone qui lui est réservée, de son propre gré ou parce que vous l'y tirez, félicitez-le et offrez-lui une récompense.
6. Répétez cette procédure avec les autres distractions prévues. Demandez l'aide des autres membres de la famille pour cette étape.
7. Si votre animal ne réagit pas à la stimulation électrostatique, assurez-vous que le collier-récepteur est ajusté conformément aux instructions détaillées à la page 34, étape 5.
8. Si, après vous être assuré que le collier-récepteur est bien ajusté, votre chien ne réagit toujours pas à la stimulation électrostatique, veuillez passer au niveau de stimulation suivant.

PHASE 4

Jours 9 à 14: Supervision sans laisse

Les premières séances de dressage doivent durer de 10 à 15 minutes pour atteindre progressivement une durée de plus d'une heure.

L'animal n'est prêt pour cette phase que lorsqu'il évite expressément la limite de la zone, en dépit de toute distraction ou tentation. Pour cette phase, ne laissez jamais votre animal sans surveillance.

Objectif:

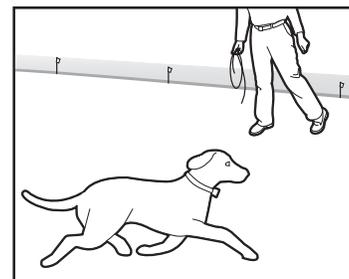
Permettre à l'animal de courir librement dans la zone qui lui est réservée, sans laisse.

Préparation:

Régalez le collier récepteur sur le niveau d'intensité définitif correspondant à la taille et au tempérament de votre animal.

Étapes:

1. Pénétrez avec l'animal portant le collier récepteur dans la zone qui lui est réservée.
2. Promenez-vous avec l'animal et jouez avec lui, tout en restant toujours à l'intérieur de la zone qui lui est réservée.
3. Attelez-vous à une autre tâche dans le jardin, tout en surveillant votre animal.
4. Si l'animal tente de quitter la zone qui lui est réservée, ôtez le collier récepteur et éteignez le système et l'émetteur, puis ramenez l'animal dans la zone qui lui est réservée.



Jours 15 à 30 - Surveillance de l'animal

Votre chien peut maintenant courir ! Surveillez-le à intervalles réguliers.

Remarque : Lorsque vous jugez que le dressage de votre animal est terminé, enlevez tous les 4 jours un fanion de délimitation sur deux, jusqu'à ce que tous les fanions aient disparu. Rangez les fanions en vue de pouvoir les réutiliser dans l'avenir.

Faire sortir l'animal de la zone qui lui est réservée

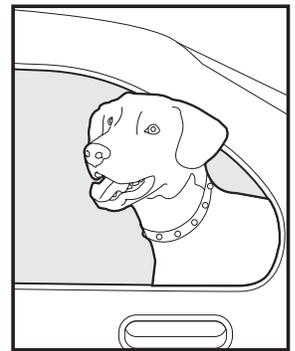
Important: ôtez le collier récepteur et laissez-le dans la zone réservée à l'animal.

Une fois que l'animal est devenu familier avec la limite de la zone, il hésitera à la traverser pour aller se promener ou monter en voiture.

Option 1: Remplacez le collier récepteur par un collier traditionnel. Faites monter l'animal dans le véhicule garé dans la zone réservée à l'animal et conduisez le véhicule en dehors de la zone.

Option 2: Remplacez le collier récepteur par un collier traditionnel et une laisse. Emmenez l'animal en dehors de la zone qui lui est réservée tout en lui disant une phrase de type « Bien » en un endroit spécifique de la limite de la zone (au bout de l'allée, au niveau du trottoir, etc.). Quittez toujours la zone réservée à l'animal à cet endroit spécifique tout en tenant l'animal en laisse pour qu'il associe le départ de la zone qui lui est réservée à la laisse, à un endroit spécifique et à une personne spécifique. Il vous faudra peut-être tout d'abord convaincre votre animal de quitter la zone qui lui est réservée en lui offrant une récompense et en le félicitant à plusieurs reprises.

Remarque: vous pouvez également porter l'animal dans vos bras pour quitter la zone qui lui est réservée.



Portabilité

Le Système anti-fugue sans fil Wireless Pet Containment System™ est un système portable. Il vous suffit de suivre les procédures de préparation (étapes 1 à 4) pour tout endroit dans lequel vous souhaitez retenir votre animal. Redéfinissez la zone réservée à l'animal et délimitez-la à l'aide des fanions de délimitation afin que l'animal prenne conscience de la limite de la zone qu'il ne peut franchir.

Remarque: si vous utilisez ce système dans un bâtiment métallique ou dans un véhicule, vous devrez certainement réduire la taille maximale de la zone réservée à l'animal. Veillez à retirer la pile du collier récepteur avant d'éteindre l'émetteur. Si vous souhaitez alimenter l'émetteur à partir de votre véhicule ou de toute autre source de courant continu, utilisez un onduleur de 50 watts ou plus.

Accessoires

Afin de vous procurer des accessoires supplémentaires pour votre Système anti-fugue sans fil Wireless Pet Containment System™, contactez le Service clientèle ou consultez notre site web pour connaître l'adresse du revendeur le plus proche de chez vous. Pour obtenir une liste des centres de service clientèle de votre région, consultez www.petsafe.net.

Foire aux questions

<p>Quel âge doit avoir mon chien avant de pouvoir commencer à le dresser pour le Système anti-fugue sans fil Wireless Pet Containment System™ ?</p>	<ul style="list-style-type: none"> • Étant donné que les animaux sont tous différents, le dressage avec ce dispositif peut commencer dès que votre chien peut apprendre les ordres de base comme « assis » ou « attends ». Le système ne doit qu'être utilisé sur des chiens ayant plus de 6 mois. Si votre chien est blessé ou qu'il se déplace avec difficulté, contactez votre vétérinaire ou un dresseur professionnel avant d'utiliser le collier.
<p>Le collier récepteur est-il étanche ?</p>	<ul style="list-style-type: none"> • Oui. Lorsque vous changez la pile, veillez à ce que le compartiment de la pile ne contienne pas de poussières ni de débris.
<p>Le Système anti-fugue sans fil Wireless Pet Containment System™ couvre-t-il une circonférence supérieure à 55 m ?</p>	<ul style="list-style-type: none"> • Vous pouvez utiliser un autre émetteur sans fil pour que les limites se chevauchent de 2 m à 3 m. Vous obtenez ainsi une zone réservée à l'animal plus vaste.
<p>La zone réservée à l'animal peut-elle être influencée par un jardin en pente ?</p>	<ul style="list-style-type: none"> • Le signal émis par l'émetteur s'étend à 27,5 m dans toutes les directions. En cas de jardin en pente, la zone réservée à l'animal peut vous paraître plus grande ou plus petite que prévu. Repositionnez éventuellement l'émetteur afin d'optimiser la zone réservée à l'animal.
<p>Puis-je utiliser plusieurs colliers récepteurs avec ce système sans fil ?</p>	<ul style="list-style-type: none"> • Oui. Le nombre d'animaux que vous pouvez retenir à l'aide de ce système sans fil est illimité. Il vous suffit d'acheter un collier récepteur supplémentaire pour chaque animal que vous souhaitez retenir. Pour ce faire, contactez notre service clientèle ou visitez notre site Web à l'adresse www.petsafe.net afin de connaître le distributeur le plus proche.
<p>Le système sans fil tiendra-t-il les autres animaux à l'écart de mon jardin ?</p>	<ul style="list-style-type: none"> • Non. Le système sans fil ne fonctionne efficacement que pour les animaux portant un collier récepteur.
<p>Existe-t-il un émetteur de poche à distance pouvant être utilisé avec le collier récepteur du système sans fil ?</p>	<ul style="list-style-type: none"> • Non. Dans ce cas, vous devez acheter un système de dressage à distance. Pour ce faire, contactez notre service clientèle ou visitez notre site Web à l'adresse www.petsafe.net afin de connaître le distributeur le plus proche.
<p>Existe-t-il un collier récepteur de petite taille ou un autre collier récepteur pouvant être utilisé avec l'émetteur sans fil ?</p>	<ul style="list-style-type: none"> • Non. Contactez notre service clientèle ou visitez notre site Web à l'adresse www.petsafe.net pour connaître des idées ou des solutions alternatives.
<p>Si j'ai des questions sur mon système sans fil ou si j'ai besoin de pièces de rechange, où dois-je m'adresser ?</p>	<ul style="list-style-type: none"> • Contactez notre service clientèle ou visitez notre site Web à l'adresse www.petsafe.net.
<p>Puis-je utiliser le système sans fil sur un animal agressif ?</p>	<ul style="list-style-type: none"> • Il est déconseillé d'utiliser les systèmes électroniques de dressage pour animaux domestiques sur des animaux agressifs. Si vous avez des doutes quant à l'agressivité de votre animal, veuillez contacter votre vétérinaire ou un dresseur agréé.

Puis-je utiliser le système sans fil sur un chat ?	<ul style="list-style-type: none"> • Oui, il vous suffit de vérifier que le collier récepteur est bien ajusté au cou du chat.
Que se passe-t-il en cas de panne de courant ?	<ul style="list-style-type: none"> • Le système sans fil a été conçu pour reconnaître les pannes et les coupures de courant sans activation du collier récepteur. Toutefois, si votre animal se trouve à proximité de la limite de la zone lorsque la panne de courant survient, il est possible qu'il reçoive une stimulation statique. Pour réduire cette éventualité, envisagez un dispositif d'alimentation de secours pour l'émetteur si les pannes de courant sont fréquentes dans votre quartier.
Que peut-il arriver si j'éteins ou si je débranche l'alimentation du transmetteur ?	<ul style="list-style-type: none"> • Si votre chien porte le collier-récepteur, Il risque de recevoir une stimulation involontaire. Toujours retirer le collier-récepteur du chien avant de couper l'alimentation du transmetteur ou avant d'effectuer un quelconque test sur le transmetteur.
Que se passe-t-il en cas de perte de la protection en plastique transparent du bouton de réglage du niveau de stimulation statique ?	<ul style="list-style-type: none"> • La protection en plastique transparent empêche toute modification fortuite du niveau d'intensité de la stimulation statique et garantit l'étanchéité du récepteur. Contactez le service clientèle pour obtenir une pièce de rechange.
Lorsque mon animal quitte la zone qui lui est réservée, combien de temps dure la stimulation ?	<ul style="list-style-type: none"> • Votre animal reçoit une stimulation statique tant qu'il reste en dehors de la zone qui lui est réservée, et ce pendant 30 secondes maximum. Le collier récepteur est pourvu d'un système d'arrêt de sécurité qui interrompt la stimulation et l'émission du signal sonore après 30 secondes et ce jusqu'au retour dans la zone réservée à l'animal.
Quelle est la fréquence de changement de la pile du collier récepteur ?	<ul style="list-style-type: none"> • La durée de vie de la pile dépend de la fréquence à laquelle votre animal teste la limite de la zone. Le voyant lumineux du récepteur vous indique l'état de la pile et clignote toutes les 4 à 5 secondes lorsque celle-ci doit être remplacée.
Puis-je adapter le récepteur sur un autre collier ?	<ul style="list-style-type: none"> • Oui, sur n'importe quel collier non métallique. Percez deux trous dans le collier afin d'y attacher le récepteur. Utilisez le collier fourni dans l'emballage comme modèle avant de percer les trous dans le nouveau collier.
Quel est l'entretien du système sans fil ?	<ul style="list-style-type: none"> • Vérifiez quotidiennement le cou de votre animal afin d'y déceler toute trace éventuelle d'irritation due aux points de contact. • Vérifiez une fois par chaque semaine que les points de contact du collier récepteur sont serrés et propres. • Vérifiez une fois par chaque semaine que le collier récepteur est bien ajusté au cou de votre animal. • Le voyant lumineux du récepteur vous indique l'état de la pile et clignote toutes les 4 à 5 secondes lorsque celle-ci doit être remplacée.

Comment puis-je savoir si la pile du collier récepteur fonctionne toujours ?	<ul style="list-style-type: none"> • Retirez le collier récepteur du cou de votre animal et pénétrez dans la limite de la zone. Le collier récepteur doit émettre un signal sonore. Dans le cas contraire, remplacez la pile.
Est-ce que les véhicules, les bâtiments et les obstacles naturels (arbres, arbustes, etc.) peuvent affecter le fonctionnement du système sans fil ?	<ul style="list-style-type: none"> • Oui. Le fait de placer le transmetteur dans un bâtiment en métal peut réduire la portée maximale du système sans fil. • Le fait de garer un véhicule à l'intérieur de la zone autorisée peut réduire la portée du système et provoquer une stimulation électrostatique qui ne se serait pas produite si le véhicule n'était pas là. • Les objets métalliques fixes comme les hangars peuvent affecter le signal en réduisant la portée maximale du système à l'endroit où se trouve l'objet. Dans ce cas, votre animal risque de recevoir une stimulation électrostatique.
Que faire si le cou de mon animal rougit et est irrité ?	<ul style="list-style-type: none"> • Une telle réaction survient lorsque les points de contact irritent la peau de votre animal. Cessez d'utiliser le collier récepteur pendant quelques jours. Si l'irritation persiste au-delà de 48 heures, consultez un vétérinaire. Dès que la peau est guérie, remettez le collier récepteur et surveillez attentivement la peau de votre animal.
Puis-je attacher une laisse au collier récepteur ?	<ul style="list-style-type: none"> • Non. Les points de contact pourraient exercer une pression trop importante sur le cou de votre animal. En cas de besoin, attachez une laisse à un autre collier non métallique que vous mettrez au-dessus du collier récepteur.
Pourquoi le collier récepteur est-il pourvu d'un mode de signal sonore uniquement ?	<ul style="list-style-type: none"> • Le mode de signal sonore uniquement peut vous être utile lorsque vous dressez votre animal à prendre conscience des limites ou pour les animaux bien dressés qui n'ont plus besoin de stimulation statique.

Résolution des problèmes

Le collier récepteur n'émet pas de signal sonore lors de la détermination de la zone de délimitation.	<ul style="list-style-type: none"> • Le signal sonore peut être difficile à percevoir dans un environnement bruyant. • Installez la lampe témoin comme expliqué dans la section « Instructions relatives à la clé multifonctions » et utilisez-la pour déterminer l'emplacement de la limite de la zone. • Vérifiez que l'émetteur est réglé conformément aux instructions et installez une nouvelle pile à une distance maximale de 1,5 m à 3 m de l'émetteur. • Resynchronisation du système (page 46).
--	---

<p>Le collier récepteur n'émet aucun signal sonore et n'administre aucune stimulation.</p>	<ul style="list-style-type: none"> • Vérifiez que l'émetteur est branché sur une prise en état de marche et est sous tension, que le voyant de mise sous tension est allumé et que les réglages sont appropriés à vos besoins. • Vérifiez que la pile du collier récepteur est correctement installée. • En cas de remplacement de la pile, veillez à vous placer à une distance maximale de 1,5 m à 3 m de l'émetteur. • Resynchronisation du système (page 46).
<p>Le collier récepteur émet un signal sonore, peu importe l'endroit où on se trouve.</p>	<ul style="list-style-type: none"> • Vérifiez que l'émetteur est branché sur une prise en état de marche et est sous tension, que le voyant de mise sous tension est allumé et que les réglages sont appropriés à vos besoins. • Réglez à nouveau le collier récepteur à une distance maximale de 1,5 m à 3 m de l'émetteur. • Resynchronisation du système (page 46).
<p>Le collier récepteur émet un signal sonore à l'intérieur de la maison.</p>	<ul style="list-style-type: none"> • Vérifiez que l'émetteur est allumé et réglé conformément aux instructions. • Vérifiez que tout le bâtiment se trouve dans la zone réservée à l'animal. Vous devrez peut-être repositionner l'émetteur afin d'inclure la maison entière dans la zone réservée à l'animal. • En cas de repositionnement de l'émetteur, enlevez le collier récepteur du cou de votre animal avant d'éteindre l'émetteur. • Resynchronisation du système (page 46).
<p>Mon animal reçoit des stimulations électrostatiques dans sa caisse métallique.</p>	<ul style="list-style-type: none"> • Le collier-récepteur s'active quand il perd le signal du transmetteur. La caisse métallique peut bloquer le signal du transmetteur ce qui provoque l'activation du collier-récepteur. • Enlevez le collier-récepteur de votre animal quand vous le mettez dans sa caisse métallique.
<p>Il semblerait que la limite de la zone soit variable.</p>	<ul style="list-style-type: none"> • C'est normal étant donné le champ électromagnétique généré par le système sans fil. Ce champ peut être affecté par les bruits électroniques environnants qui peuvent induire une variation maximale de 5 %. • L'activation du collier récepteur est influencée par la vitesse et l'orientation du collier récepteur au moment où l'animal pénètre dans la limite de la zone.
<p>Le collier récepteur s'active au milieu du jardin.</p>	<ul style="list-style-type: none"> • Le collier récepteur s'active lorsqu'il perd le signal transmis par l'émetteur. Cela peut notamment survenir lorsqu'un objet métallique de grande taille se situe entre le collier récepteur et l'émetteur, si l'orientation du collier récepteur change à proximité de la limite de la zone ou lorsque des bruits électroniques environnants interfèrent avec le signal. Si cette situation perdure, envisagez de repositionner l'émetteur et de redéfinir la zone réservée à l'animal. • Resynchronisation du système (page 46).

<p>Le collier récepteur émet un signal sonore mais l'animal ne réagit pas à la stimulation statique.</p>	<ul style="list-style-type: none"> • Vérifiez que le niveau d'intensité de la stimulation statique correspond à 2 ou plus. • Testez le collier récepteur à l'aide de la lampe témoin. • Si la lampe témoin clignote, vérifiez que le collier récepteur est bien ajusté au cou de votre animal. • Coupez les poils de votre animal au niveau du contact entre les points de contact du collier et la peau de votre animal et/ou utilisez les points de contact longs. • Augmentez le niveau d'intensité de la stimulation statique. • Répétez les étapes de dressage afin de renforcer l'apprentissage de votre animal.
<p>Mon animal réagit fortement à la stimulation statique administrée et est devenu craintif.</p>	<ul style="list-style-type: none"> • Diminuez le niveau d'intensité de la stimulation statique. • Veillez à bien maîtriser votre animal lorsqu'il reçoit ses premières stimulations statiques (tenez-le à l'aide d'une laisse attachée à un autre collier non métallique). Ensuite, ramenez-le vers la zone qui lui est réservée et félicitez-le. Si l'animal demeure craintif, interrompez le dressage et reprenez le lendemain. Veillez à toujours conclure les séances de dressage sur une note positive en félicitant l'animal et en jouant avec lui.
<p>Le voyant de mise sous tension ne s'allume pas.</p>	<ul style="list-style-type: none"> • Vérifiez que l'interrupteur de mise sous/hors tension est allumé et que l'adaptateur secteur est branché à l'émetteur et sur une prise de courant standard en état de fonctionnement.
<p>Après avoir diminué la molette de réglage des limites lors de la définition de la zone réservée à l'animal, le collier récepteur a cessé d'émettre un signal sonore et d'administrer une stimulation.</p>	<ul style="list-style-type: none"> • Il se peut que vous ayez diminué la molette de commande des limites trop rapidement, ce qui aura fait passer le collier récepteur en mode panne de courant. Cette fonction de sécurité vise à protéger l'animal en cas de coupure de courant de l'émetteur. Tenez le collier récepteur à une distance maximale de 1,5 m à 3 m de l'émetteur et tournez la molette de réglage des limites sur la position « 8 », puis redéfinissez la limite de la zone tout en veillant à diminuer la molette lentement.
<p>Mon voisin possède un système anti-fugue In-Ground et le collier-récepteur ne s'active pas à proximité de sa propriété.</p>	<ul style="list-style-type: none"> • Le système anti-fugue In-ground de votre voisin peut interférer avec le fonctionnement du collier-récepteur en empêchant son activation à proximité de la clôture de celui-ci. Pour réduire les interférences, réduisez la taille de la zone autorisée ou éloignez le transmetteur du système de clôture In-Ground. • Ajustez la zone autorisée de telle façon que le collier-récepteur s'active jusqu'à environ 1,5 m au delà des limites réduites du périmètre lorsque l'on se déplace vers la clôture In-Ground.

Le collier-récepteur blesse le cou de l'animal.

Des ulcères cutanés sont apparus parce que vous n'avez pas suivi les importantes consignes de sécurité fournies au début du manuel d'utilisation et de dressage. Lorsque ces ulcères sont avancés, les lésions du cou du chien ont parfois l'aspect de brûlures. Vous devez savoir que les colliers électroniques n'emploient pas une énergie suffisante pour causer des brûlures électriques. L'énergie des impulsions émises ne dépasse pas quelques millièmes de joule ; elle est du même ordre que les décharges électrostatiques que vous sentez parfois en sortant de votre voiture. Dans certains cas, les ulcères cutanés sont décrits comme ayant l'aspect de brûlures chimiques. La pile RFA-67D-11 est confinée dans son compartiment à l'intérieur du collier-récepteur. Du fait de ce confinement, il est impossible, sauf en cas d'emploi erroné ou abusif, que la pile du collier-récepteur coule sur le cou du chien. Référez-vous et respectez les importantes consignes de sécurité de la page 24, ainsi que les instructions données à la étape 5 sous la rubrique « Mise en place du collier-récepteur ».

Resynchronisation du système

1. Enlevez le collier-récepteur de votre animal.
2. Retirez la pile du collier-récepteur. Déchargez toute l'alimentation en maintenant le bouton de réglage du niveau de stimulation appuyé jusqu'à ce que le DEL s'éteigne.
3. Au niveau du transmetteur, déplacez le sélecteur de limite de périmètre de la position basse à la position haute.
4. Réglez doucement la commande de limite de périmètre du niveau 8 au niveau 1 puis placez-le à nouveau en position n°4.
5. En vous tenant à une distance comprise entre 1,5 m et 3 m du transmetteur, réinsérez la pile dans le collier-récepteur.
6. Testez la zone de limite de périmètre et vérifiez le fonctionnement en marchant vers la zone autorisée jusqu'à ce que le collier-récepteur réponde. Avec le transmetteur réglé sur 4, il devrait s'activer entre 12 m et 15 m plus loin.

Une fois que vous êtes sûr que le système fonctionne correctement, remettez les commandes du transmetteur au paramétrage initial.



Élimination des piles usagées

Ce dispositif fonctionne sur une pile de type lithium 6 V 240 mAH. Ne la remplacez que par une pile équivalente obtenue en vous adressant au Service clientèle. Pour obtenir une liste des numéros de téléphone du centre de service clientèle, consultez notre site Web, www.petsafe.net. La collecte sélective des piles usagées est exigée dans de nombreux pays ; renseignez-vous sur les réglementations locales en vigueur avant d'éliminer les piles usagées. Reportez-vous à la page 30 qui contient les instructions sur le retrait de la pile afin de la mettre séparément au rebut.



Remarque importante concernant le recyclage

Veuillez vous conformer aux réglementations concernant les déchets des équipements électriques et électroniques de votre pays. Cet appareil doit être recyclé. Si vous n'avez plus besoin de cet appareil, ne le mettez pas dans le système de déchets normal. Veuillez le rapporter là où vous l'avez acheté pour qu'il soit recyclé. Si vous ne pouvez pas le faire, veuillez contacter le centre de service clientèle pour de plus amples informations.

Conformité

CE - Europe

Après épreuves, ce matériel a été déclaré conforme à la directive européenne R&TTE. Avant d'utiliser ce système en dehors des pays européens, veuillez consulter l'organisme compétent en la matière dans votre région. Toute modification du dispositif non autorisée par Radio Systems Corporation peut enfreindre la directive européenne R&TTE, peut annuler la capacité de l'acheteur à utiliser le dispositif et annule la garantie.

Radio Systems Corporation déclare par la présente que ce PIF-300-21 Système anti-fugue sans fil Wireless Pet Containment System™ est conforme aux exigences essentielles et autres dispositions pertinentes de la directive 1999/5/EC. Vous trouverez la déclaration de conformité à l'adresse : http://www.petsafe.net/customer-care/eu_docs.php.

IC- Canada

Le présent appareil est conforme aux CNR d'Industrie Canada applicables aux appareils radio exempts de licence. L'exploitation est autorisée aux deux conditions suivantes : (1) l'appareil ne doit pas produire de brouillage, et (2) l'utilisateur de l'appareil doit accepter tout brouillage radioélectrique subi, même si le brouillage est susceptible d'en compromettre le fonctionnement.

ACMA - Australie

Cet appareil est conforme aux normes applicables relatives à la compatibilité électromagnétique et spécifiées par l'ACMA (Australian Communications and Media Authority).

Conditions d'utilisation et limitation de responsabilité

1. Conditions d'utilisation

Ce produit vous est livré dans l'emballage que vous acceptez en l'état, sans modification des conditions, clauses et avis joints. L'utilisation du produit implique l'acceptation de l'ensemble de ces conditions, clauses et avis.

2. Utilisation adéquate

Ce produit est destiné à être utilisé avec des animaux domestiques devant être dressés. Le tempérament propre de votre animal peut être incompatible avec le produit. Si avez le moindre doute quant à l'utilisation adéquate de ce système pour votre animal, veuillez consulter votre vétérinaire ou un dresseur agréé.

3. Aucune utilisation illégale ou interdite

Ce produit est conçu pour être utilisé avec des animaux uniquement. Ce système de dressage d'animaux domestiques n'est pas destiné à nuire, blesser ou provoquer les animaux. L'utilisation de ce système à des fins autres que celles prévues peut entraîner le non-respect des lois nationales, régionales ou spécifiques de chaque Etat.

4. Limitation de responsabilité

La société Radio Systems Corporation ne peut en aucun cas être tenue pour responsable de tout dommage direct, indirect, dissuasif, accidentel ou particulier ou de tout dommage de quelque nature que ce soit causé ou associé à l'utilisation ou à l'utilisation inappropriée du produit. L'acquéreur assume tous les risques et l'entière responsabilité en ce qui concerne l'utilisation du produit.

5. Modification des conditions

La société Radio Systems Corporation se réserve le droit de modifier les conditions, clauses et avis concernant le produit en question.

BELANGRIJKE VEILIGHEIDSINFORMATIE

Uitleg van in deze handleiding gebruikte belangrijke woorden en symbolen



Dit is het symbool voor een veiligheidswaarschuwing. Het wordt gebruikt om u te wijzen op mogelijke risico's van persoonlijk letsel. Volg alle veiligheidsberichten op die volgen op dit symbool om mogelijk letsel of overlijden te voorkomen.

⚠ WAARSCHUWING

WAARSCHUWING geeft een risicovolle situatie aan die, wanneer deze niet vermeden wordt, kan leiden tot overlijden of ernstig letsel.

⚠ VOORZICHTIG

VOORZICHTIG zonder de combinatie met het symbool voor veiligheidsalarm, geeft een risicovolle situatie aan die, wanneer deze niet vermeden wordt, kan leiden tot letsel bij uw huisdier.

AANWIJZING

AANWIJZING wordt gebruikt om te wijzen op veilige gebruikshandelwijzen, niet gerelateerd aan persoonlijk letsel.

⚠ WAARSCHUWING

- Niet voor gebruik bij agressieve honden. Gebruik dit product niet indien uw hond agressief is of indien uw hond neigt tot agressief gedrag. Agressieve honden kunnen hun baas of anderen ernstig of zelfs dodelijk verwonden. Als u er niet zeker van bent of dit een goed idee is voor uw huisdier, neem dan contact op met uw dierenarts of een gediplomeerd trainer.
- Risico op elektrische schok. Gebruik de omheiningzender binnen alleen op droge locaties.

⚠ VOORZICHTIG

- Dit systeem is GEEN massieve barrière. Het systeem is ontworpen om een afschrikking te zijn voor huisdieren, om ze door middel van een statische Stimulans binnen de vastgestelde grens te houden. Het is belangrijk dat u de training met uw huisdier regelmatig herhaalt. Omdat de tolerantie van dier tot dier verschilt, kan Radio Systems Corporation NIET garanderen dat het systeem een huisdier in alle gevallen binnen de ingestelde begrenzing houdt. Niet alle huisdieren kunnen worden getraind om binnen de grens te blijven! Als u dus reden hebt om aan te nemen dat uw huisdier een gevaar kan vormen voor anderen of voor zichzelf, wanneer dit huisdier niet binnen het product gehouden wordt, mag u NIET alleen op dit systeem vertrouwen om uw huisdier onder controle te houden. Radio Systems Corporation is NIET aansprakelijk voor schade aan eigendommen, economische verliezen of andere opgelopen gevolgschade als resultaat van een dier dat de grens is overgestoken.
- Een juiste pasvorm van de halsband is belangrijk. Wanneer een halsband te lang gedragen wordt, of wanneer deze te strak om de nek van het huisdier zit, kan dit beschadiging van de huid veroorzaken. Dit kan variëren van roodheid tot drukzweren en is algemeen bekend als een bedzweer.
 - Laat de halsband niet langer dan 12 uur per dag dragen.
 - Positioneer de halsband, indien mogelijk, elke 1 tot 2 uur opnieuw om de nek.
 - Controleer de pasvorm om overmatige druk te voorkomen; volg de instructies in deze handleiding.
 - Sluit nooit een riem aan op de elektronische halsband; dit zal leiden tot overmatige druk op de contactpunten.
 - Bij gebruik van een aparte halsband voor een riem mag er geen druk staan op de elektronische halsband.
 - Was de nek van de hond en de contactpunten van de halsband wekelijks met een vochtige doek.
 - Inspecteer het contactgebied dagelijks op tekenen van uitslag of zweren.
 - Als uitslag of een zweer worden aangetroffen, stop dan het gebruik van de halsband tot de huid geheel is.
 - Als deze conditie langer dan 48 uur aanhoudt, bezoek dan uw dierenarts.
 - Voor aanvullende informatie over decubitus en drukkneuse bezoekt u onze website.

VOORZICHTIG

Deze stappen zullen helpen uw huisdier zich veilig en comfortabel te laten voelen. Miljoenen huisdieren voelen zich prima bij het dragen van roestvrij stalen contactpunten. Sommige huisdieren zijn overgevoelig voor contactdruk. U kunt er na enige tijd achterkomen dat uw huisdier de halsband goed verdraagt. Als dit zo is, kunnen deze voorzorgsmaatregelen wat versoepeld worden. Het is belangrijk het contactgebied dagelijks te blijven controleren. Als roodheid of zweren worden aangetroffen, stop dan met gebruik tot de huid volledig geheeld is.

- Het kan nodig zijn de vacht in het gebied van de contactpunten bij te knippen. Scheer de nek van het huisdier nooit; dit kan leiden tot uitslag of infectie.
- Doe uw hond de ontvangerhalsband altijd af voordat u de zender gaat testen.
- Uw hond mag de ontvangerhalsband niet om hebben bij het testen van het systeem. Uw huisdier zou een onbedoelde correctie kunnen krijgen.
- De grensbreedte van het systeem moet altijd getest worden als de omheining van het veld gewijzigd is om te voorkomen u dat uw huisdier onbedoeld gecorrigeerd wordt.
- Als u een halsband en riem gebruikt voor de training, let dan goed op dat de extra halsband geen druk uitoefent op de contactpunten.
- Haal nooit de stroom van het systeem als uw huisdier de halsband draagt. Hierdoor zou de ontvangerhalsband geactiveerd kunnen worden.
- Radio Systems Corporation adviseert het gebruik van een niet-onderbreekbare stroomvoorziening (Uninterruptible Power Supply, UPS) voor gebruik met uw draadloze hek. Anders zou uw huisdier onbeschermd zijn als er een stroomonderbreking optreedt bij u thuis. Stroomstoringen zijn onvoorspelbaar en door een UPS te gebruiken, wint u tijd om uw huisdier aan de riem te leggen.

In zeldzame gevallen kan het gebeuren dat uw huisdier een correctie krijgt als hij nabij de grens is op het moment van de stroomonderbreking. Deze correctie houdt vanzelf op na een stroomonderbreking van 30 seconden. De correctie is het gevolg van de werking van de halsband: deze wordt geactiveerd als er geen omheiningssignaal ontvangen wordt.

De resultaten zijn afhankelijk van de specificaties van de UPS-fabrikant, maar hieronder worden een aantal kenmerkende voorbeelden gegeven om u te helpen bij de keuze voor een UPS-systeem:

- Met een UPS van 400 VA kunt u 3 uur reservetijd verwachten.
- Met een UPS van 900 VA kunt u 8 uur reservetijd verwachten.

Als u instellingen gebruikt voor kleinere omheiningen dan de maximale hekgrootte, mag u op extra reservetijd rekenen. Bij de minimale afmetingen van de omheining kan de reservetijd meer dan twee keer zo lang zijn dan de geschatte reservetijd voor de maximale omheining.

AANWIJZING

- Om een onbedoelde correctie te voorkomen, moet u er goed op letten dat u na het instellen van de grensvlaggen de statische Stimulans op de ontvangerhalsband weer terugzet naar niveau 1, enkel piepen.
- Plaats niets bovenop de zender en bedek de ventilatiegaten niet. Hierdoor zou de zender oververhit kunnen raken en voortijdig defect kunnen raken.
- Plaats de zender niet in een kast of andere afgesloten, niet-geventileerde ruimte.

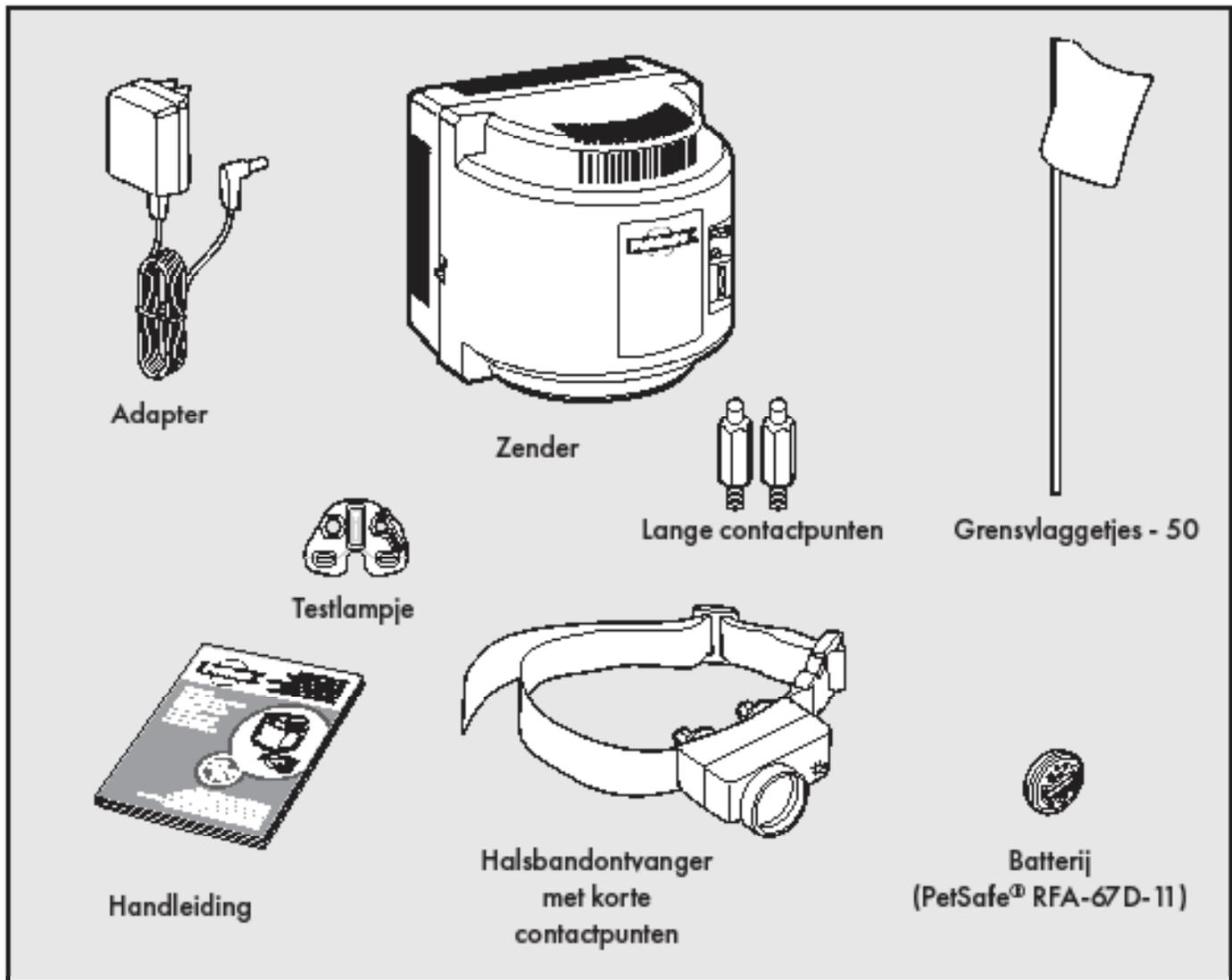
Bedankt dat u voor het merk PetSafe® heeft gekozen. U en uw huisdier verdienen vriendschap met onvergetelijke momenten en wederzijds begrip. Met onze producten en trainingsmiddelen bevorderen we een levensstijl van bescherming, leren en liefde; van essentieel belang om unieke herinneringen te creëren. **Als u vragen heeft over onze producten of het trainen van uw huisdier, bezoek dan onze website: www.petsafe.net of neem contact op met de klantenservice. Voor een lijst van telefoonnummers van de klantenservice bezoekt u onze website: www.petsafe.net.**

Om volop van uw garantie te kunnen genieten, verzoeken wij u uw product binnen 30 dagen te registreren via www.petsafe.net. Als u uw product registreert en uw aankoopbon bewaart, heeft u volledige garantie op het product, en mocht u ooit een keer genoodzaakt zijn de klantenservice te bellen, dan zijn wij in staat u sneller te helpen. Belangrijk: PetSafe® zal uw waardevolle informatie nooit aan derden geven of verkopen. De volledige informatie over de garantie is beschikbaar op www.petsafe.net.

Inhoudsopgave

Onderdelen.....	51
Wat u nog nodig hebt	51
Hoe werkt het systeem?.....	52
Definities.....	52
Handleiding	
De zender opstellen.....	53
De ontvangerhalsband klaarmaken	54
Verificatie batterijcontact	55
Geef het huisdieren de gewenste omvang	56
Tabel van het zenderbereik.....	57
Breng de grensvlaggetjes aan.....	58
De ontvangerhalsband aanpassen.....	58
Trainingshandleiding	
Wees geduldig met uw hond	60
Dag 1 – Uw hond bewust maken van de aanwezigheid van de grensvlaggetjes	60
Dag 2 tot en met dag 4 – Uw hond verder bewust maken van de aanwezigheid van de grensvlaggetjes.....	62
Dag 5 tot en met dag 8 - Afleidingsfase.....	62
Dag 9 tot en met dag 14 – Toezicht zonder leiband	63
Dag 15 tot en met dag 30 – Uw huisdier controleren	64
Met uw hond zijn gebied verlaten	64
Een verplaatsbaar draadloos systeem	64
Accessoires	65
Vaak gestelde vragen	65
Problemen oplossen.....	68
Synchroniseer het systeem opnieuw.....	70
Afvoer van batterijen	70
Conformiteit	71
Gebruiksvoorwaarden en aansprakelijkheid.....	71

Onderdelen



Wat u nog nodig hebt

- Tang
- Schaar
- Aansteker
- Boor & montagegereedschap
- Meetlint
- Niet-metalen halsband en leiband

Hoe werkt het systeem?

Het Draadloos omheiningssysteem voor huisdieren Wireless Pet Containment System™ is veilig, comfortabel en doeltreffend voor alle huisdieren die meer dan 3,6 kg wegen. Het systeem zendt een radiosignaal uit in alle richtingen over een afstand van 27,5 m. U kunt het gebied van uw hond tijdelijk afbakenen met grensvlaggetjes als visueel hulpmiddel bij de africhting van het dier. Uw hond heeft een ontvangerhalsband om met contactpunten die met de hals in aanraking zijn. Zodra het dier is afgericht, mag het vrij rondlopen binnen zijn gebied. Wanneer het dier bij het grensgebied komt, geeft de ontvangerhalsband een waarschuwingstoon gevolgd door een veilige statische Stimulans via de contactpunten om de aandacht van het dier te trekken, zodat het binnen zijn gebied blijft.

Definities

Zender: Zendt het radiosignaal uit en is het midden van het huisdieren.

Huisdieren: Gebied rond de zender waar uw hond vrij kan rondlopen.

Grensgebied: 0,6 m tot 1 m breed gebied rond het huisdieren waar de ontvangerhalsband begint te piepen en een statische Stimulans geeft. De correctie begint in het grensgebied en blijft duren zolang het dier zich buiten het huisdieren bevindt. *Opmerking:* De ontvangerhalsband is uitgerust met een veiligheidsmechanisme waardoor de correctie na 30 seconden ophoudt als het dier zich nog steeds buiten het huisdieren bevindt.

Ontvangerhalsband: Ontvangt het radiosignaal van de zender.

Knopje van het stimulatie-niveau: Regelt het niveau van de statische Stimulans die uw hond krijgt als hij het huisdieren verlaat.

Verklikkerlampje van de ontvanger: Geeft het correctieniveau van de ontvangerhalsband weer. Het geeft bovendien aan dat de batterij bijna leeg is.

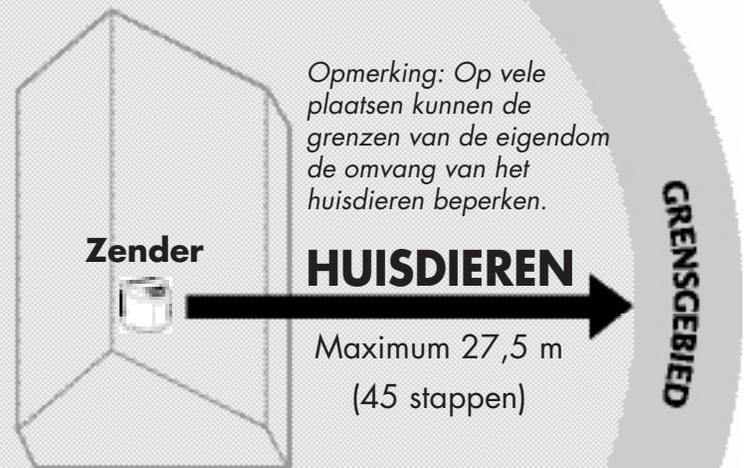
Contactpunten: Geven de statische Stimulans als uw hond het grensgebied betreedt.

Stekerbuis: Om de adapter in de zender te steken. De zender wordt gevoed via een standaard stopcontact.

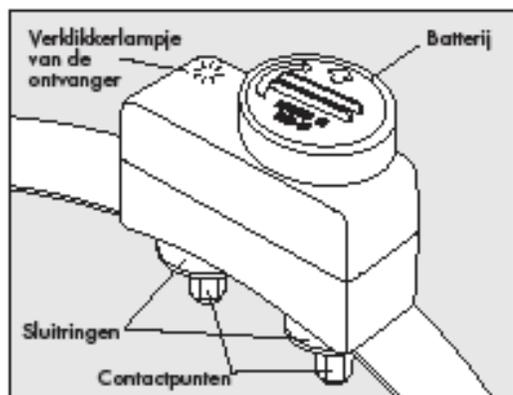
Grensschakelaar: Om de grootte van het huisdieren te regelen.

Verklikkerlampje voor de stroom: Brandt als de zender aan staat.

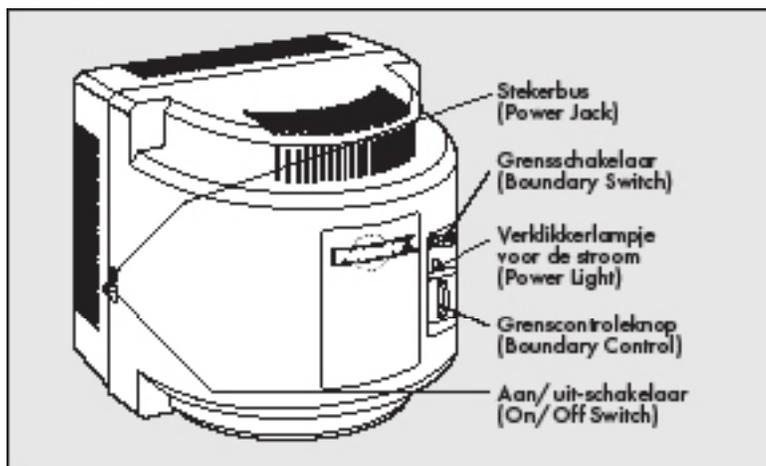
Grenscontroleknop: Om de afstand tussen de zender en het grensgebied te regelen. *Opmerking:* Door aan deze knop te draaien, wijzigt u het niveau van de statische Stimulans niet.



Ontvangerhalsband



Zender



HANDLEIDING

STAP 1

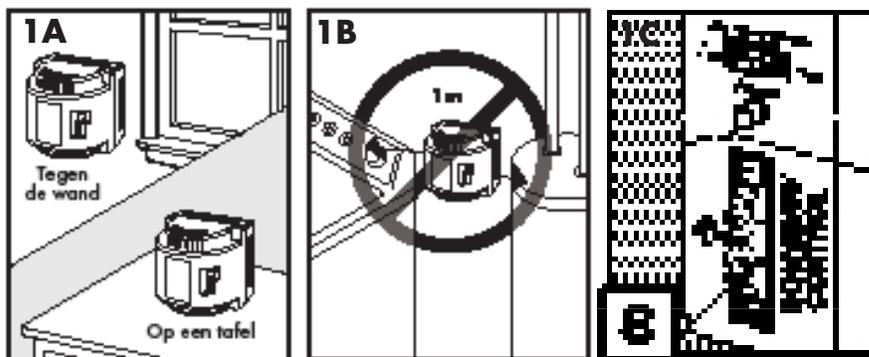
De zender opstellen

Belangrijk: Het kan zijn dat u de zender enkele malen moet verplaatsen alvorens u de juiste plaats ervoor hebt gevonden.

De zender bevindt zich precies in het midden van het huisdieren. Plaats de zender:

- op de begane grond van uw woning, en op minstens 60 cm van de vloer.
- in een droge, goed verluchte en beschermde ruimte.
- op een plaats waar de temperatuur nooit onder 0° zakt (bijv. garage, kelder, schuurtje, bergruimte).
- op een niet-metalen tafel of tegen de wand (**1A**). Achteraan in deze handleiding vindt u een patroon dat u kunt gebruiken om de zender tegen de wand te bevestigen.
- op ten minste 1 m afstand van grote metalen voorwerpen, aangezien die de omvang van het huisdieren kunnen verkleinen (**1B**).

Om het huisdieren zo groot mogelijk te maken zet u de grenschakelaar op "High" en de grenscontroleknop op "8" (**1C**). Steek de adapter in het standaard stopcontact en zet de zender aan.



STAP 2

De ontvangerhalsband klaarmaken

Op de ontvangerhalsband worden standaard de korte contactpunten aangebracht. Gebruik de lange contactpunten voor dieren met lange of dikke vacht. Verwijder de contactpunten en zet ze strakker m.b.v. het testlamphulpmiddel (**2A**). De contactpunten moeten een halve slag verder gedraaid worden dan met de hand. Controleer wekelijks of ze nog goed vastzitten.

Batterij plaatsen en verwijderen

Opmerking: Plaats de batterij niet wanneer het dier de ontvangerhalsband om heeft.

Die procedure moet op maximum 1,5 m van de zender gebeuren.

Deze ontvangerhalsband werkt op een vervangbare PetSafe® batterij (RFA-67D-11). Deze unieke batterij werd ontworpen om batterijen makkelijker te kunnen vervangen en ze beter bestand te maken tegen vocht.

Plaats de batterij zodat de symbolen op de batterij (pijl) en de ontvangerhalsband (driehoekje) tegenover elkaar komen te liggen (**2B**). Draai met de rand van het testlamphulpmiddel (**2B**) de batterij met de klok mee totdat de pijl op één lijn staat met het slotsymbool op de behuizing.

Om de batterij te verwijderen, draait u de batterij tegen de klok in met de rand van het testlamphulpmiddel (**2C**). PROBEER NIET om in de batterij te kerven of open te maken. Ontdoe u op gepaste wijze van batterijen.

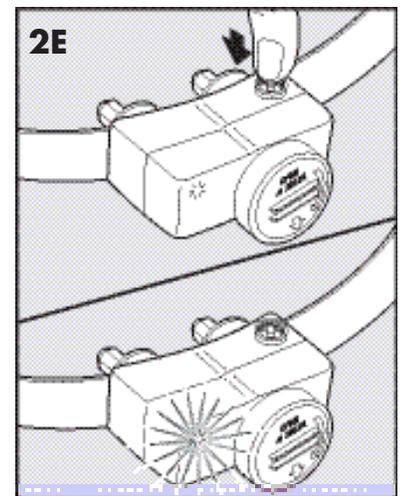
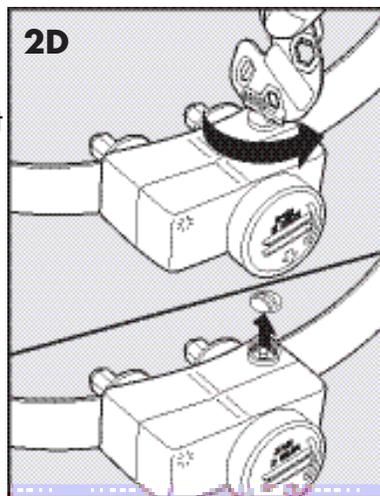
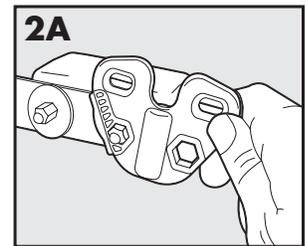
Als het verklikkerlampje van de ontvanger elke 4 tot 5 seconden knippert, is de batterij toe aan vervanging. Verwijder de oude batterij van de ontvangerhalsband. Ontlaad de halsband door het knopje van het stimulatie-niveau in te drukken totdat het lampje uitgaat. Vervang de oude batterij met een nieuwe.

Bij heel wat detailhandelaars vindt u een PetSafe® batterij (RFA-67D-11). Neem contact op met het Klantenservice of surf naar onze website: www.petsafe.net voor adressen in uw buurt.

Statische Stimulans instellen

Lees eerst alle onderstaande stappen door voordat u het statische Stimulans aan gaat passen. Raadpleeg de functie- en reactietabel hieronder voor advies over de instelling van het correctieniveau dat het beste bij uw huisdier past.

1. Verwijder het transparante plastic deksel met de rand van het testlamphulpmiddel om de knopje van het stimulatie-niveau zichtbaar te maken (**2D**).
2. Zorg ervoor dat er een batterij in het apparaat zit, druk op de knopje van het stimulatie-niveau en laat die los wanneer het LED-verklikkerlampje op de ontvanger oplicht (**2E**).



3. Het LED-verklikkerlampje op de ontvanger knippert een aantal keer en geeft zo het statische Stimulans aan.
4. Verhoog het statische Stimulans door de knopje van het stimulatie-niveau in te drukken en weer los te laten binnen 5 seconden na de vorige reeks knipperlichtjes.
5. Nadat het statische Stimulans is ingesteld, plaatst u het afdekplaatje terug om de knopje van het stimulatie-niveau te beschermen.

De statische Stimulanss lopen op van 1 tot 6. Als u de knopje van het stimulatie-niveau indrukt terwijl de ontvangerhalsband op niveau 6 staat ingesteld, gaat de ontvangerhalsband weer naar niveau 1. Raadpleeg de Functie- en reactietabel om het statische Stimulans te kiezen dat het best bij uw hond past.

Het LED-verklikkerlampje op de ontvanger geeft ook aan wanneer de batterij bijna leeg is en knippert dan om de 4 tot 5 seconden.

Verificatie batterijcontact

Doe uw hond de ontvangerhalsband af. Druk op de knop en controleer of het LED-lampje brandt. Als het LED-lampje niet brandt, verwijdert u de batterij. Zoek de metalen lipjes in de batterijuitsparing. Til de lipjes voorzichtig op om er voor te zorgen dat de batterij er goed contact mee kan maken. Plaats de batterij terug in de ontvangerhalsband. Druk op de knop en controleer of het LED-lampje brandt.

Functie- en reactietabel

Reactie verklikkerlampje	Statische Stimulans	Functie ontvangerhalsband	Temperament van huisdier
1 x knipperen	1	Geen statische Stimulans, Enkel Piepen	
2 x knipperen	2	Geringe statische Stimulans	Timid
3 x knipperen	3	Geringe-middelmatige statische Stimulans	Schuchter of gemiddelde energie
4 x knipperen	4	Middelmatige statische Stimulans	Gemiddelde energie
5 x knipperen	5	Middelmatige-sterke statische Stimulans	Gemiddeld tot veel energie
6 x knipperen	6	Sterke statische Stimulans	Veel energie
Knippert om de 4 tot 5 seconden		Batterij bijna leeg	

Bescherming tegen overcorrectie

Als uw hond het grensgebied binnen komt of zich voorbij de vrije ruimte voor huisdieren begeeft, zorgt deze functie ervoor dat de duur van de statische Stimulans tot 30 seconden beperkt wordt.

Mocht het gebeuren dat uw huisdier de vrije ruimte verlaat (wat onwaarschijnlijk is), dan krijgt hij geen statische Stimulans op het moment dat hij terugkeert naar de vrije ruimte.

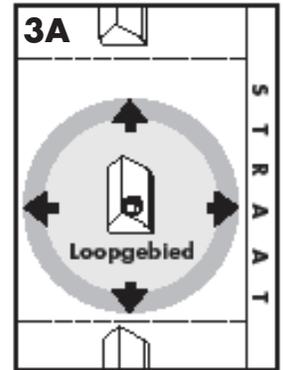
STAP 3

Geef het huisdieren de gewenste omvang

Zorg ervoor dat het huisdieren binnen de grenzen van uw eigendom valt (**3A**). Begin bij het bepalen van het grensgebied altijd met de kortste afstand tussen grensgebied en zender. Zet de grensschakelaar op "Low" als het grensgebied minder dan 13,5 m verwijderd is van de zender.

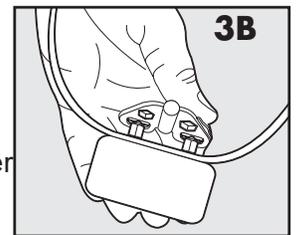
Controleer of de batterij van de ontvangerhalsband juist geplaatst is, of het correctieniveau op 2 of hoger ingesteld is en of de contactpunten van het testlampje de contactpunten raken (**3B**).

Opmerking: Raadpleeg de paragraaf Problemen oplossen (pag. 67) als uw buurman een omheiningssysteem met draad heeft.



Instructies voor testlampje

1. Stel het correctieniveau op 2 of hoger.
 2. Houd de contactpunten van het testlampje tegen de contactpunten.
 3. Loop, terwijl u de ontvangerhalsband op de hoogte van de nek van uw huisdier grensgebied totdat het testlampje knippert.
- Bewaars het testlampje voor latere testen.



Opmerking: Als het testlampje niet knippert, installeert u een nieuwe batterij en herhaalt de test. Neem als het testlampje nog steeds niet knippert contact op met de Klantenservice of bezoek onze website op www.petsafe.net.

Om de vrije ruimte voor uw huisdier zo groot mogelijk te maken, zet u de grensschakelaar op "High" (Hoog) en de grenscontroleknop op "8". Steek de adapter in de stekkerbus en in een standaard stopcontact.

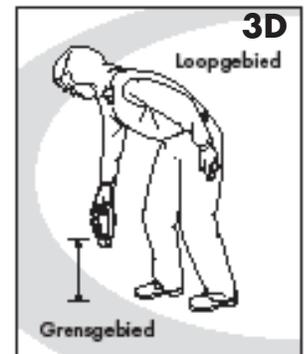
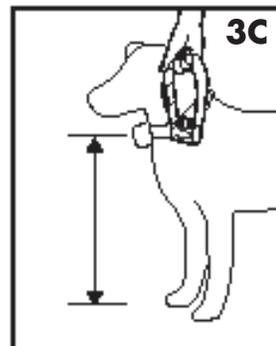
Methode met twee personen

Houd de ontvangerhalsband op de hoogte van de hals van uw hond (**3C**) en zorg ervoor dat de kant met het logo van de zender weg is gedraaid. Ga naar de rand van het gewenste huisdieren. Houd de ontvangerhalsband boven de rand van het gewenste huisdieren en zorg er nog steeds voor dat de kant met het logo van de zender weg is gedraaid (**3D**).

Begin met de grenscontroleknop in stand "8" en laat een tweede persoon die LANGZAAM lager draaien. Als de ontvangerhalsband begint te piepen, moet die persoon stoppen met aan de knop te draaien. Noteer uw instellingen hieronder, zodat u ze later nog kunt raadplegen.

Methode met één persoon

Meet de kortste afstand van het gewenste grensgebied naar de zender. Zoek deze afstand op in de tabel van het zenderbereik op Page 57 en stel de grensschakelaar en de grenscontroleknop in. Houd de contactpunten van het testlampje tegen de contactpunten (**3B**). Neem de ontvangerhalsband naar het grensgebied met het logo afgekeerd van de zender en de contactpunten naar boven (**3C**). Houd de ontvangerhalsband op de hoogte van de nek van uw huisdier (**3D**) totdat de ontvangerhalsband piept en het testlampje knippert.



Als de ontvangerhalsband voor of na het gewenste grensgebied piept, gaat u terug naar de zender en past de grenscontroleknop aan. Herhaal dit proces totdat de ontvangerhalsband op de gewenste locatie piept. Noteer de instellingen op pagina 57 voor toekomstig gebruik

Tabel van het zenderbereik

(Opmerking: De afstanden zijn bij benadering aangegeven.)

Stand van de grenscontroleknop	Grensschakelaar op LOW	Grensschakelaar op HIGH
1	1,5 m tot 3 m	1,5 m tot 3 m
2	1,5 m tot 3 m	1,5 m tot 3 m
3	4,5 m tot 6 m	7,5 m tot 12 m
4	6 m tot 7,5 m	12,5 m tot 16,5 m
5	7,5 m tot 9 m	16,5 m tot 19,5 m
6	10,5 m tot 12 m	23 m tot 26 m
7	12 m tot 13,5 m	26 m tot 27,5 m
8	12 m tot 13,5 m	26 m tot 27,5 m

Noteer uw instellingen

	Instelling van de grensschakelaar (HIGH of LOW)	Stand van de grenscontroleknop (1-8)	Niveau van de statische Stimulans (1-6)
Thuis			
Camping			
Vakantie			
Andere			

STAP 4

Breng de grensvlaggetjes aan

De grensvlaggetjes zijn visuele geheugensteuntjes voor uw hond zodat hij weet waar het grensgebied ligt. De ontvangerhalsband wordt geactiveerd op een afstand van 0,6 m tot 1 m van de grensvlaggetjes.

1. Met het testlampje en het correctieniveau op stand 2 of hoger houdt u de ontvangerhalsband op de hoogte van de nek van uw huisdier met het PetSafe®-logo afgekeerd van de zender.
2. Loop naar het grensgebied totdat de ontvangerhalsband piept en het testlampje knippert (**4A**).
3. Steek een grensvlaggetje in de grond (**4B**).
4. Loop terug naar het huisdieren tot wanneer het piepen ophoudt.
5. Herhaal die procedure tot er in het grensgebied om de 3 m een grensvlaggetje staat.



De grensvlaggetjes mogen in verschillende delen van het grensgebied staan en hoeven niet op één lijn te staan. Het grensgebied heeft een breedte van 0,6 m tot 1 m.

STAP 5

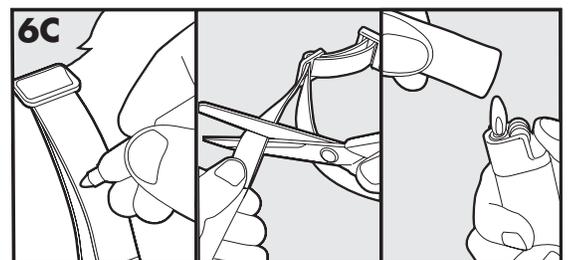
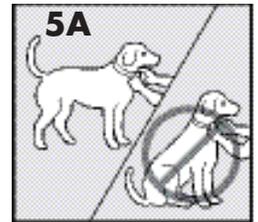
De ontvangerhalsband aanpassen

Belangrijk: voor een doeltreffende africhting is het van belang om ervoor te zorgen dat de ontvangerhalsband goed is aangebracht en goed past. De contactpunten moeten rechtstreeks in contact zijn met de huid van uw huisdier aan de onderkant van de nek.

To assure a proper fit, please follow these steps:

Voor een juiste pasvorm volgt u deze stappen:

1. Zorg ervoor dat de batterij niet in de ontvangerhalsband zit.
2. Laat uw huisdier gewoon rechtop staan, in een makkelijke houding (**5A**).
3. Om de waarschuwingston makkelijker te horen, brengt u de ontvangerhalsband bij het dier aan met het logo van de ontvanger naar boven toe.
4. Breng de contactpunten in het midden van de onderkant van de nek aan, zodat ze de huid raken. Heeft uw hond een lange of dikke vacht, maak dan gebruik van de meegeleverde lange contactpunten die door de vacht heen reiken.



VOORZICHTIG

Het kan nodig zijn de vacht in het gebied van de contactpunten bij te knippen. Scheer de nek van de hond nooit; dit kan leiden tot uitslag of een infectie.

5. Controleer of de ontvangerhalsband niet te strak zit door een vinger tussen het uiteinde van een contactpunt en de hals van het dier te steken. De halsband moet goed aanpassen, maar mag niet hinderen **(5B)**.
6. Laat uw hond een paar minuten wennen aan de ontvangerhalsband en controleer dan opnieuw of hij nog goed vast zit. Doe dat nogmaals wanneer het dier helemaal gewend raakt aan de ontvangerhalsband.
7. Knip de halsband als volgt **(5C)**:
 - a. Markeer de gewenste lengte van de ontvangerhalsband met een pen. Laat voldoende ruimte over als het dier nog niet volgroeid is of een dikke wintervacht krijgt.
 - b. Verwijder de ontvangerhalsband en knip het overtollige stuk eraf.
 - c. Voor u de ontvangerhalsband weer bij het dier aanbrengt, zorgt u er best voor dat het uiteinde niet gaat rafelen door het even dicht te schroeien met een aansteker.
8. Plaats de batterij in de ontvangerhalsband.

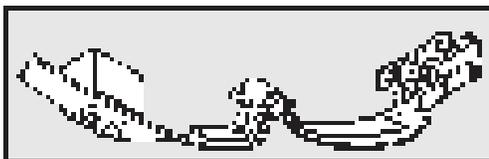
De halsband opnieuw bevestigen



Door de schuifgesp gaat de halsband niet te los zitten rond de nek van uw huisdier.



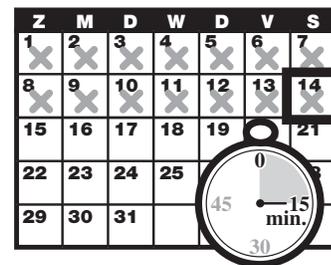
De randen moeten omhoog gericht zijn; de halsband raakt los als hij niet goed is bevestigd.



TRAININGSHANDLEIDING

Wees geduldig met uw hond

Belangrijk: Het is van essentieel belang voor het welslagen van het Draadloos omheiningssysteem voor huisdieren Wireless Pet Containment System™ dat uw hond goed getraind is. Neem dit hoofdstuk helemaal door alvorens met de training te beginnen. Denk eraan dat het Draadloos omheiningssysteem voor huisdieren Wireless Pet Containment System™ geen stevige afsluiting is.



- Zorg ervoor dat u zich samen met uw hond amuseert tijdens het trainingsproces. De training hoort leuk, fair, kortaard en consequent te zijn.
- Train telkens 10 tot 15 minuten. Doe niet te veel tijdens een trainingssessie en ga ook niet te snel te werk. Het is beter een groot aantal korte sessies te houden dan een kleiner aantal langere.
- We raden een training van minimum 14 dagen aan. Afhankelijk van uw hond en hoe snel hij bijleert, kan de training korter of langer duren.
- Als uw hond tekenen van stress vertoont, moet u het trainingsschema wat vertragen, bijkomende trainingdagen inlassen of meer speeltijd voorzien in het huisdieren. Veel voorkomende tekenen van stress zijn:
 - aan de leiband trekken richting huis
 - oren in de nek
 - hangende staart
 - lichaam dicht tegen de grond
 - zenuwachtige / uitzinnige bewegingen of verstijving van het lichaam
- Uw hond moet zich op het einde van elke trainingssessie helemaal op zijn gemak voelen in de buurt van de grensvlaggetjes. Las binnen een afstand van 3 meter van de grensvlaggetjes ten minste 5 minuten speeltijd in op het einde van elke sessie.
- Sluit elke trainingssessie op een positieve manier af met veel lof en spelletjes.
- Verwijder de ontvangerhalsband na iedere trainingssessie.
- Houd uw hond tijdens de trainingsperiode met een ander middel in toom.
- Als u tijdens de training met uw hond het huisdieren moet verlaten, verwijder dan de ontvangerhalsband en til uw hond op of zet hem in de wagen om het huisdieren te verlaten.
- Zelfs als u denkt dat uw hond goed reageert op de training, dient u de hele trainingsprocedure af te werken. Herhaling is belangrijk!

FASE 1

Dag 1 – Uw hond bewust maken van de aanwezigheid van de grensvlaggetjes

Houd drie sessies op dag 1. Elke sessie duurt 10 tot 15 minuten.

Doel:

Uw hond leren dat de grensvlaggetjes en het piepen van de ontvangerhalsband het nieuwe huisdieren afbakenen.

Vorbereiding:

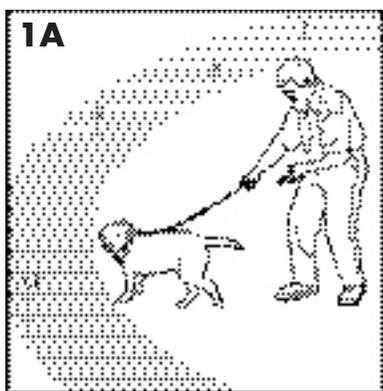
- Zet het statische stimulansniveau op de ontvangerhalsband op niveau 1, de toon-alleen trainingmodus.
- Breng BOVEN de ontvangerhalsband een niet-metalen halsband aan en maak er een leiband aan vast.

VOORZICHTIG Zorg dat de extra halsband geen druk uitoefent op de contactpunten.

- Zorg dat u kleine traktaties waar uw hond dol op is, bij de hand hebt.
- Zorg dat u het favoriete speeltje van uw hond bij de hand hebt.

Stappen:

1. Begin door met het huisdier aan de riem in de vrije ruimte voor het huisdier te lopen. Prijs hem rustig en praat tegen hem.
2. Beweeg in de richting van de grensvlaggen (**1A**). Blijf opgewekt.
3. Met uw huisdier volledig onder controle aan de riem loopt u naar de vlaggen. Als uw huisdier het grensgebied binnenkomt, begint de ontvangerhalsband te piepen (**1B**). Laat uw huisdier ten hoogste 2 seconden in het grensgebied en help hem dan terug naar de vrije ruimte (**1C**). Prijs hem onmiddellijk en geef hem iets lekkers als hij de vrije ruimte binnengaat, ook al heeft u hem met de riem geholpen.
4. Herhaal dit proces bij dezelfde grensvlag totdat uw huisdier tegenwerkt bij het binnengaan van het grensgebied.
5. Probeer per sessie 3 tot 4 grensvlaggen te behandelen. Zorg dat dit LEUK is! Prijs uw huisdier als hij snel teruggaat of niet het grensgebied in wil gaan.



FASE 2

Dag 2 tot en met dag 4 – Uw hond verder bewust maken van de aanwezigheid van de grensvlaggetjes

Houd drie sessies op dag 1. Elke sessie duurt 10 tot 15 minuten.

Doel:

Uw hond leren om in het huisdieren te blijven en de grens niet te overschrijden als u zich buiten het huisdieren bevindt.

Vorbereiding:

- Zet het statische stimulansniveau op de ontvangerhalsband op niveau 2.
- Breng BOVEN de ontvangerhalsband een niet-metalen halsband aan en maak er een leiband aan vast.

VOORZICHTIG Zorg dat de extra halsband geen druk uitoefent op de contactpunten.

- Zorg dat u kleine traktaties waar uw hond dol op is, bij de hand hebt.
- Zorg dat u het favoriete speeltje van uw hond bij de hand hebt.

Stappen:

1. Herhaal stap 1 tot 5 van fase één
2. Als uw huisdier niet reageert op de statische Stimulans, controleer dan of de ontvangerhalsband goed past, zie stap 5 op pagina 58.
3. Als de ontvangerhalsband goed past en als uw huisdier niet reageert op de statische Stimulans, verhoogt u het correctieniveau met 1 stap. Let op minieme reacties zoals de oren die omhoog gaan, de kop die draait en het naar de grond kijken.
4. Blijf bij dezelfde grensvlag totdat uw huisdier tegenwerkt bij het binnengaan van het grensgebied.

FASE 3

Dag 5 tot en met dag 8 - Afleidingsfase

Houd drie sessies op dag 1. Elke sessie duurt 10 tot 15 minuten.

Doel:

Uw hond leren om in het huisdieren te blijven terwijl hij wordt afgeleid door zaken buiten het huisdieren.

Vorbereiding:

- Zet het statische stimulansniveau op de ontvangerhalsband op niveau 2 of hoger, afhankelijk van de reactie dat uw huisdier vertoonde van dag 2 tot 4.
- Breng BOVEN de ontvangerhalsband een niet-metalen halsband aan en maak er een leiband aan vast.

VOORZICHTIG Zorg dat de extra halsband geen druk uitoefent op de contactpunten.

- Zorg dat u kleine traktaties waar uw hond dol op is, bij de hand hebt (bijv. worstjes of wat vlees).
- Zorg dat u het favoriete speeltje van uw hond bij de hand hebt.
- Zorg dat uw hond in de verleiding wordt gebracht om het grensgebied te betreden door bijvoorbeeld:
 - een gezinslid het huisdieren te doen verlaten.
 - een bal buiten het huisdieren te gooien.
 - een buur met zijn hond voorbij het huisdieren te laten wandelen.
- Zorg geleidelijk voor meer afleiding. **Lok of roep uw huisdier nooit buiten de vrije ruimte voor het huisdier.**

Stappen:

1. Houd uw hond volledig onder controle met de leiband en zorg dat hij wordt afgeleid.
2. Als uw hond geen aanstalten maakt om het huisdieren te verlaten, dient u hem te prijzen en hem een traktatie te geven.
3. Als hij echter wel aanstalten maakt om dat te doen, dient u hem het grensgebied te laten betreden.
4. Breng uw hond terug in het huisdieren als hij na 2 seconden niet zelf terugkeert.
5. Prijs uw hond en geef hem een traktatie telkens hij terugkeert naar het huisdieren, ook als hij daarbij moet worden geholpen.
6. Herhaal die procedure met andere manieren om uw hond af te leiden. Doe daarbij een beroep op andere gezinsleden.
7. Mocht uw huisdier niet reageren op de statische Stimulans , kijk dan even of de ontvangerhalsband correct om de hals van de hond zit zoals beschreven op pagina 58, stap 5.
8. Zit de halsband correct om de hals van uw huisdier maar reageert deze niet op de statische Stimulans , verhoogt u dan het statische Stimulans niveau met 1 level.

FASE 4

Dag 9 tot en met dag 14 – Toezicht zonder leiband

Begin met trainingssessies van 10 tot 15 minuten en voer ze dan geleidelijk op tot meer dan één uur.

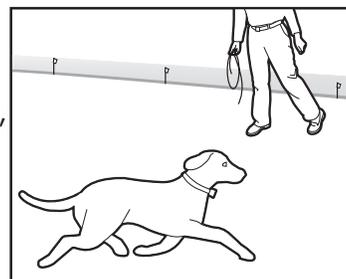
Uw hond is klaar voor deze stap als hij het hele grensgebied steeds vermijdt, zelfs wanneer hij wordt afgeleid of in de verleiding wordt gebracht om ze toch te betreden. Tijdens deze stap mag u uw hond niet alleen laten.

Doel:

Uw hond zonder leiband vrij laten rondlopen in het huisdieren.

Vorbereiding:

Programmeer het niveau van de statische Stimulans op de ontvangerhalsband op basis van de grootte en het temperament van uw hond.



Stappen:

1. Ga samen met uw hond die de ontvangerhalsband draagt het huisdieren binnen.
2. Wandel wat rond en speel met uw hond, maar blijf binnen het huisdieren.
3. Richt uw aandacht op een andere bezigheid, maar houd uw hond in de gaten.
4. Mocht uw hond ontsnappen, verwijder dan de ontvangerhalsband of zet de zender af en leid uw hond terug naar het huisdieren.

FASE 5**Dag 15 tot en met dag 30 – Uw huisdier controleren**

Uw huisdier is klaar om te rennen! Controleer uw huisdier regelmatig.

Opmerking: als u overtuigd bent dat de training van uw huisdier voltooid is, kunt u elke 4 dagen telkens een grensvlaggetje (om en om) verwijderen, totdat uiteindelijk alle vlaggetjes verwijderd zijn. Bewaar de grensvlaggetjes voor toekomstig gebruik.

Da Met uw hond zijn gebied verlaten

Belangrijk: Doe de ontvangerhalsband af en laat die achter in het gebied.

Zodra uw hond zijn gebied kent, zal hij dat niet zomaar meer verlaten voor een wandeling of een ritje met de wagen.

Optie 1: Vervang de ontvangerhalsband door een gewone halsband. Zet uw hond in een auto die zich binnen zijn gebied bevindt en verlaat het gebied met de wagen.

Optie 2: Vervang de ontvangerhalsband door een gewone halsband en leiband. Wandel met uw hond het gebied uit en geef hem een commando zoals "OK" op een bepaalde plek in het grensgebied (het uiteinde van de oprit, het voetpad enz.). Verlaat het gebied altijd met de hond aan de leiband vanaf deze precieze plek. Zo leert uw hond dat hij zijn gebied alleen mag verlaten aan de leiband, op deze exacte plek en vergezeld van een persoon. Aanvankelijk moet u uw hond misschien overtuigen om zijn gebied te verlaten met een snoepje en veel verbale beloningen.

Opmerking: U kunt het dier ook het gebied uit dragen.

**Een verplaatsbaar draadloos systeem**

Uw Draadloos omheiningssysteem voor huisdieren Wireless Pet Containment System™ van PetSafe® is volledig draagbaar. Volg opnieuw de procedure voor het opstellen (stap 1 tot en met stap 4) als u het huisdieren voor uw hond wilt verplaatsen. Bepaal waar het nieuwe huisdieren moet komen en bakken het af met grensvlaggetjes zodat uw hond het herkent. *Opmerking: Als u het systeem in een metalen gebouw of voertuig opstelt, kan de maximum omvang van het huisdieren kleiner zijn. Verwijder eerst de batterij uit de ontvangerhalsband alvorens de zender uit te schakelen.* Als u de zender wilt voeden met stroom uit een wagen of een andere gelijkstroombron, moet u gebruikmaken van een gelijkstroom-wisselstroomomzetter voor 50 watt of meer.

Accessoires

Om extra accessoires te kopen voor uw Draadloos omheiningssysteem voor huisdieren Wireless Pet Containment System™, neemt u contact op met de klantendienst of gaat u naar onze website om een winkel bij u in de buurt te vinden. Een lijst met telefoonnummers van de klantendiensten in uw regio vindt u op onze website: www.petsafe.net.

Vaak gestelde vragen

Hoe oud moet mijn huisdier zijn om te kunnen trainen met de Draadloos omheiningssysteem voor huisdieren Wireless Pet Containment System™?	<ul style="list-style-type: none">• Omdat elk huisdier anders is, kan met training met dit systeem worden gestart nadat uw huisdier simpele gehoorzaamheidscommando's heeft geleerd, zoals "zit" en "blijf". Het systeem mag alleen gebruikt worden bij gezonde huisdieren die ouder zijn dan 6 maanden. Als uw huisdier gewond is, of de mobiliteit wordt anderszins beperkt, neem dan voor gebruik contact op met uw dierenarts of professioneel trainer.
Is de ontvangerhalsband waterdicht?	<ul style="list-style-type: none">• Ja. Als u de batterij vervangt, moet u ervoor zorgen dat er geen stof of vuil in de batterijhouder terechtkomt.
Kan het Draadloos omheiningssysteem voor huisdieren Wireless Pet Containment System™ een grotere cirkel dan één met een diameter van 55 m bestrijken?	<ul style="list-style-type: none">• U kunt gebruikmaken van een andere zender met overlappende grenslijnen van 2 m tot 3 m om een groter huisdieren te krijgen.
Heeft een hellend terrein invloed op het huisdieren?	<ul style="list-style-type: none">• Het signaal van de zender gaat in alle richtingen 27,5 m ver. Een hellend terrein kan ervoor zorgen dat het huisdieren kleiner of groter is dan verwacht. Zet de zender op verschillende plaatsen om te zien welke plaats de beste resultaten oplevert.
Kan ik meer dan één ontvangerhalsband gebruiken met het draadloos systeem?	<ul style="list-style-type: none">• Ja. U kunt het draadloos systeem gebruiken voor zo veel honden als u wilt. U moet dan wel voor elk dier een aparte ontvangerhalsband kopen. Via het Klantenservice of onze website www.petsafe.net komt u te weten waar u die kunt kopen.
Houdt het draadloos systeem andere honden van mijn terrein?	<ul style="list-style-type: none">• Neen. Het draadloos systeem werkt alleen bij honden die de ontvangerhalsband dragen.
Bestaat er een afstandsbediening in handformaat voor de ontvangerhalsband van het draadloos systeem?	<ul style="list-style-type: none">• Neen. U moet een afzonderlijk trainingssysteem met afstandsbediening kopen. Via het Klantenservice of onze website www.petsafe.net komt u te weten waar u dat kunt kopen.

Bestaat er een kleinere ontvangerhalsband of een andere compatibele ontvangerhalsband die ik kan gebruiken voor het draadloos systeem?	<ul style="list-style-type: none"> • Neen. Neem contact op met het Klantenservice of ga naar onze website www.petsafe.net voor bijkomende ideeën of oplossingen.
Als ik een vraag heb over mijn draadloos systeem of reserveonderdelen nodig heb, waar kan ik dan terecht?	<ul style="list-style-type: none"> • Neem contact op met het Klantenservice of ga naar onze website www.petsafe.net.
Kan ik het draadloos systeem gebruiken voor een agressieve hond?	<ul style="list-style-type: none"> • Wij raden het gebruik van elektronische trainingsapparaten bij agressieve honden niet aan. Als u niet weet of uw hond agressief is, raadpleeg dan een dierenarts of een erkende hondenafrichter.
Kan ik het draadloos systeem gebruiken voor een kat?	<ul style="list-style-type: none"> • Het draadloos systeem kan worden gebruikt voor een kat op voorwaarde dat het dier de ontvangerhalsband comfortabel kan dragen.
Wat gebeurt er als de stroom uitvalt?	<ul style="list-style-type: none"> • Het draadloos systeem is speciaal ontworpen om elektriciteitspannes te herkennen en valt uit zonder de ontvangerhalsband te activeren. Als uw hond zich echter in de buurt van het grensgebied bevindt wanneer de stroom uitvalt, kan hij een statische Stimulans krijgen. Om de kans dat dat gebeurt kleiner te maken, kunt u voor de zender een reserveapparaat met een batterij gebruiken als u in een gebied woont waar de elektriciteit regelmatig uitvalt.
Wat kan er gebeuren er als ik de stroom naar de zender uitschakel of de stekker er uit trek?	<ul style="list-style-type: none"> • Als uw hond de ontvangerhalsband om heeft, kan hij een onbedoelde correctie krijgen. Doe de ontvangerhalsband altijd af bij uw hond voordat u de stroom van de zender haalt of voordat u de zender gaat testen.
Wat moet ik doen als ik de doorzichtige plastic bedekking van de knopje van het stimulatieniveau verlies?	<ul style="list-style-type: none"> • Die plastic bedekking voorkomt dat het niveau van de statische Stimulans per ongeluk wordt gewijzigd en helpt de ontvanger waterdicht te houden. Neem contact op met het Klantenservice om een nieuwe te bestellen.
Als mijn hond het huisdieren verlaat, hoe lang krijgt hij dan een correctie?	<ul style="list-style-type: none"> • Uw hond krijgt 30 seconden lang een statische Stimulans als hij zich buiten het huisdieren bevindt. In de ontvangerhalsband is een beveiliging ingebouwd zodat hij na 30 seconden stopt met corrigeren en piepen. Hij wordt opnieuw geactiveerd wanneer de hond zich weer in het huisdieren bevindt.
Hoe vaak moet ik de batterij van de ontvangerhalsband vervangen?	<ul style="list-style-type: none"> • De levensduur van de batterij hangt af van het aantal keer dat uw hond het grensgebied betreedt. Het verklikkerlampje van de ontvanger flikkert om de 4 à 5 seconden als de batterij moet worden vervangen.

<p>Kan ik de ontvanger aan een andere halsband bevestigen?</p>	<ul style="list-style-type: none"> • Ja, aan om het even welke niet-metalen halsband. Maak twee gaten in de halsband en breng de ontvanger aan. Gebruik de halsband in het pakket als een patroon om te weten te komen waar er gaten moeten worden gemaakt in de nieuwe halsband.
<p>Welk onderhoud vergt mijn draadloos systeem?</p>	<ul style="list-style-type: none"> • Controleer dagelijks de hals van uw hond op irritatie door de contactpunten. • Controleer wekelijks de contactpunten van de ontvangerhalsband om er zeker van te zijn dat ze vast zitten en proper zijn. • Controleer wekelijks of de ontvangerhalsband goed past. • Het verklikkerlampje van de ontvanger flinkt om de 4 à 5 seconden als de batterij moet worden vervangen.
<p>Hoe kom ik te weten dat de batterij in de ontvangerhalsband nog werkt?</p>	<ul style="list-style-type: none"> • Haal de ontvangerhalsband van de hals van uw hond en ga ermee naar het grensgebied. De ontvangerhalsband moet piepen. Als dat niet het geval is, moet u de batterij vervangen.
<p>Worden de prestaties van het draadloze systeem beïnvloed door voertuigen, gebouwen en tuinelementen (bomen, struiken, enz.)?</p>	<ul style="list-style-type: none"> • Ja. Als u de zender in een metalen gebouw plaatst, kan het maximale bereik van het draadloze systeem kleiner worden. • Als er een voertuig in de vrije ruimte voor het huisdier geparkeerd staat, kan het bereik van het systeem kleiner zijn zodat uw huisdier een statische Stimulans krijgt op plaatsen waar hij die normaal, als het voertuig er niet is, niet zou krijgen. • Vaste grote metalen objecten zoals metalen schuurtjes kunnen het signaal beïnvloeden doordat het maximale bereik van het systeem op de plaats van het object kleiner wordt. Als gevolg kan uw huisdier een statische Stimulans krijgen. • Synchroniseer het systeem opnieuw (pagina 70).
<p>Wat moet ik doen als de hals van mijn hond rood en geïrriteerd is?</p>	<ul style="list-style-type: none"> • Dat is te wijten aan de contactpunten, die de huid kunnen irriteren. Gebruik de ontvangerhalsband gedurende een paar dagen niet meer. Als de symptomen niet verdwenen zijn na 48 uur dient u een dierenarts te raadplegen. Als de huid weer normaal is, mag u de ontvangerhalsband weer aanbrengen, maar u dient de huid dan wel regelmatig te controleren.
<p>Mag ik een leiband vastmaken aan de ontvangerhalsband?</p>	<ul style="list-style-type: none"> • Neen. Daardoor zou u de contactpunten te fel tegen de hals van uw hond kunnen aandrukken. U kunt een leiband vastmaken aan een andere niet-metalen halsband die u boven de ontvangerhalsband hebt aangebracht.
<p>Waarom heeft mijn ontvangerhalsband een "beep only"-modus?</p>	<ul style="list-style-type: none"> • De "beep only"-modus kan worden gebruikt om uw hond te laten wennen aan de grenslijn of voor goed afgerichte honden die geen statische Stimulans meer nodig hebben.

Problemen oplossen

<p>De ontvangerhalsband piept niet wanneer het grensgebied wordt ingesteld.</p>	<ul style="list-style-type: none"> • De pieptoon kan moeilijk hoorbaar zijn bij lawaai. • Plaats het testlampje zoals aangegeven bij de "Instructies voor testlampje" en gebruik het om te bepalen waar het gebied zich bevindt. • Controleer of de zender juist is afgesteld en plaats een nieuwe batterij binnen 1,5 m tot 3 m van de zender. • Synchroniseer het systeem opnieuw (pagina 70).
<p>De ontvangerhalsband piept niet of geeft geen statische Stimulans.</p>	<ul style="list-style-type: none"> • Controleer of de zender op een stopcontact is aangesloten, aanstaat, het stroomlampje brandt en of de bediening op de gewenste manier is ingesteld. • Controleer of de batterij van de ontvanger correct is geplaatst. • Vervang de batterij binnen een straal van 1,5 m tot 3 m van de zender. • Synchroniseer het systeem opnieuw (pagina 70).
<p>De ontvangerhalsband piept overal.</p>	<ul style="list-style-type: none"> • Controleer of de zender op een stopcontact is aangesloten, aanstaat, het stroomlampje brandt en of de bediening op de gewenste manier is ingesteld. • Breng de ontvangerhalsband binnen een bereik van 1,5 m tot 3 m van de zender voor een reset. • Synchroniseer het systeem opnieuw (pagina 70).
<p>De ontvangerhalsband piept buitenshuis.</p>	<ul style="list-style-type: none"> • Zorg ervoor dat de zender aan staat en is ingesteld volgens de richtlijnen. • Zorg ervoor dat het hele huis binnen het gebied valt. Misschien moet de zender worden verplaatst om dat te doen. • Bij het verplaatsen van de zender doet u de ontvangerhalsband bij het dier af alvorens u de zender af zet. • Synchroniseer het systeem opnieuw (pagina 70).
<p>Mijn huisdier krijgt een statische Stimulans in zijn metalen kooi.</p>	<ul style="list-style-type: none"> • De ontvangerhalsband wordt geactiveerd als deze het zendersignaal niet meer ontvangt. De metalen kooi kan het zendersignaal blokkeren, waardoor de ontvangerhalsband wordt geactiveerd. • Doe uw hond de ontvangerhalsband af als u hem in zijn metalen kooi zet.
<p>Het grensgebied lijkt te variëren.</p>	<ul style="list-style-type: none"> • Dat is normaal voor het elektromagnetische veld van het draadloos systeem. Het veld kan worden beïnvloed door "elektronisch lawaai" in de omgeving, waardoor het tot 5% kan schommelen. • De plaats waar de ontvangerhalsband wordt geactiveerd, is afhankelijk van de snelheid en de oriëntering ervan wanneer uw hond het grensgebied betreedt.

<p>De ontvangerhalsband wordt in het midden van de tuin geactiveerd.</p>	<ul style="list-style-type: none"> • De ontvangerhalsband wordt geactiveerd als hij het zendersignaal niet meer ontvangt. Soms gebeurt het dat er een zich groot metalen voorwerp tussen de ontvangerhalsband en de zender bevindt, dat de oriëntatie van de ontvangerhalsband verandert nabij het grensgebied of dat "elektronische interferentie" in de omgeving het signaal stoort. Als het probleem zich blijft voordoen, kunt u proberen de zender te verplaatsen en het gebied opnieuw in te stellen. • Synchroniseer het systeem opnieuw (pagina 70).
<p>De ontvangerhalsband piept maar mijn huisdier reageert niet op de statische Stimulans.</p>	<ul style="list-style-type: none"> • Zorg ervoor dat het statische Stimulans op stand 2 of hoger staat ingesteld. • Test de ontvangerhalsband met het testlampje. • Als het testlampje knippert, controleer dan of de ontvangerhalsband goed aanpast. • Knip de vacht van het dier bij waar de contactpunten de nek raken en/of maak gebruik van de langere contactpunten. • Stel het statische Stimulans hoger in. • Herhaal de africhtingstappen om de africhting te versterken.
<p>Mijn hond reageert heftig op de statische Stimulans en is nu erg bang.</p>	<ul style="list-style-type: none"> • Stel het statische Stimulans lager in. • Zorg ervoor dat u de situatie in de hand houdt wanneer uw hond zijn eerste statische Stimulans krijgt (houd het dier aan een leiband die u bevestigt aan een andere, niet-metalen halsband) en leid hem naar het gebied terwijl u hem verbaal belooft. Als het dier toch angstig blijft, stel de africhting dan even uit en begin de volgende dag opnieuw. Zorg ervoor dat alle africhtingsessies leuk eindigen met veel belonen en spelen.
<p>Het verklikkerlampje voor de stroom brandt niet.</p>	<ul style="list-style-type: none"> • Controleer of de aan/uit-schakelaar van de zender op "on" staat en de adapter in de zender en in een werkend standaard stopcontact steekt.
<p>Ik stelde het gebied in en nadat ik de grenscontroleknop lager had gezet, gaf de ontvangerhalsband geen pieptonen of correcties meer.</p>	<ul style="list-style-type: none"> • Mogelijk hebt u de grenscontroleknop te snel lager gezet, waardoor de ontvangerhalsband werd uitgeschakeld. Dit is een veiligheidsmechanisme dat het dier moet beschermen wanneer de stroom van de zender uitvalt. Breng de ontvangerhalsband binnen een straal van 1,5 m tot 3 m van de zender, zet de grenscontroleknop op "8" en stel het grensgebied opnieuw in. Zorg ervoor dat u daarbij de knop langzaam lager zet.
<p>Mijn buurman heeft een omheiningssysteem met draad en het systeem en de ontvangerhalsband worden niet goed geactiveerd nabij zijn erf.</p>	<ul style="list-style-type: none"> • Het omheiningssysteem met draad van uw buurman kan de werking van de ontvangerhalsband verstoren, zodat deze nabij de omheining van de buurman niet geactiveerd wordt. Om de verstoring te minimaliseren, verkleint u de vrije ruimte voor uw huisdier of verplaatst de zender, weg van het omheiningssysteem met draad. • Pas de vrije ruimte voor het huisdier aan zodat de ontvangerhalsband op een afstand van ten minste 1,5 m voorbij de verlaagde grensinstelling activeert als u naar het omheiningssysteem met draad toeloopt.

De nek van mijn huisdier is verwond door de ontvangerhalsband.

Doordat u niet de belangrijke veiligheidsinformatie voorin de gebruiksaanwijzing en trainingsgids opgevolgd heeft, zijn er drukzweren ontstaan. Soms worden gevorderde drukzweren beschreven als brandwonden in de nek van de hond. Wij garanderen u dat elektrische halsbanden niet genoeg energie gebruiken om elektrische brandwonden te veroorzaken. De energie van een gegeven puls is slechts enkele duizendste Joules en vergelijkbaar met de statische puls die u soms voelt als u uit uw auto stapt. In sommige gevallen worden drukzweren omschreven als chemische brandwonden. De RFA-67D-11-batterij is luchtdicht afgesloten als deze in de behuizing van de ontvangerhalsband geplaatst is. Door deze afdichting is het in principe onmogelijk, behalve bij foutief gebruik of misbruik, dat de batterij van de ontvangerhalsband op de hals van uw huisdier lekt. Raadpleeg en volg de aanwijzingen in de belangrijke veiligheidsinformatie op pagina 48 en de aanwijzingen in stap 5 onder de kop "De ontvangerhalsband aanpassen".

Synchroniseer het systeem opnieuw

1. Doe uw hond de ontvangerhalsband af.
2. Haal de batterij uit de ontvangerhalsband. Zorg dat alle stroom eraf is door de knopje van het stimulatieniveau ingedrukt te houden totdat de LED niet meer brandt.
3. Zet de grensschakelaar op de zender van de lage in de hoge stand.
4. Draai de grenscontroleknop langzaam naar 8, omlaag naar 1 en dan terug naar stand 4.
5. Terwijl u zich op een afstand van 1,5 m en 3 m van de zender bevindt, plaatst u de batterij terug in de ontvangerhalsband.
6. Test de grens en controleer de werking door uit de vrije ruimte voor het huisdier te lopen totdat de ontvangerhalsband reageert. Als de zender op 4 ingesteld is, zou de zender op ongeveer 12 m tot 15 m geactiveerd moeten worden.

Als u er zeker van bent dat het systeem goed werkt, kunt u de zenderinstelling terugzetten naar de oorspronkelijke stand.



Afvoer van batterijen

Dit apparaat werkt op één 1 lithiumbatterij van 6 volt met een capaciteit van 240 mAH. Vervang deze alleen door een equivalente batterij die u ontvangen heeft nadat u de klantendienst gebeld heeft. Voor een lijst van telefoonnummers van de klantendienst bezoekt u onze website: www.petsafe.net. Gescheiden inzameling van gebruikte batterijen is in veel landen verplicht; controleer de plaatselijke voorschriften voor afvoer van gebruikte batterijen. Raadpleeg pagina 54 voor instructies voor het verwijderen van de batterij uit het product voor gescheiden afvoer.



Belangrijk recyclingadvies

Respecteer de in uw land geldende regels betreffende het veilig verwijderen van elektrisch afval en elektrische apparaten. Dit apparaat dient hergebruikt te worden. Indien u dit apparaat niet langer nodig hebt, werp het dan niet weg bij het gewone huisvuil. Breng het apparaat terug naar de plaats van aankoop, zodat het kan worden opgenomen in ons systeem van hergebruik. Als dit niet mogelijk is, neem dan contact op met de klantendienst voor meer informatie.

Conformiteit



Deze apparatuur is getest en conform de EU R&TTE-richtlijn bevonden. Alvorens deze apparatuur buiten de landen van de EU te gebruiken, moet dit worden overlegd met de betreffende lokale R&TTE-autoriteiten. Ongeoorloofde wijzigingen of aanpassingen aan de apparatuur, welke niet zijn geaccordeerd door Radio Systems Corporation, kunnen leiden tot inbreuk op de EU R&TTE-richtlijnen, tot het verbod op het gebruik van dit systeem en tot het nietig verklaren van de garantie.

Hierbij verklaart Radio Systems Corporation dat deze PIF-300-21 Draadloos omheiningssysteem voor voldoet aan de essentiële vereisten en andere relevante bepalingen van Richtlijn 1999/5/EC. De verklaring van conformiteit is te vinden op: http://www.petsafe.net/customer-care/eu_docs.php.

IC- Canada

Dit apparaat voldoet aan de standaard(en) volgens de licentievrijstelling RSS van Industry Canada. De werking van het apparaat is onderworpen aan de volgende twee voorwaarden: (1) dit apparaat mag geen interferentie veroorzaken en (2) dit apparaat moet interferentie kunnen opvangen, inclusief interferentie die wordt veroorzaakt door ongewenste werking van het apparaat.

ACMA - Australië

Dit apparaat voldoet aan de toepasselijke EMC-vereisten zoals gespecificeerd door de ACMA (Australische autoriteit voor communicatie en media).

Gebruiksvoorwaarden en aansprakelijkheid

1. Gebruiksvoorwaarden

Dit product wordt u aangeboden op voorwaarde dat u zonder voorbehoud instemt met de genoemde voorwaarden en opmerkingen. Het gebruik van dit product houdt in dat u al deze voorwaarden en opmerkingen aanvaardt.

2. Gepast gebruik

Dit product werd ontworpen voor gebruik met dieren die men wil africhten. Mogelijk valt het temperament van uw huisdier niet te combineren met dit product. Als u niet zeker weet of dit product voor uw dier geschikt is, ga dan te rade bij uw dierenarts of een gekwalificeerd africhter.

3. Geen onwettig of verboden gebruik

Dit product werd enkel ontworpen voor gebruik met huisdieren. Dit africhtingstoestel is niet bedoeld om dieren te pijnigen, verwonden of tergen. Als u dit product voor andere dan de bestemde doeleinden gebruikt, overtreedt u mogelijk federale of lokale wetten.

4. Beperkte aansprakelijkheid

In geen geval is Radio Systems Corporation aansprakelijk voor rechtstreekse, onrechtstreekse, strafrechtelijke, incidentele, bijzondere of gevolgschade, of enige andere schade voortvloeiend uit het gebruik of misbruik van dit product. De koper neemt alle risico's en aansprakelijkheid voor het gebruik van dit product op zich.

5. Wijziging van voorwaarden

Radio Systems Corporation behoudt zich het recht voor om de voorwaarden en opmerkingen m.b.t. de aanbieding van dit product te wijzigen.

INFORMACIÓN DE SEGURIDAD IMPORTANTE

Explicación de las advertencias y símbolos de atención utilizados en este manual



Este es el símbolo de alerta de seguridad. Se utiliza para alertarle sobre riesgos de lesiones personales potenciales. Siga todos los mensajes de seguridad que aparecen a continuación de este símbolo para evitar posibles daños o la muerte.

⚠️ ADVERTENCIA

ADVERTENCIA indica una situación peligrosa que, si no se evita, podría provocar la muerte o daños serios.

⚠️ ATENCIÓN

ATENCIÓN, utilizada sin el símbolo de alerta de seguridad, indica una situación peligrosa que, si no se evita podría provocar daños a su mascota.

AVISO

AVISO se utiliza para referirse a prácticas no relacionadas con las lesiones personales.

⚠️ ADVERTENCIA

- No se debe utilizar con perros agresivos. No use este producto si su perro es agresivo o si es propenso a mostrar una conducta agresiva. Los perros agresivos pueden causar lesiones graves e incluso la muerte a su dueño y a otras personas. Si no está seguro de si este producto es apropiado para su perro, por favor consulte con su veterinario o un adiestrador certificado.
- Riesgo de electrocución. Utilice el transmisor de valla únicamente en interiores y en un lugar seco.

⚠️ ATENCIÓN

- Este sistema NO es una barrera sólida. El sistema está diseñado para actuar como un elemento disuasivo recordándole a las mascotas por estimulación estática que deben permanecer dentro de los límites establecidos. Es importante que refuerce el adiestramiento con su mascota de forma regular. Puesto que el nivel de tolerancia a la estimulación estática varía en las diversas mascotas, Radio Systems Corporation NO PUEDE garantizar que el sistema mantenga, en todos los casos, a una mascota dentro de los límites establecidos. ¡No todas las mascotas pueden ser entrenadas para evitar que crucen un límite! Por lo tanto, si tiene motivos para creer que su mascota puede suponer un peligro para los demás o hacerse daño a sí mismo si cruza los límites, NO debería confiar solamente en este sistema para tener confinada a su mascota. Radio Systems Corporation NO será responsable de ningún daño ocasionado a la propiedad, pérdidas económicas o cualquier daño consecuente que se haya admitido como resultado de que el animal cruce los límites establecidos.
- Es importante conseguir un ajuste correcto del collar. Un collar demasiado apretado, o utilizado durante mucho tiempo, puede causar daños en la piel del cuello de la mascota. Estos daños van desde irritaciones hasta úlceras por presión; esta afección se conoce comúnmente como úlceras por decúbito.
 - Evite que el perro lleve puesto el collar durante más de 12 horas al día.
 - Si es posible, vuelva a colocar el collar en el cuello del animal cada 1 ó 2 horas.
 - Verifique el ajuste para prevenir una presión excesiva; siga las instrucciones recogidas en este manual.
 - No conecte nunca un electrodo al collar electrónico, dado que provocaría una presión excesiva sobre los contactos.
 - Cuando se utilice un collar independiente para un electrodo, no aplique presión sobre el collar electrónico.
 - Lave semanalmente la zona del cuello del perro y los contactos del collar con un trapo húmedo.
 - Examine diariamente el área de contacto en busca de signos de erupciones o úlceras.
 - Si se observa una herida o una úlcera, deje de usar el collar hasta que se haya curado la piel.
 - Si la condición persiste durante más de 48 horas vaya a ver al veterinario.
 - Para obtener información adicional sobre las úlceras por presión y la necrosis por presión, por favor visite nuestro sitio web.

ATENCIÓN

Estas medidas ayudarán a proteger a su mascota y a mejorar su comodidad. Millones de mascotas se sienten cómodas al utilizar contactos de acero inoxidable, pero algunos animales son sensibles a la presión por contacto. Es posible que, tras cierto tiempo, su mascota tolere bien su collar, en cuyo caso, podría no seguir estrictamente algunas de estas precauciones. Es importante que continúe controlando diariamente la zona de contacto. Si observa enrojecimiento o irritación, deje de utilizar el collar hasta que la piel haya sanado completamente.

- Quizás tenga que recortar el pelo de la zona de los puntos de contacto. No afeite nunca el cuello del perro, eso podría ocasionar una erupción o una infección.
- Sáquele siempre el collar receptor al perro antes de efectuar cualquier prueba del transmisor.
- El collar receptor no debe estar colocado en su perro durante el proceso de comprobación del sistema. Su perro podría recibir una corrección no intencionada.
- Se debe comprobar la amplitud de los límites del sistema siempre que se realice un ajuste en el campo de contención para evitar que su mascota reciba correcciones no intencionadas.
- Si utiliza un collar y una correa para el proceso de adiestramiento, asegúrese de que el collar adicional no presione los puntos de contacto. No corte nunca el suministro de energía del sistema cuando la mascota lleve puesto el collar. Esto podría activar el collar receptor.
- Radio Systems Corporation recomienda utilizar un sistema de alimentación ininterrumpida (UPS, por sus siglas en inglés) con su cerca inalámbrica. En el caso de que haya un corte en el suministro de electricidad de su casa, su mascota quedará desprotegida.
- Los cortes de electricidad pueden ser impredecibles, por lo cual el uso de un sistema UPS le proporcionará el tiempo suficiente para controlar a su mascota.

En raras ocasiones, si su mascota está cerca del límite en el momento en que se produce el corte de electricidad, es posible que su mascota reciba una corrección. Esta corrección cesará después de transcurridos 30 segundos. Esto se debe al funcionamiento del collar: el collar se activa ante la ausencia de la señal de contención.

- Aunque los resultados variarán en función de las especificaciones particulares de cada fabricante de sistemas UPS, los siguientes ejemplos le ayudarán a seleccionar el sistema UPS más adecuado para usted:
- Utilizando un sistema UPS de 400 VA se obtiene un tiempo de reserva de 3 horas.
- Utilizando un sistema UPS de 900 VA se obtiene un tiempo de reserva de 8 horas.

Si se utiliza una configuración inferior al tamaño máximo del perímetro, se obtendrá un tiempo de reserva adicional. Con una configuración de tamaño mínimo del perímetro, el período de reserva puede ser dos veces mayor que el tiempo estimado con una configuración de tamaño máximo del perímetro.

AVISO

- Para evitar las correcciones no intencionadas, después de haber colocado los banderines de límites, asegúrese de ajustar el nivel de corrección por electricidad estática del collar receptor al nivel 1 de corrección por señal acústica solamente.
- No ponga ningún objeto sobre el transmisor ni cubra los orificios de ventilación, ya que esto podría sobrecalentar el transmisor y ocasionar un fallo de transmisión prematuro.
- No ponga el transmisor en un armario ni en ningún otro lugar cerrado y exento de ventilación.

EN

FR

NL

ES

IT

DE

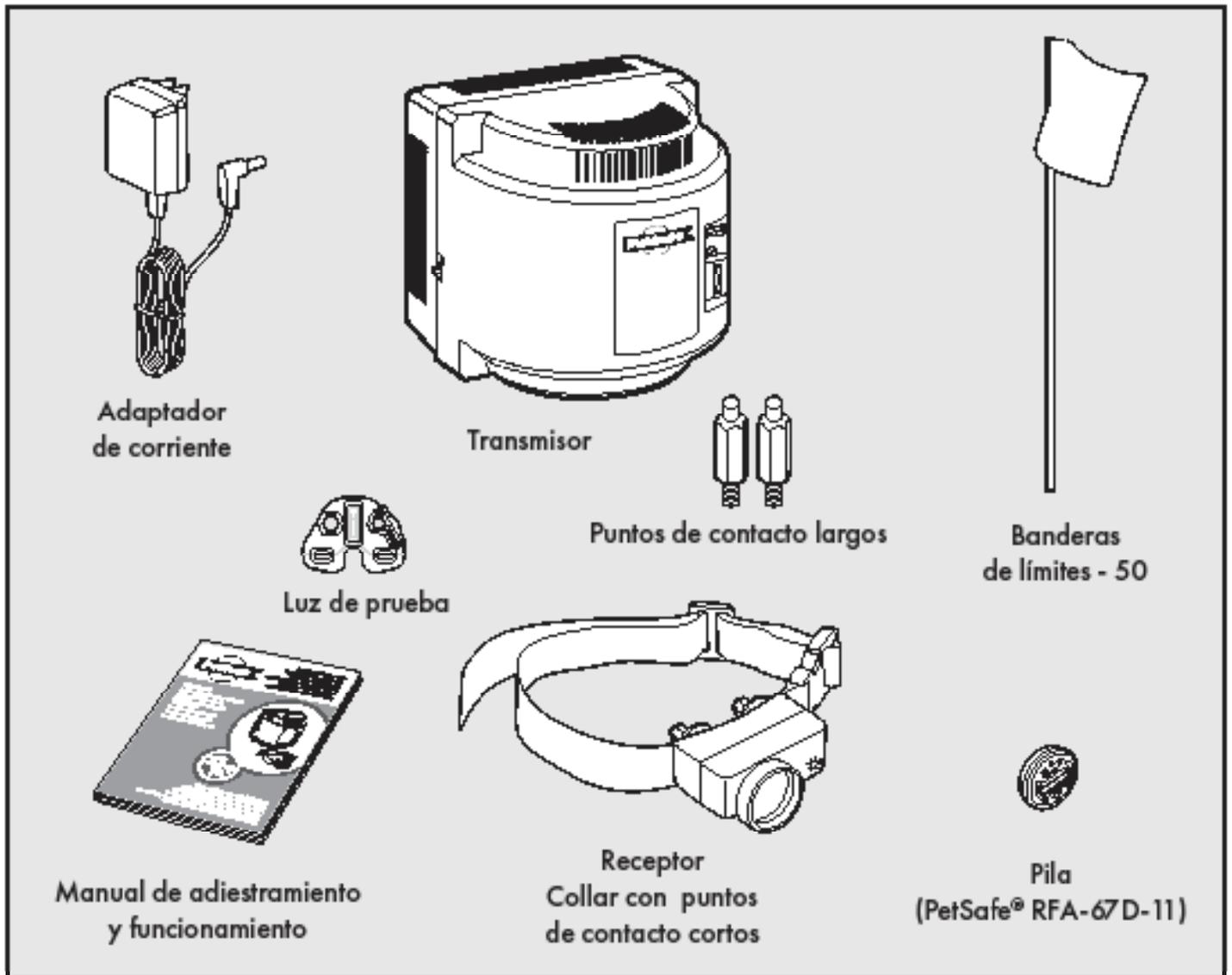
Gracias por elegir la marca PetSafe®. Usted y su mascota se merecen disfrutar de una relación repleta de momentos memorables y de comprensión mutua. Nuestros productos y dispositivos de adiestramiento fomentan la protección, la enseñanza y el cariño, elementos esenciales de una relación que le dejará inolvidables recuerdos. **Si tiene alguna pregunta sobre nuestros productos o sobre el adiestramiento de su mascota, visite nuestro sitio web, www.petsafe.net o póngase en contacto con nuestro Centro de atención al cliente. Para obtener un listado de los números de teléfono de los Centros de atención al cliente visite nuestro sitio web en www.petsafe.net.**

Para obtener la mayor protección de su garantía, por favor registre su producto dentro de los 30 días posteriores a la compra en www.petsafe.net. Con el registro y conservando su recibo de compra, disfrutará de la garantía total del producto y, si tuviera necesidad de contactar con el Centro de Atención al cliente, podremos ayudarle con mayor rapidez. Y lo que es más importante, PetSafe® nunca dará ni venderá su valiosa información a nadie. La descripción completa de la garantía está disponible en el sitio www.petsafe.net.

Índice de contenidos

Componentes	75
Otros artículos que puede necesitar.....	75
Cómo funciona el sistema	76
Definiciones	76
Manual de funcionamiento	
Instalación del transmisor	77
Prepare el collar receptor	78
Verificación del contacto de la pila.....	79
Ajuste la zona del perro al tamaño deseado	80
Gráfica de alcance del transmisor.....	81
Coloque las banderas de límites	82
Ajuste del collar receptor	82
Guía de adiestramiento	
Sea paciente con su perro.....	84
Día 1 – Aprendizaje de las banderas de límites.....	84
Días 2 a 4 – Continuación del aprendizaje de las banderas de límites.....	85
Días 5 a 8 – Fase de distracción.....	86
Días 9 a 14 - Supervisión sin correa.....	87
Días 15 a 30 - Supervisión de la mascota.....	88
Llevar al perro fuera de su zona.....	88
Inalámbrico – para - llevar	88
Accesorios	89
Preguntas más frecuentes	89
Solución de problemas	91
Resincronización del sistema	94
Eliminación de las pilas	94
Conformidad.....	95
Condiciones de uso y limitación de responsabilidad	95

Componentes



Otros artículos que puede necesitar

- Alicates
- Tijeras
- Encendedor
- Taladrador & herramientas de montaje
- Cinta de medición
- Collar y correa no metálicos

Cómo funciona el sistema

El Limitador de zona sin cable Wireless Pet Containment System™ ha demostrado ser seguro, cómodo y eficaz para todos los perros de más de 3,6 kg. El sistema funciona transmitiendo una señal de radio hasta 27,5 m en todas direcciones. Se define temporalmente esta zona del animal doméstico con banderas de límites para visualizar la zona y para entrenar al animal. El animal lleva un collar receptor con puntos de contacto con el cuello. Una vez esté entrenado, puede correr libremente por su zona. Cuando el perro llega a la límite de la zona, el collar receptor emite un pitido de aviso antes de proporcionar una estimulación estática de seguridad a través de los puntos de contacto para llamarle la atención hasta que vuelva a su área.

Definiciones

Transmisor: Transmite la señal de radio y es el centro del área del perro.

Zona del perro: Distancia desde el transmisor donde el perro puede correr libremente.

Límite de la zona: Área de 0,6 m a 1 m fuera de la zona del perro donde el collar receptor empezará a emitir un pitido para después proporcionar una estimulación estática. La corrección empezará en la límite de la zona y seguirá en cualquier sitio más allá de la zona del perro. Nota: El collar receptor está equipado con un dispositivo de seguridad que parará la corrección después de 30 segundos si el perro permanece fuera de su zona.

Collar receptor: Recibe la señal de radio del transmisor.

Botón de reglaje del nivel de estimulación: Ajusta el nivel de estimulación estática que recibe el perro fuera de su zona.

Luz indicadora del receptor: Indica el nivel de corrección en el que se establece el collar receptor. Esta luz sirve también como un indicador de batería baja.

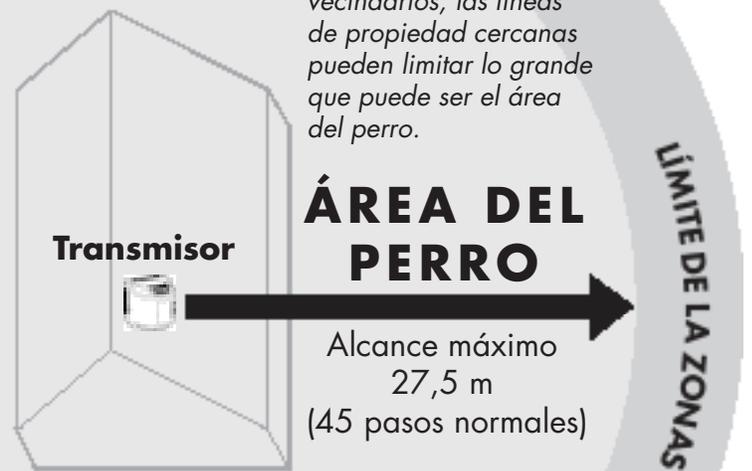
Puntos de contacto: Proporcionan la estimulación estática de seguridad cuando el perro entra en la límite de la zona.

Toma de alimentación: Donde el adaptador de corriente se enchufa al transmisor. El transmisor funciona con una salida estándar.

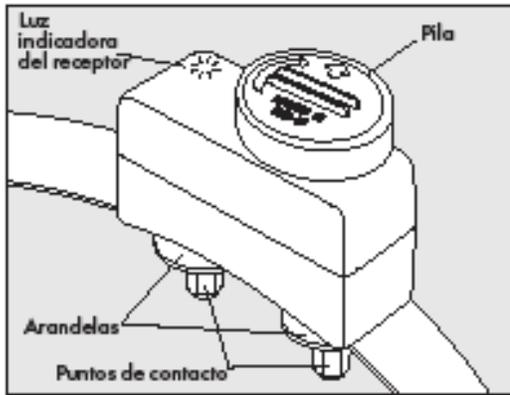
Conmutador de límites: Se ajusta en función del tamaño de la zona del perro que se quiera.

Luz de alimentación: Indica que el transmisor está encendido.

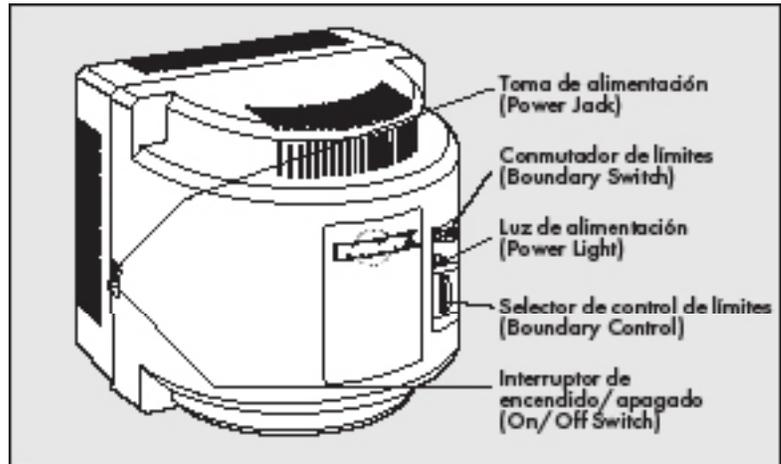
Selector de control de límites: Ajusta la distancia desde el transmisor a la límite de la zona. Nota: El ajuste del selector no cambia el nivel de estimulación estática en el collar receptor.



Collar receptor



Transmisor



MANUAL DE FUNCIONAMIENTO

PASO 1

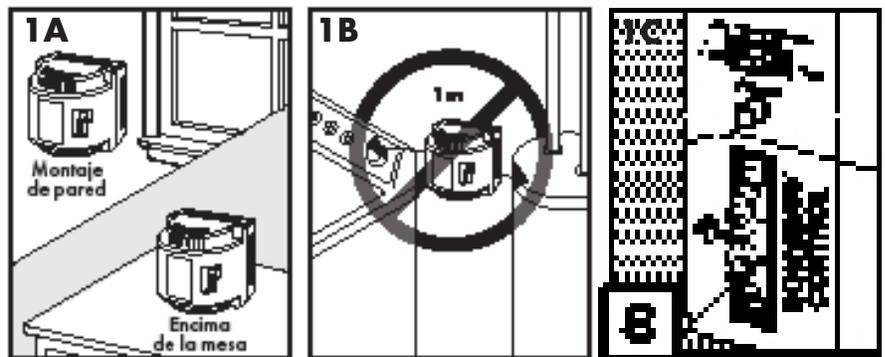
Instalación del transmisor

Importante: Puede que tenga que cambiar de sitio el transmisor varias veces antes de determinar su emplazamiento final.

El transmisor se sitúa en el centro mismo de la zona del perro. Coloque el transmisor:

- En la planta baja de su casa y a un mínimo de 60 cm del suelo.
- En una zona seca, bien ventilada y protegida.
- En una zona en que las temperaturas no bajen de cero (por ejemplo garaje, sótano, cobertizo, armario).
- En una mesa no metálica o montado en una pared (**1A**). Hay una plantilla de montaje en el dorso de este manual.
- Como mínimo a 1 m de grandes objetos metálicos, ya que estos elementos pueden reducir el tamaño y la forma de la zona del perro (**1B**).

Para maximizar la zona del perro, asegúrese de que el conmutador de límites está en "High" y que el selector de control de límites está en "8" (**1C**). Conecte el adaptador de corriente a la toma de alimentación y a la salida estándar. Encienda el transmisor.



PASO 2

Prepare el collar receptor

El collar receptor viene con puntos de contacto cortos instalados. Utilice los puntos de contacto largos para perros con pelo largo o espeso. Retire y vuelva a apretar los puntos de contacto utilizando la llave multiusos (2A). Los puntos de contacto deben apretarse media vuelta más allá del apriete realizado con los dedos. Compruebe semanalmente el ajuste.

Para instalar y extraer la pila

Nota: No instale la pila mientras el perro lleve el collar receptor.

Este proceso debe llevarse a cabo en un radio de 1,5 m del alcance del transmisor.

Este collar receptor utiliza una pila PetSafe® (RFA-67D-11). Esta única pila está diseñada para facilitar el cambio de pila y aumentar la impermeabilidad.

Para instalar la pila, alinee los símbolos de la pila (flecha) y el collar receptor (triángulo) (2B). Utilice el borde de la llave multiusos (2B) para girar la pila en sentido horario hasta que la flecha quede alineada con el símbolo del candado estampado en la carcasa.

Para sacar la pila, gírela en sentido antihorario utilizando el borde de la llave multiusos (2C).

NO intente abrir la pila. Asegúrese de desechar adecuadamente la pila usada.

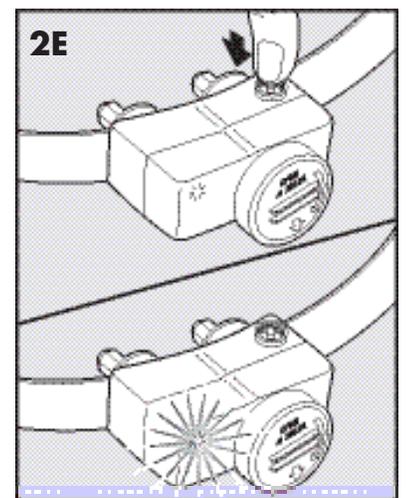
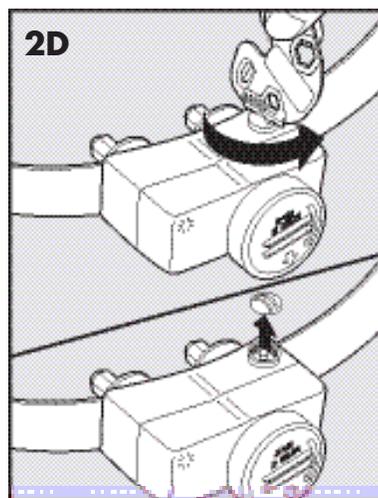
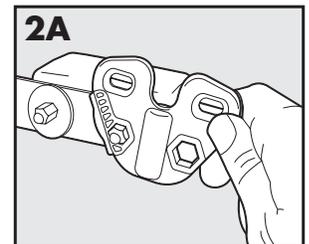
Si la luz indicadora del receptor parpadea cada 4 ó 5 segundos, sustituya la batería. Retire la batería del collar-receptor. A fin de liberar la energía residual, presione el botón de reglaje del nivel de estimulación hasta que se apague la luz indicadora. Inserte una batería nueva.

Los repuestos de pilas PetSafe® (RFA-67D-11) pueden encontrarse en muchas tiendas. Póngase en contacto con el Centro de Asistencia al Cliente o visite nuestra página Web en www.petsafe.net para localizar la tienda más cercana.

Para ajustar el nivel de estimulación estática

Lea todos los pasos siguientes antes de intentar ajustar el nivel de corrección por electricidad estática. Consulte la Tabla de Funciones y Respuestas a continuación para obtener información sobre la configuración del nivel de estimulación estática que mejor se adapte a su mascota.

1. Retire la lámina de plástico transparente con el borde de la llave multiusos para dejar al descubierto el botón de reglaje del nivel de estimulación (2D).



2. Con la pila instalada, pulse el botón de reglaje del nivel de estimulación y suéltelo cuando se encienda la luz indicadora del LED del receptor **(2E)**.
3. La luz indicadora de LED del receptor emite una serie de parpadeos que representan el nivel de estimulación estática.
4. Aumente el nivel de estimulación estática pulsando y soltando el botón de reglaje del nivel de estimulación antes de 5 segundos de la anterior serie de parpadeos.
5. Después de ajustar el nivel de estimulación estática, vuelva a poner la tapa del botón de reglaje del nivel de estimulación para protegerlo.

Los niveles de estimulación estática aumentan de potencia de 1 a 6. Si se aprieta el botón de reglaje del nivel de estimulación cuando el collar receptor está en el nivel 6, el collar receptor vuelve al nivel 1. Consulte la Tabla de Función y Respuesta para elegir el nivel que mejor se adapte a su perro.

La luz indicadora de LED del receptor actúa como un indicador de pila baja, parpadeando cada 4 ó 5 segundos cuando es necesario cambiarla.

Verificación del contacto de la pila

Retire el collar receptor de su mascota. Pulse el botón y verifique que el indicador luminoso LED se ilumina. Si el indicador luminoso LED no se ilumina, saque la pila. Localice las pestañas metálicas del compartimento de la pila. Tire suavemente de las pestañas para asegurarse de que la pila haga contacto adecuadamente. Vuelva a colocar la pila en el collar receptor. Pulse el botón y compruebe que el indicador luminoso LED se ilumina.

Tabla de Función y Respuesta

Respuesta de luz indicadora	Nivel de estimulación estática	Función del collar receptor	Carácter del perro
1 Parpadeo	1	Sin estimulación estática, Sólo pitido	
2 Parpadeos	2	Estimulación estática baja	Tímido
3 Parpadeos	3	Estimulación estática media-baja	Tímido o promedio
4 Parpadeos	4	Estimulación estática media	Energía media
5 Parpadeos	5	Estimulación estática media-alta	Energía alta o media
6 Parpadeos	6	Estimulación estática alta	Energía alta
Parpadea una vez cada 4 a 5 segundos		Indica pila baja	

Función de protección contra correcciones excesivas

Si su mascota entra en la límite de la zona o sobrepasa la zona autorizada, esta función limita la duración de la corrección por electricidad estática a 30 segundos.

En el improbable caso de que su mascota salga de la zona autorizada, no recibirá una corrección por electricidad estática al regresar a la zona autorizada.

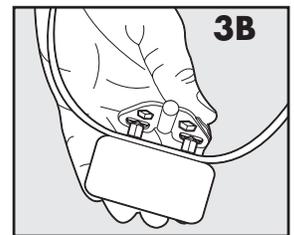
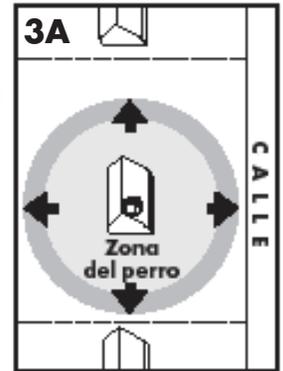
PASO 3

Ajuste la zona del perro al tamaño deseado

Asegúrese de que toda la zona del perro esté dentro de los límites de su propiedad (**3A**). Empiece siempre determinando la límite de la zona en la distancia más corta del transmisor. Ponga el conmutador de límites en "Low" si la límite de la zona es inferior a 13,5 m desde el transmisor.

Asegúrese de que la pila del collar receptor esté correctamente instalada, de que la corrección por electricidad estática esté ajustada al nivel 2 o a un nivel superior, y de que los contactos de la llave multiusos estén tocando los puntos de contacto (**3B**).

Nota: Si su vecino más cercano tiene instalado un sistema de contención subterráneo, consulte la sección de Solución de problemas en la página 91.



Instrucciones relativas a la llave multiusos

1. Ajuste el nivel de corrección a 2 o a un nivel superior.
2. Sujete los contactos de la llave multiusos contra los puntos de contacto.
3. Camine hacia la límite de la zona sujetando el collar receptor a la altura del cuello de su mascota, hasta que se encienda la luz de prueba. Guarde la luz de prueba para futuras comprobaciones.

Nota: si la luz de prueba no se enciende, instale una pila nueva y vuelva a realizar la comprobación. Si aun así no se enciende, póngase en contacto con el Centro de atención al cliente o visite nuestro sitio web www.petsafe.net.

Para maximizar el tamaño de la zona autorizada, asegúrese de que el conmutador de límites esté en el nivel "High" (Alto) y de que el sector de control de límites esté en el nivel "8". Enchufe el adaptador eléctrico a un tomacorriente normal de pared.

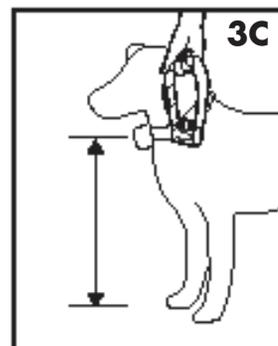
Método de dos personas

Sostenga el collar receptor a la altura del cuello del perro (**3C**) con el lado del logo dirigido hacia la dirección opuesta del transmisor. Camine hacia el extremo de la zona del perro deseada. Dirigiéndolo hacia el lado opuesto del transmisor, sostenga el collar receptor en el extremo de la zona del perro deseada (**3D**).

Empiece con el selector de control de límites en "8", haga que otra persona gire el selector hacia LENTAMENTE. Cuando el collar receptor empiece a pitar, diga a la otra persona que deje de girar el selector de control de límites. Registre los ajustes para futuras referencias en la siguiente tabla.

Método de una persona

Mida la distancia más corta desde la límite de la zona deseada al transmisor. Busque la distancia en la tabla de alcances del transmisor de la Page 81 y configure el conmutador de límites y el selector de control de límites. Sujete los contactos de la luz de prueba contra los puntos de contacto (**3B**). Lleve el collar receptor a la límite de la zona con el lado del logotipo en dirección opuesta al transmisor y con los puntos de contacto hacia arriba (**3C**).



Sujete el collar receptor a la altura del cuello de su mascota **(3D)**, hasta que el collar receptor emita un pitido y se encienda la luz de prueba.

Si el collar receptor emite un pitido antes o después de llegar a la límite de la zona deseada, regrese al transmisor y ajuste el selector de control de límites. Repita este proceso hasta que el collar receptor emita un pitido en la ubicación deseada. Registre los valores de su configuración en la página 81 para poder consultarlos en el futuro.

Gráfica de alcance del transmisor

(Nota: Estas distancias son aproximadas.)

Posición del selector de control de límites	Conmutador de límites LOW	Conmutador de límites HIGH
1	1,5 m a 3 m	1,5 m a 3 m
2	1,5 m a 3 m	1,5 m a 3 m
3	4,5 m a 6 m	7,5 m a 12 m
4	6 m a 7,5 m	12,5 m a 16,5 m
5	7,5 m a 9 m	16,5 m a 19,5 m
6	10,5 m a 12 m	23 m a 26 m
7	12 m a 13,5 m	26 m a 27,5 m
8	12 m a 13,5 m	26 m a 27,5 m

Registre sus ajustes

	Ajuste del conmutador de límites final (HIGH o LOW)	Posición de selector de control de límites final (1-8)	Nivel de Estimulación estática del receptor (1-6)
Casa			
Camping			
Vacaciones			
Otros			

PASO 4

Coloque las banderas de límites

Las banderas de límites son recordatorios visuales para su perro de dónde está la límite de la zona. El collar receptor se activa a una distancia de hasta 0,6 m ó 1 m de las banderas de límites.

1. Utilizando la luz de prueba, y con la corrección por electricidad estática en el nivel 2 o en un nivel superior, sujete el collar receptor a la altura del cuello de su mascota con el logotipo de PetSafe® orientado en dirección opuesta al transmisor.
2. Camine hacia la límite de la zona hasta que el collar receptor emita un pitido y se encienda la luz de prueba (**4A**).
3. Coloque una bandera de límites en el suelo (**4B**).
4. Vuelva hacia la zona del perro hasta que el pitido se pare.
5. Repita este proceso alrededor de la zona hasta marcarla con banderas de límites cada 3 m.



Las banderas pueden estar en diferentes partes de la límite de la zona y pueden no estar en línea. La límite de la zona es de 0,6 m ó 1 m de ancho.

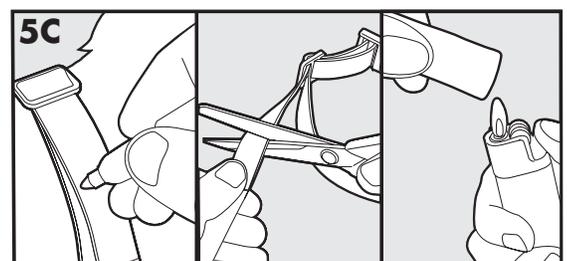
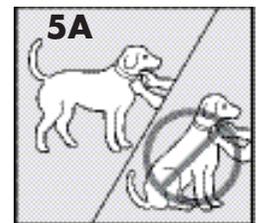
PASO 5

Ajuste del collar receptor

Importante: El ajuste y la colocación adecuados del collar receptor son importantes para un adiestramiento efectivo. Los puntos de contacto deben tocar directamente la piel del perro debajo del cuello.

Para asegurar un ajuste correcto, siga los siguientes pasos:

1. Asegúrese de que la pila no esté instalada en el collar receptor.
2. Empiece con el perro cómodamente de pie (**5A**).
3. Para que sea más fácil oír el pitido de advertencia, coloque el collar receptor en el perro con el lado del logo del receptor hacia arriba.
4. Centre los puntos de contacto debajo del cuello del perro, tocando la piel. Si el perro tiene un pelo largo o espeso, utilice los puntos de contacto largos que se incluye para el contacto a través del pelo.

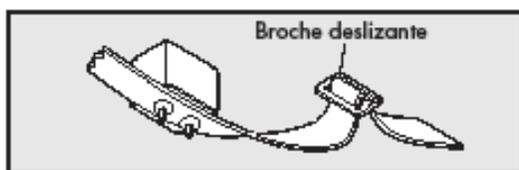


ATENCIÓN

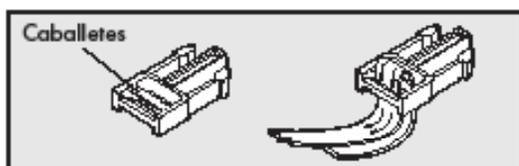
Quizás tenga que recortar el pelo de la zona de los puntos de contacto. No afeite nunca el cuello del perro, eso podría ocasionar una erupción o una infección.

5. Compruebe el ajuste del collar receptor introduciendo un dedo entre el final del punto de contacto y el cuello del perro. El ajuste debe ser ceñido pero sin que le apriete demasiado (**5B**).
6. Deje que el perro lleve el collar durante unos minutos, luego vuelva a comprobar el ajuste. Cuando el perro esté más cómodo con el collar receptor, compruebe otra vez el ajuste.
7. Recorte el collar de la siguiente forma (**5C**):
 - a. Marque la longitud deseada del collar receptor con un bolígrafo. Deje un margen para el crecimiento si su perro es aún joven o si le crece un pelo muy espeso.
 - b. Quite el collar receptor del perro y corte la parte sobrante.
 - c. Antes de volver a ponérselo, selle el extremo del collar cortado aplicando una llama a lo largo del extremo deshilachado.
8. Coloque la pila en el collar receptor.

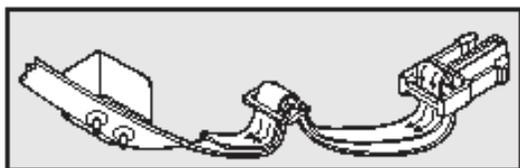
Para volver a pasar el collar



La hebilla evita que el collar se afloje alrededor del cuello del perro.



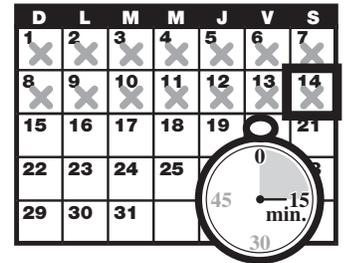
Los pliegues deben estar hacia arriba; el collar resbalará si no se ensarta correctamente.



GUÍA DE ADIESTRAMIENTO

Sea paciente con su perro

Importante: El entrenamiento adecuado de su perro es fundamental para el éxito del Limitador de zona sin cable Wireless Pet Containment System™. Lea esta sección completamente antes de empezar a adiestrar a su perro. Recuerde que el Limitador de zona sin cable Wireless Pet Containment System™ no es una barrera sólida.



- Disfrute con el perro durante el proceso de adiestramiento. El aprendizaje tiene que ser divertido, justo, firme y coherente.
- Entrene de 10 a 15 minutos cada vez. No intente hacer demasiadas cosas ni hacerlas demasiado deprisa. Es mejor hacer sesiones cortas más frecuentes que sesiones largas menos frecuentes.
- Sugerimos hacer un mínimo de 14 días de adiestramiento. Dependiendo del perro y de cómo aprenda, el adiestramiento puede tardar más o menos tiempo.
- Si el perro muestra señales de estrés, vaya más despacio en el proceso de adiestramiento, añada días de aprendizaje o aumente la cantidad de tiempo de juego con el perro en su zona. Algunas de las señales de estrés son las siguientes:
 - El perro tira de la correa hacia la casa
 - Orejas retraídas
 - Cola hacia abajo
 - Cuerpo bajado
 - Nerviosismo o movimientos frenéticos o rigidez en el cuerpo
- El perro debe estar totalmente cómodo cerca de las banderas de límites antes del final de cada sesión de adiestramiento. Dedique como mínimo 5 minutos de "juego" al final de cada sesión dentro de los 3 m de las banderas de límites.
- Termine cada sesión de adiestramiento con un tono positivo con mucho juego y felicitación.
- Quite el collar receptor después de cada sesión de adiestramiento.
- Asegúrese de contener al perro de otra forma durante el período de adiestramiento.
- Durante el adiestramiento, si necesita sacar a su perro fuera de la zona, quítele el collar receptor y llévelo en brazos o póngale en el coche para pasar por la zona.
- Aunque crea que su perro responde bien al aprendizaje, complete todo el proceso de adiestramiento. ¡Es muy importante el refuerzo!

FASE 1

Día 1 – Aprendizaje de las banderas de límites

Realice tres sesiones de adiestramiento el primer día, cada una que dure de 10 a 15 minutos.

Objetivo:

El perro debe aprender que las banderas de límites y el pitido de advertencia del collar receptor definen su nueva zona.

Organización:

- Programe el nivel de estimulación estática del collar receptor en el nivel 1: Modo de adiestramiento por señal acústica solo.
- Coloque un segundo collar no metálico en el cuello del perro ENCIMA del collar receptor y ate una correa.

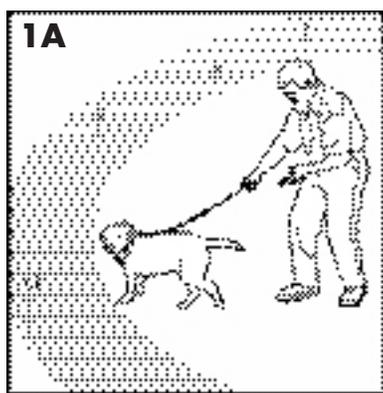
ATENCIÓN

Asegúrese de que el segundo collar no presiona a los puntos de contacto.

- Tenga a mano pequeños trozos de obsequios que su perro encuentre apetecibles.
- Tenga a mano el juguete preferido del perro.

Pasos:

1. Comience caminando con su mascota atada a la correa en la zona autorizada. Hágale elogios y hablele tranquilamente.
2. Camine hacia los banderines de límites (**1A**). Mantenga una actitud de buen humor.
3. Controlando completamente a su mascota por medio de la correa, camine hacia los banderines. A medida que su mascota entra en la límite de la zona, el collar receptor comenzará a emitir una señal acústica (**1B**). Deje que su mascota permanezca en la límite de la zona durante 2 segundos y a continuación guíela suavemente para que regrese a la zona autorizada (**1C**). Elógiela inmediatamente y ofrézcale una golosina cuando entre en la zona autorizada, incluso aunque le haya ayudado guiándola con la correa.
4. Repita este proceso en el mismo banderín de límite hasta que su mascota se resista a entrar en la límite de la zona.
5. Intente que su mascota aprenda este adiestramiento en 3 o 4 banderines de límites por cada sesión. ¡Procure que esta actividad sea DIVERTIDA! Elogie a su mascota si retrocede rápidamente o se resiste a entrar en la límite de la zona.

**FASE 2**

Día 2 a 4 - Continuación del aprendizaje de las banderas de límites

Realice tres sesiones por día, cada una que dure de 10 a 15 minutos.

Objetivo:

Adiestrar al perro a permanecer en su zona y respetar los límites mientras usted está fuera de la misma.

Organización:

- Programe el nivel de estimulación estática del collar receptor en el nivel 2.
- Coloque un segundo collar no metálico en el cuello del perro ENCIMA del collar receptor y ate una correa.

ATENCIÓN Asegúrese de que el segundo collar no presiona a los puntos de contacto.

- Tenga a mano pequeños trozos de obsequios.
- Tenga a mano el juguete preferido del perro.

Pasos:

1. Repita los pasos 1 a 5 de la fase uno.
2. Si su mascota no responde a la corrección por electricidad estática, confirme que el collar receptor está correctamente ajustado, de acuerdo con las instrucciones del Paso 5 en la página 81.
3. Si el receptor está correctamente ajustado y su mascota no responde a la corrección por electricidad estática, suba un grado el nivel de estimulación estática. Esté atento ante las reacciones más leves de su mascota, tales como el levantamiento de las orejas, los giros de la cabeza, o mirar hacia el suelo.
4. Permanezca en el mismo banderín hasta que su mascota se resista a entrar en la límite de la zona.

FASE 3

Días 5 a 8 – Fase de distracción

Realice tres sesiones de adiestramiento por día, cada una que dure de 10 a 15 minutos.

Objetivo:

Adiestrar al perro a permanecer dentro de la zona con distracciones fuera de la zona.

Organización:

- Programe el nivel de estimulación estática del collar receptor en el nivel 2 o un nivel superior en función de la manera de reaccionar de su perro durante los días 2 a 4.
- Coloque un segundo collar no metálico en el cuello del perro ENCIMA del collar receptor y ate una correa.

ATENCIÓN Asegúrese de que el segundo collar no presiona a los puntos de contacto.

- Tenga a mano pequeños trozos de obsequios (las salchichas o los trozos de carne van bien).
- Tenga a mano el juguete preferido del perro.
- Cree distracciones para tentar al perro a entrar en la límite de la zona, como por ejemplo:
 - Hacer que un miembro de la familia cruce desde dentro de la zona hacia fuera.

- Lanzar una pelota fuera de la zona del perro.
- Hacer que un vecino vaya con su perro por fuera del área.

- Incremente gradualmente el nivel de distracción. **Nunca persuada ni llame a su mascota para que salga de la zona autorizada.**

Pasos:

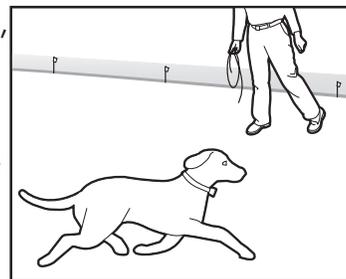
1. Controle totalmente al perro con la correa y preséntele la distracción.
2. Si el perro no se mueve hacia la distracción, prémiele y ofrézcale un obsequio.
3. Si reacciona a la distracción, permítale ir hacia la límite de la zona.
4. Ayude al perro a volver a su zona si no vuelve por sí solo después de 2 segundos.
5. Obsequie y premie al perro en cualquier momento que vuelva a su zona con o sin ayuda.
6. Repita este proceso con otras distracciones. Utilice a otros miembros de la familia durante este proceso.
7. Si su perro no indica reacción ante la estimulación estática, compruebe que el collar receptor está bien colocado y ajustado (véase página 82, paso 5).
8. Si a pesar de que el collar receptor está bien colocado su perro aún no reacciona a la estimulación estática, incremente el nivel de estimulación de un nivel.

FASE 4

Días 9 a 14 - Supervisión sin correa

Las sesiones de adiestramiento deben durar al principio de 10 a 15 minutos, y luego aumentar gradualmente a más de una hora.

El perro estará listo para ello sólo cuando evite claramente toda la zona de banderas, independientemente de cualquier distracción o tentación. Durante esta fase, no deje al perro desatendido.



Objetivo:

Dejar que el perro pueda correr libremente por la zona sin la correa.

Organización:

Ajuste el collar receptor a la configuración permanente adecuada para su perro según su tamaño y temperamento.

Pasos:

1. Entre en la zona con el perro llevando el collar receptor.
2. Camine por el terreno y juegue con el perro, estando siempre dentro de la zona.
3. Ocúpese en alguna otra tarea en el terreno mientras presta atención al perro.
4. Si el perro se escapa, quítele el collar receptor o desconecte el sistema en el transmisor de valla y conduzca al perro de vuelta hacia la zona.

FASE 5

Días 15 a 30 - Supervisión de la mascota

¡Su mascota está lista para correr! Supervise a su mascota a intervalos regulares.

Nota: después de que tenga la certeza de que su mascota está completamente adiestrada, retire uno de cada dos banderines de límites cada cuatro días hasta que haya retirado todos los banderines. Guarde los banderines de límites para poder utilizarlos en el futuro.

Llevar al perro fuera de su zona

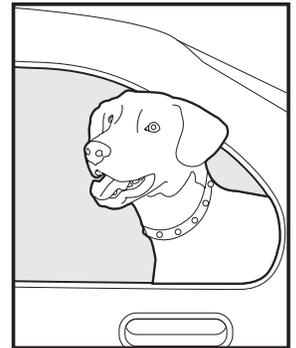
Importante: Quítele el collar receptor y déjelo en la zona del perro.

Cuando el perro aprenda la límite de la zona, no querrá cruzarla ni para pasear o ir en coche.

Opción 1: Sustituya el collar receptor por un collar normal. Meta al perro dentro de un coche que esté dentro de la zona y condúzcalo fuera de la misma.

Opción 2: Sustituya el collar receptor por un collar y correa normales. Saque al perro fuera de su zona a la vez que le da una orden como "Vale" en un lugar específico de la límite de la zona (el final del camino de acceso, acera, etc.). Salga siempre de la zona con una correa por el mismo lugar y el perro asociará salir de la zona sólo con correa, sólo por este lugar, y sólo con una persona. Inicialmente puede que necesite convencer al perro de salir de la zona con un obsequio de comida y mucho encomio.

Nota: Quizás tenga que sacar al perro en brazos de su zona.



Inalámbrico – para - llevar

El Limitador de zona sin cable Wireless Pet Containment System™ es totalmente portátil. Siga los procedimientos de instalación (pasos de 1 a 4) cuando quiera contener al perro. Reestablezca la zona del perro y márquela con banderas de límites para que el animal sepa cuál es su límite de la zona. Nota: Si se instala en un vehículo o construcción metálica, el espacio máximo de la zona del animal doméstico puede reducirse. Asegúrese de extraer la pila del collar receptor antes de apagar el transmisor. Si quiere conectar el transmisor a un coche u otra fuente de CC, utilice un inversor de 50 vatios o superior.

Accesorios

Para comprar accesorios adicionales para su Limitador de zona sin cable Wireless Pet Containment System™ póngase en contacto con el Centro de atención al cliente o visite nuestro sitio web para encontrar una tienda minorista próxima a usted. Para obtener un listado de los números de teléfono de los centros de atención al cliente de su zona visite nuestro sitio web en www.petsafe.net.

Preguntas más frecuentes

¿Qué edad ha de tener una mascota antes de usar el Limitador de zona sin cable Wireless Pet Containment System™?	<ul style="list-style-type: none">• Debido a que todas las mascotas son diferentes, el adiestramiento con este sistema se puede iniciar una vez que su mascota pueda aprender las órdenes básicas, como "siéntate" y "quédate". El sistema sólo se debe usar con mascotas que tengan más de 6 meses. Si su mascota tiene alguna lesión o su movilidad está afectada de cualquier otro modo, póngase en contacto con su veterinario o adiestrador profesional antes de usar el sistema.
¿El collar receptor es impermeable?	<ul style="list-style-type: none">• Sí. Cuando cambie la pila, asegúrese de que el área de la pila esté limpia.
¿Cubre el Limitador de zona sin cable Wireless Pet Containment System™ un círculo más grande de 55 m de diámetro?	<ul style="list-style-type: none">• Puede utilizarse otro transmisor inalámbrico con límites superpuestos de como mínimo 2 m a 3 m para conseguir una zona más grande.
¿Un terreno inclinado afecta a la zona del animal doméstico?	<ul style="list-style-type: none">• La señal del transmisor se extiende 27,5 m en todas direcciones. Un terreno inclinado puede hacer que una zona parezca más o menos de lo supuesto. Se puede recolocar el transmisor para maximizar la zona del animal doméstico.
¿Puedo utilizar más de un collar receptor con el sistema inalámbrico?	<ul style="list-style-type: none">• Sí. El número de animales que se pueden contener con el sistema inalámbrico es ilimitado. Debe comprarse un collar receptor adicional para cada animal. Póngase en contacto con el Centro de Asistencia al Cliente o visite nuestra página Web en www.petsafe.net para localizar la tienda más cercana.
¿El sistema inalámbrico alejará a otros animales domésticos de mi terreno?	<ul style="list-style-type: none">• No. El sistema inalámbrico sólo es efectivo para mascotas que lleven el collar receptor.
¿Existe algún transmisor a distancia portátil que funcione con el collar receptor del sistema inalámbrico?	<ul style="list-style-type: none">• No. Hay que comprar un sistema de adiestramiento a distancia aparte. Póngase en contacto con el Centro de Asistencia al Cliente o visite nuestra página Web en www.petsafe.net para localizar la tienda más cercana.
¿Hay un collar receptor más pequeño u otro collar receptor compatible que pueda usar con el transmisor inalámbrico?	<ul style="list-style-type: none">• No. Póngase en contacto con el Centro de Asistencia al Cliente o visite nuestra página Web en www.petsafe.net para obtener más ideas o soluciones.

<p>¿Si tengo alguna pregunta acerca de mi sistema inalámbrico o necesito cambiar algunas piezas, dónde puedo obtener respuestas o servicio?</p>	<ul style="list-style-type: none"> • Llame al Centro de Asistencia al Cliente o visite nuestra página Web www.petsafe.net.
<p>¿Puedo utilizar el sistema inalámbrico en un animal doméstico agresivo?</p>	<ul style="list-style-type: none"> • No es recomendable utilizar ningún dispositivo de adiestramiento electrónico en animales domésticos agresivos. Si no está seguro de si su perro es agresivo, consulte al veterinario o a un entrenador profesional.
<p>¿Puedo utilizar el sistema inalámbrico en un gato?</p>	<ul style="list-style-type: none"> • El sistema inalámbrico puede utilizarse siempre y cuando el gato pueda llevar cómodamente el collar receptor.
<p>¿Qué pasa si se corta la corriente?</p>	<ul style="list-style-type: none"> • El sistema inalámbrico está diseñado para reconocer los cortes o bajadas de corriente sin activar el collar receptor. Sin embargo, si el animal doméstico está cerca de la límite de la zona durante el corte de corriente, puede que reciba una estimulación estática. Para reducir esta posibilidad, puede utilizarse un dispositivo de batería de reserva para el transmisor si su zona experimenta frecuentes cortes de corriente.
<p>¿Qué ocurre si apago o desenchufo el suministro de energía del transmisor?</p>	<ul style="list-style-type: none"> • Si su perro tiene puesto el collar receptor, puede recibir una corrección no intencionada. Sáquele siempre el collar receptor al perro antes cortar el suministro de energía del transmisor o de efectuar cualquier prueba del transmisor.
<p>¿Qué pasa si pierdo la tapa de plástico transparente para el botón de reglaje del nivel de estimulación?</p>	<ul style="list-style-type: none"> • La tapa de plástico transparente impide que el nivel de estimulación estática se cambie accidentalmente y, además, ayuda a mantener la impermeabilidad del receptor. Llame al Centro de Asistencia al Cliente para obtener otra nueva.
<p>Si el animal abandona su zona, ¿durante cuánto tiempo será corregido?</p>	<ul style="list-style-type: none"> • El animal recibirá estimulación estática mientras esté fuera de su zona durante 30 segundos. El collar receptor tiene una pausa de seguridad para parar la corrección y el pitido después de 30 segundos hasta que el animal vuelva a su zona.
<p>¿Con qué frecuencia tengo que cambiar la pila del collar receptor?</p>	<ul style="list-style-type: none"> • La vida de la pila depende de cuántas veces el perro prueba los límites. La luz indicadora del receptor actúa como un indicador de pila baja, parpadeando cada 5 segundos cuando sea necesario cambiarla.
<p>¿Puedo colocar el receptor en otro collar?</p>	<ul style="list-style-type: none"> • Sí, cualquier collar no metálico. Haga 2 agujeros en el collar para conectar el receptor. Utilice el collar en el kit como plantilla para localizar los agujeros en el nuevo collar.
<p>¿Tengo que realizar servicio de mantenimiento en mi sistema inalámbrico?</p>	<ul style="list-style-type: none"> • Compruebe diariamente que no haya irritación en el cuello del perro por los puntos de contacto. • Compruebe semanalmente el ajuste del collar receptor. • Compruebe semanalmente los puntos de contacto en el collar receptor para asegurar que están limpios y bien ajustados. • La luz indicadora del receptor actúa como un indicador de pila baja, parpadeando cada 4 ó 5 segundos cuando es necesario.

<p>¿Cómo puedo saber que la pila del collar receptor funciona?</p>	<ul style="list-style-type: none"> • Quite el collar receptor del perro y camine hacia la límite de la zona. El collar receptor deberá emitir un pitido. Si no lo hace, cambie la pila.
<p>¿Los vehículos, edificios y características del terreno (árboles, arbustos, etc.) afectarán el rendimiento del sistema inalámbrico?</p>	<ul style="list-style-type: none"> • Sí. Colocar el transmisor en el interior de un edificio de estructura metálica puede causar la reducción del alcance máximo del sistema inalámbrico. • Estacionar un vehículo en el interior de la zona autorizada puede reducir el alcance del sistema y hacer que su mascota reciba una corrección por electricidad estática que no se produciría si el vehículo no hubiera estado en este lugar. • Los objetos metálicos fijos de gran tamaño tales como los cobertizos metálicos, pueden afectar la señal reduciendo el alcance máximo del sistema en la ubicación en que se encuentra el objeto. Como resultado de ello, su mascota puede recibir una corrección por electricidad estática.
<p>¿Qué debo hacer si el cuello del animal se irrita?</p>	<ul style="list-style-type: none"> • Esto se debe a que los puntos de contacto irritan la piel. Deje de utilizar el collar receptor durante unos días. Si esta situación persiste durante más de 48 horas, consulte a su veterinario. Cuando la piel vuelva a su estado normal, cambie el collar receptor y vaya controlando muy de cerca el estado de la piel.
<p>¿Puedo poner una correa en el collar receptor?</p>	<ul style="list-style-type: none"> • No. Esto puede hacer que los puntos de contacto estén demasiado apretados contra el cuello del perro. Ate una correa a un collar separado y no metálico colocado encima del collar receptor.
<p>¿Por qué tiene mi collar receptor un modo de sólo pitido?</p>	<ul style="list-style-type: none"> • El modo de sólo pitido puede usarse para adiestrar al perro a sus límites o para perros bien adiestrados que ya no requieren estimulación estática.

Solución de problemas

<p>El collar receptor no emite pitidos cuando se instala la límite de la zona.</p>	<ul style="list-style-type: none"> • Puede ser difícil oír el pitido en un entorno ruidoso • Instale la luz de prueba tal como se ha explicado en la sección "Instrucciones relativas a la llave multiusos", y utilícela para determinar el emplazamiento de la zona de límites. • Compruebe que el transmisor está instalado de acuerdo con las normas e instale una nueva pila a menos de 1,5 m a 3 m del transmisor. • Resincronización del sistema (página 94).
---	---

<p>El collar receptor no emite pitidos ni produce estimulación estática.</p>	<ul style="list-style-type: none"> • Compruebe que el transmisor esté enchufado a una salida que esté encendido, que la luz de alimentación esté encendida, y que los controles del transmisor estén establecidos en los ajustes deseados. • Compruebe la pila del receptor para asegurar que esté adecuadamente instalada. • Cuando cambie la pila, hágalo a menos de 1,5 m a 3 m del transmisor. • Resincronización del sistema (página 94).
<p>El collar receptor emite pitidos en todas partes.</p>	<ul style="list-style-type: none"> • Compruebe que el transmisor esté enchufado a una salida estándar, que esté encendido, que la luz de alimentación esté encendida, y que los controles del transmisor estén establecidos en los ajustes deseados. • Lleve el collar receptor a menos de 1,5 m a 3 m del transmisor para su reajuste. • Resincronización del sistema (página 94).
<p>El collar receptor emite pitidos dentro de la casa.</p>	<ul style="list-style-type: none"> • Asegúrese de que el transmisor esté encendido y ajustado de acuerdo con las normas. • Asegúrese de que toda la casa esté dentro de la zona del perro. Puede que haya que trasladar el transmisor y ajustar la zona del perro para incluir toda la casa. • Si vuelve a resituar el transmisor, quite el collar receptor del perro antes de apagar el transmisor. • Resincronización del sistema (página 94).
<p>Mi mascota está recibiendo una corrección por electricidad estática en su jaula de metal.</p>	<ul style="list-style-type: none"> • El collar receptor se activa cuando pierde la señal del transmisor. La jaula metálica puede bloquear la señal del transmisor, lo cual provoca la activación del collar receptor. • Retire el collar receptor de su mascota cuando la ponga en su jaula metálica.
<p>La límite de la zona parece fluctuar.</p>	<ul style="list-style-type: none"> • Esto es normal para el campo electromagnético del sistema inalámbrico. El campo puede estar afectado por "ruido electrónico" del entorno que puede hacerlo fluctuar hasta un 5%. • Cuando el collar receptor se activa se ve influido por la velocidad y la orientación del collar receptor cuando el perro entra en la límite de la zona.
<p>El collar receptor se activa a mitad del terreno.</p>	<ul style="list-style-type: none"> • El collar receptor se activa cuando pierde la señal del transmisor. Esto a veces ocurre cuando hay un objeto metálico grande entre el collar receptor y el transmisor, cuando la orientación del collar receptor cambia cerca de la límite de la zona, o cuando el "ruido electrónico" del entorno interfiere con la señal. Si sigue produciéndose este fenómeno, considere la posibilidad de resituar el transmisor y reajustar la zona del perro. • Resincronización del sistema (página 94).

<p>El collar receptor emite pitidos pero el perro no responde a la estimulación estática.</p>	<ul style="list-style-type: none"> • Asegúrese de que el nivel de estimulación estática esté en 2 o superior. • Compruebe el collar receptor con la luz de prueba. • Si la luz de prueba parpadea, compruebe el ajuste del collar receptor. • Recorte el pelo del perro allí donde los puntos de contacto tocan con el cuello y/o cambie a puntos de contacto más largos. • Aumente el nivel de estimulación estática. • Repita los pasos del adiestramiento para reforzarlo.
<p>Mi perro reacciona mucho a la estimulación estática y se asusta.</p>	<ul style="list-style-type: none"> • Disminuya el nivel de estimulación estática. • Asegúrese de que está en control de la situación cuando el perro recibe sus primeras correcciones estáticas (llévelo en una correa unida a un collar separado, no metálico), condúzcalo hacia su zona y felicítelo. Si el perro sigue estando asustado, suspenda el adiestramiento y empiece otra vez el próximo día. Asegúrese de terminar cada sesión de adiestramiento con un tono positivo con mucho juego y felicitación.
<p>La luz de alimentación no está encendida.</p>	<ul style="list-style-type: none"> • Compruebe que el interruptor de encendido/apagado del transmisor esté encendido y que el adaptador de corriente esté enchufado al transmisor y a una salida estándar.
<p>Estaba instalando la zona del perro y, cuando bajé el selector de control de límites, el collar receptor dejó de pitar y corregir.</p>	<ul style="list-style-type: none"> • Puede que haya bajado el selector de control de límites demasiado deprisa, lo cual ha hecho que el collar receptor haya pasado al modo de fallo de alimentación. Esto es un dispositivo de seguridad diseñado para proteger al perro cuando se corta la corriente del transmisor. Con el collar receptor a menos de 1,5 m a 3 m del transmisor, ponga el selector de control de límites a "8" y reajuste la límite de la zona, bajando lentamente el selector.
<p>Mi vecino más cercano tiene instalado un sistema de contención subterráneo. El sistema y el collar receptor no se activan en las inmediaciones de su propiedad.</p>	<ul style="list-style-type: none"> • La señal del sistema de contención subterráneo de su vecino puede interferir con el funcionamiento del collar receptor, impidiendo su activación. Para minimizar esta interferencia, reduzca el tamaño de la zona autorizada o separe el transmisor del sistema de contención subterráneo. • Ajuste la zona autorizada de forma que el collar receptor se active a al menos 1,5 m más allá del nivel reducido de límites al caminar hacia el sistema de contención subterráneo.

El collar receptor ha causado lesiones en el cuello de mi mascota.

No seguir las instrucciones de seguridad importantes indicadas en la parte delantera del Manual de funcionamiento y de adiestramiento ha causado las úlceras por presión. Algunas de las descripciones de las úlceras por presión avanzadas describen las llagas con un aspecto de quemaduras en el cuello del perro. Puede estar seguro de que los collares electrónicos no utilizan suficiente energía como para crear quemaduras eléctricas. La energía en un pulso de salida es sólo de unas pocas milésimas de julio; es de naturaleza similar a la del pulso de electricidad estática que puede sentir al salir de su automóvil. En algunos casos, las úlceras por presión son descritas como quemaduras químicas. La pila RFA-67D-11 está sellada cuando se instala en el receptáculo del collar receptor. Esta característica de sellado hace que sea prácticamente imposible que la pila de su collar receptor derrame su contenido sobre el cuello de su mascota, siempre y cuando no se someta a un uso indebido o abusivo. Por favor revise y siga la información de seguridad importante de la página 72, así como las instrucciones en el paso 5 bajo el título "Ajuste el collar receptor".

Resincronización del sistema

1. Retire el collar receptor de su mascota.
2. Saque la pila del collar receptor. Descargue toda la energía pulsando el botón de reglaje del nivel de estimulación hasta que el indicador luminoso LED se apague.
3. En el transmisor, cambie el conmutador de límites desde la posición de nivel bajo a la posición de nivel alto.
4. Ajuste lentamente el selector de control de límites hasta el nivel 8, bájelo al nivel 1, y finalmente al nivel 4.
5. Situándose a una distancia de entre 1,5 y 3 m del transmisor, vuelva a insertar la pila en el collar receptor.
6. Compruebe el límite y verifique el funcionamiento del sistema saliendo de la zona autorizada hasta que su collar receptor responda. Con el transmisor ajustado en el nivel 4, se debe activar a una distancia aproximada de 12 a 15 m.

Cuando esté seguro de que el sistema funciona correctamente, vuelva a poner los controles del transmisor en su posición original.



Eliminación de las pilas

Este dispositivo funciona con una pila de litio de 6 voltios con 240 mAh de capacidad. Reemplácela solamente con una pila equivalente procedente del Centro de atención al cliente. Para obtener un listado de los números de teléfono de los Centros de atención al cliente visite nuestro sitio web en www.petsafe.net. En muchas regiones del mundo, las pilas gastadas deben recogerse por separado. Compruebe las normas vigentes en su país antes de deshacerse de las pilas gastadas. Consulte la página 78 para ver instrucciones sobre cómo retirar la pila del producto y desecharla por separado.



Aviso importante sobre el reciclaje

Respete las normas relativas a la eliminación de equipos eléctricos y electrónicos de su país. Este equipo debe ser reciclado. Si no necesita más este equipo, no lo tire a la basura convencional. Devuélvalo a la tienda donde lo compró para que pueda ser incluido en nuestro sistema de reciclado. Si esto no es posible, póngase en contacto con el Centro de atención al cliente para obtener más información.

Conformidad



Este equipo ha sido sometido a pruebas y ha demostrado cumplir con la normativa R&TTE de la UE. Antes de usar este equipo fuera de los países de la UE, consulte a la autoridad RTTE local relevante. Los cambios o modificaciones sin autorización realizados en el equipo que no estén aprobados por Radio Systems Corporation pueden infringir la normativa R&TTE de la UE, podrían anular la autoridad del usuario para usar el equipo y anularán la garantía.

Por el presente documento, Radio Systems Corporation, declara que su sistema PIF-300-21 Limitador de zona sin cable Wireless Pet Containment System™ cumple con los requisitos esenciales y con las demás provisiones relevantes de la normativa 1999/5/EC. La declaración de conformidad se puede encontrar en: http://www.petsafe.net/customer-care/eu_docs.php.

IC - Canadá

Este dispositivo cumple con la(s) norma(s) RSS para dispositivos exentos de licencia de la industria de Canadá. El funcionamiento está sujeto a las dos condiciones siguientes: (1) este dispositivo puede que no cause interferencias y (2) este dispositivo debe aceptar cualquier interferencia, incluyendo interferencias que puedan causar un funcionamiento no deseado del dispositivo.

ACMA- Australia

Este aparato cumple los requisitos EMC aplicables especificados por la ACMA (Australian Communications and Media Authority).

Condiciones de uso y limitación de responsabilidad

1. Condiciones de uso

Este producto se ofrece bajo condición de su aceptación sin modificación de los términos, condiciones y avisos aquí contenidos. El uso de este producto implica la aceptación de estos términos, condiciones y avisos.

2. Uso adecuado

Este producto está diseñado para su uso con animales domésticos a los que se quiera adiestrar. El carácter específico de su animal doméstico puede impedir que este producto funcione. Si no está seguro de que este producto sea adecuado para su animal doméstico, consulte al veterinario o a un entrenador profesional.

3. Uso ilegal o prohibido

Este producto está diseñado para su uso exclusivo con animales domésticos. Este dispositivo de adiestramiento de animales domésticos no está pensado para dañar, lastimar ni provocar.

El uso de este producto para otros fines para los que no esté destinado puede representar una violación de las leyes estatales, autonómicas o locales.

4. Limitación de responsabilidad

Radio Systems Corporation no será en ningún caso responsable por ningún perjuicio directo, indirecto, punitivo, incidental, especial o consecuente, ni por ningún otro perjuicio, sea cual sea, que se produzca como consecuencia de o relacionado con el uso o mal uso de este producto.

5. Modificación de las condiciones generales

Radio Systems Corporation se reserva el derecho a cambiar periódicamente los términos, condiciones y notificaciones bajo los que se ofrece este producto.

Spiegazione dei termini e dei simboli di Attenzione utilizzati in questa guida



È il simbolo di allerta sicurezza. Si usa per avvisare di ogni possibile rischio di infortunio alle persone. Osservare tutti i messaggi di sicurezza segnalati da questo simbolo per evitare possibili infortuni o la morte.

AVVERTENZA

AVVERTENZA indica una situazione pericolosa che, se non evitata, potrebbe causare morte o gravi lesioni.

ATTENZIONE

ATTENZIONE, utilizzato senza il simbolo di allerta sicurezza, indica una situazione di pericolo che, se non evitata, potrebbe provocare del male all'animale.

AVVISO

AVVISO si usa per indicare pratiche d'uso di sicurezza non correlate ad infortuni personali.

AVVERTENZA

- Da non utilizzare con cani aggressivi. Non utilizzare questo prodotto se il cane è aggressivo o se tende ad avere un comportamento aggressivo. I cani aggressivi possono causare gravi ferite e persino il decesso del loro padrone e di altri. In caso di dubbi sull'idoneità del prodotto per il proprio cane, rivolgersi al veterinario o un addestratore certificato.
- Rischio di scossa elettrica. Utilizzare il trasmettitore unicamente in interni e in luoghi asciutti.

ATTENZIONE

- Questo sistema NON è una barriera solida, ma è progettato unicamente per fungere da deterrente e ricordare agli animali di rimanere entro l'area delimitata tramite una stimolazione statica. È importante ripetere regolarmente l'addestramento dell'animale. Poiché il livello di tolleranza alla stimolazione statica varia a seconda dell'animale, Radio Systems Corporation NON PUÒ garantire che il sistema mantenga sempre l'animale entro l'area delimitata stabilita. Non è sempre possibile addestrare tutti gli animali a non oltrepassare le aree delimitate! Perciò, se si ha ragione di credere che il proprio animale possa costituire un pericolo per altri o farsi del male se non viene trattenuto all'interno dell'area protetta, è opportuno NON affidarsi unicamente a questo sistema per contenerlo. Radio Systems Corporation DECLINA qualunque responsabilità per danni materiali, perdite economiche o qualunque danno conseguente, subito in seguito alla fuga dell'animale dall'area delimitata.
- La corretta applicazione del collare è importante. Un collare portato troppo a lungo, o troppo stretto, sul collo dell'animale può causare danni alla cute. I danni vanno dall'arrossamento alle ulcere da pressione; questa condizione è comunemente nota come formazione di piaghe da decubito.
 - Evitare di lasciare il collare sul cane per più di 12 ore al giorno.
 - Se possibile, riposizionare il collare sul collo dell'animale ogni 1 a 2 ore.
 - Controllare l'aderenza, per evitare eccessiva pressione; seguire le istruzioni di questo manuale.
 - Non collegare mai un guinzaglio al collare elettronico, per non causare una pressione eccessiva dei contatti.
 - Utilizzando un collare separato per il guinzaglio, non creare troppa pressione sul collare elettronico.
 - Lavare l'area del collo del cane e i contatti del collare ogni settimana con un panno umido.
 - Esaminare quotidianamente l'area di contatto per rilevare eventuali arrossamenti o escoriazioni.
 - Se si rilevano arrossamenti o escoriazioni, interrompere l'uso del collare finché la cute non è guarita.
 - Se il problema si protrae oltre le 48 ore, rivolgersi a un veterinario.
 - Per ulteriori informazioni su piaghe e necrosi da pressione, si prega di visitare il nostro sito web.

ATTENZIONE

Questi accorgimenti contribuiranno a garantire la sicurezza e il comfort del proprio animale. Per milioni di animali indossare i contatti in acciaio inossidabile non crea alcun disagio. Alcuni sono sensibili alla pressione da contatto. Se dopo un po' di tempo si vede che il proprio animale tollera bene il collare, è possibile usare meno rigore nell'applicazione di queste norme precauzionali. È comunque importante continuare a controllare quotidianamente la zona di contatto. Se si notano arrossamenti o escoriazioni, interrompere l'uso fino a completa guarigione della cute.

- Potrebbe essere necessario spuntare il pelo nell'area delle sonde di contatto. Non radere mai il collo del cane; questo potrebbe provocare arrossamenti o infezioni.
- Togliere sempre il collare ricevitore dal cane prima di eseguire i test del trasmettitore.
- Il cane non deve indossare il collare ricevitore quando si collauda il sistema. Potrebbe ricevere una correzione involontaria.
- Per evitare correzioni accidentali del proprio animale, l'ampiezza del perimetro dell'area delimitata deve essere controllato ogni qualvolta se ne esegue la regolazione.
- Se si usa un collare e un guinzaglio a fini di addestramento, verificare che il collare aggiuntivo non eserciti pressione sui punti di contatto.
- Non scollegare mai il sistema con il collare indosso al cane per non attivare il collare ricevitore.
- Radio Systems Corporation raccomanda caldamente l'uso di un gruppo di continuità (UPS) con la recinzione wireless. Se si verificasse un'interruzione di corrente, l'animale resterebbe privo di protezione antifuga. Le interruzioni di corrente possono essere imprevedibili e l'uso di un gruppo di continuità può consentire tempo sufficiente a prendere provvedimenti e impedire la fuga dell'animale.

In rari casi, se l'animale è vicino alla recinzione al momento in cui si verifica l'interruzione, è possibile che riceva una correzione. La correzione si interrompe dopo 30 secondi. Ciò è dovuto al funzionamento del collare che si attiva quando il segnale antifuga è assente.

Benché i risultati differiscano in base ai valori di specifica dichiarati dal produttore del gruppo di continuità, gli esempi tipici seguenti possono guidarvi nella scelta di un UPS:

- Con un UPS da 400 VA l'acquirente può attendersi un backup della durata di 3 ore.
- Con un UPS da 900 VA UPS l'acquirente può attendersi un backup della durata di 8 ore.

Se si usano impostazioni inferiori alla misura massima della recinzione, la durata del backup si prolunga. Con impostazioni al minimo della misura della recinzione, il tempo di back up può risultare più del doppio di quello stimato per la dimensione massima della recinzione.

AVVISO

- Per evitare una correzione involontaria, dopo la collocazione delle bandierine, accertarsi di aver reimpostato la Stimolazione statica sul collare ricevitore sul livello 1, solo segnale acustico.
- Non appoggiare nulla sopra il trasmettitore né coprire le aperture di ventilazione per non surriscaldarlo causandone il guasto prematuro.
- Non posizionare il trasmettitore in un armadio, uno sgabuzzino o altra area confinata e priva di ventilazione.

EN

FR

NL

ES

IT

DE

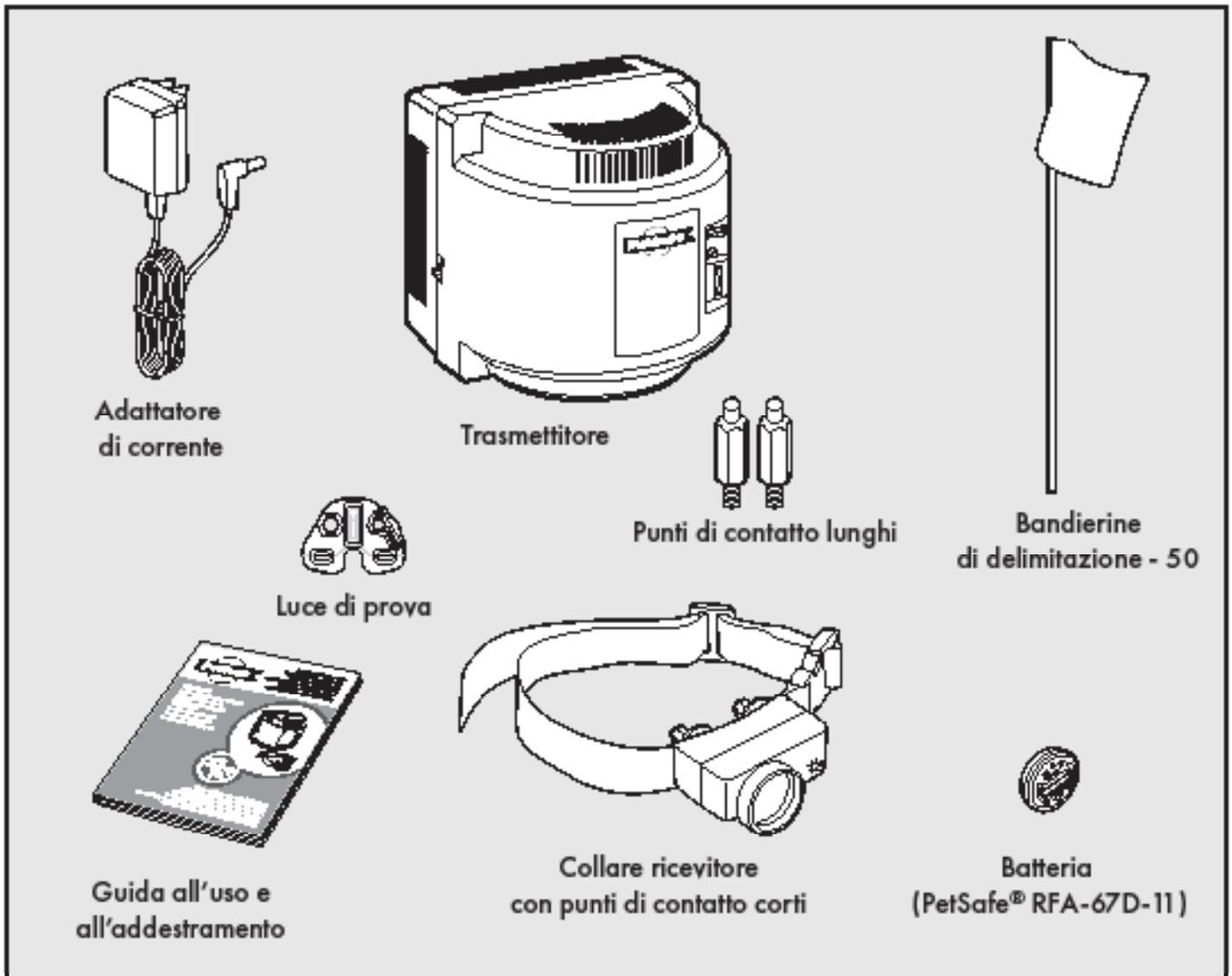
Grazie per aver scelto PetSafe®. Voi e il vostro animale meritate un'amicizia fatta di momenti indimenticabili e di comprensione reciproca. I nostri prodotti e strumenti per l'addestramento promuovono uno stile di vita all'insegna della protezione, dell'insegnamento e dell'amore: prerogative essenziali in grado di influenzare i ricordi di tutta una vita. **Se avete domande sui nostri prodotti o sull'addestramento del vostro cane, visitate il nostro sito all'indirizzo www.petsafe.net o rivolgetevi al nostro centro assistenza clienti. Per l'elenco dei numeri di telefono dei centri assistenza clienti, visitate il nostro sito web all'indirizzo www.petsafe.net.**

Per usufruire della copertura integrale della nostra garanzia, è necessario registrare il prodotto entro 30 giorni sul sito www.petsafe.net. Registrando il prodotto e conservando lo scontrino, potrete usufruire della garanzia completa sul prodotto e, nel caso doveste rivolgervi al centro di assistenza alla clientela, saremo in grado di aiutarvi più rapidamente. Soprattutto, PetSafe® si impegna a non vendere né a consegnare mai a nessuno i vostri preziosi dati personali. Il testo completo della garanzia si trova sul nostro sito web all'indirizzo www.petsafe.net.

Elenco del contenuto

Componenti	99
Altri strumenti necessari	99
Funzionamento del sistema.....	100
Definizioni	100
Guida all'uso	
Impostazione del trasmettitore.....	101
Preparazione del collare ricevitore	102
Verifica dei contatti della batteria.....	103
Regolazione delle dimensioni dell'area di movimento.....	104
Grafico area di copertura del trasmettitore	105
Posizionamento delle bandierine di zona di delimitazione	106
Posizionamento del collare ricevitore	106
Guida all'addestramento	
Siate pazienti con il vostro animale	108
Giorno 1 – Consapevolezza delle bandierine di zona di delimitazione	109
Giorni da 2 a 4 – Rafforzamento della consapevolezza delle bandierine di zona di delimitazione.....	110
Giorni da 5 a 8 – Fase di distrazione.....	110
Giorni da 9 a 14 – Supervisione senza guinzaglio	111
Giorni da 15 a 30 - Monitoraggio dell'animale.....	112
Far uscire il cane dall'area riservata.....	112
Sistema portatile senza fili.....	112
Accessori	113
Domande più frequenti	113
Ricerca Guasti	115
Risincronizzare il sistema	118
Smaltimento della batteria.....	118
Conformità.....	119
Condizioni di Utilizzo e Limitazione della Responsabilità	119

Componenti



Altri strumenti necessari

- Pinze
- Forbici
- Accendino
- Trapano e minuteria per il montaggio
- Metro a nastro
- Collare non metallico e guinzaglio

Funzionamento del sistema

Sistema antifuga senza fili Wireless Pet Containment System™ si è dimostrato sicuro, comodo ed efficace per tutti i cani di peso superiore ai 3,6 chilogrammi. Il sistema funziona trasmettendo un segnale radio fino ad un raggio di circa 27,5 m in tutte le direzioni. Occorre delimitare temporaneamente l'area destinata al cane con bandierine che serviranno da ausilio visivo durante la fase di addestramento. Il cane indossa un collare ricevitore con punti di contatto intorno al collo ed una volta addestrato può correre liberamente nella sua area. Quando il cane raggiunge la zona di delimitazione, il collare ricevitore invia un segnale acustico prima di passare ad una stimolazione statica sicura tramite i punti di contatto per attirare la sua attenzione e farlo ritornare nella sua area.

Definizioni

Trasmittitore: Trasmette il segnale radio ed è il centro dell'area di movimento dell'animale.

Area di movimento: Distanza dal trasmettitore, entro la quale il vostro animale può muoversi liberamente.

Zona di delimitazione: Area di larghezza compresa fra 0,6 m e 1 m fuori dall'area di movimento, entro la quale il collare ricevitore del vostro animale comincerà ad emettere un segnale acustico seguito da una stimolazione statica. La correzione avrà inizio nella zona di delimitazione e proseguirà in qualsiasi zona al di là dell'area di movimento. N.B.: Il collare ricevitore è equipaggiato con un timer di sicurezza che interrompe la correzione dopo 30 secondi se l'animale resta fuori dall'area di movimento.

Collare ricevitore: Riceve il segnale radio dal trasmettitore.

Pulsante di regolazione del livello di stimolazione: Regola il livello di stimolazione statica impartita al vostro animale fuori dall'area di movimento.

Indicatore luminoso del ricevitore: Indica il livello di correzione impostato per il collare ricevitore. Questo indicatore luminoso funge anche da indicatore di batteria scarica.

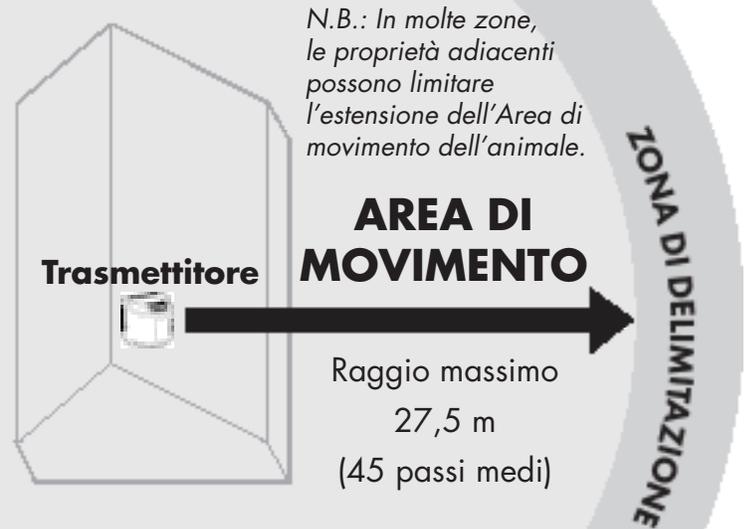
Punti di contatto: Impartiscono la stimolazione statica sicura quando il vostro animale entra nella zona di delimitazione.

Presca elettrica: Dove l'Adattatore di corrente si inserisce nel trasmettitore. Il trasmettitore è alimentato da una presa standard.

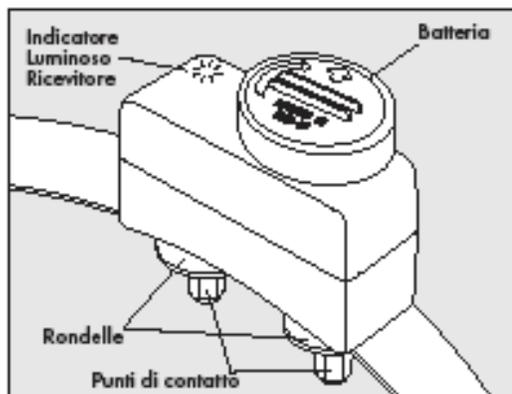
Interruttore limite: Viene regolato in base alle dimensioni dell'area di movimento desiderata.

Indicatore di accensione: Indica quando il trasmettitore è acceso.

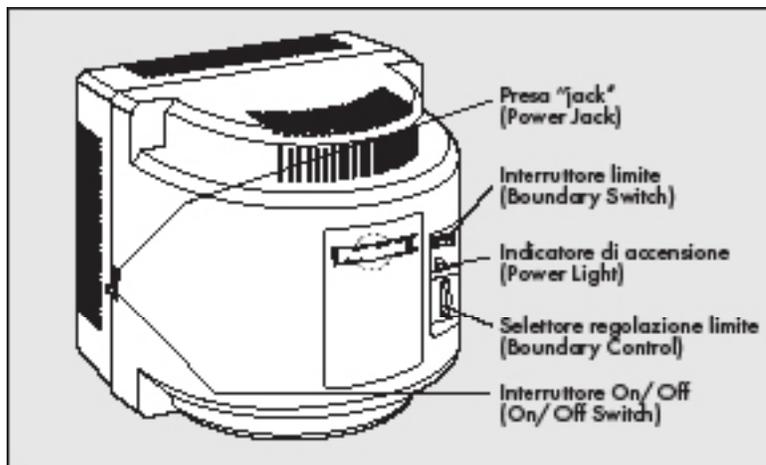
Selettore di regolazione zona di delimitazione: Regola la distanza dal trasmettitore alla zona di delimitazione. N.B.: La regolazione del selettore non modifica il livello di stimolazione statica sul collare ricevitore.



Collare Ricevitore



Trasmittitore



GUIDA ALL'USO

PUNTO 1

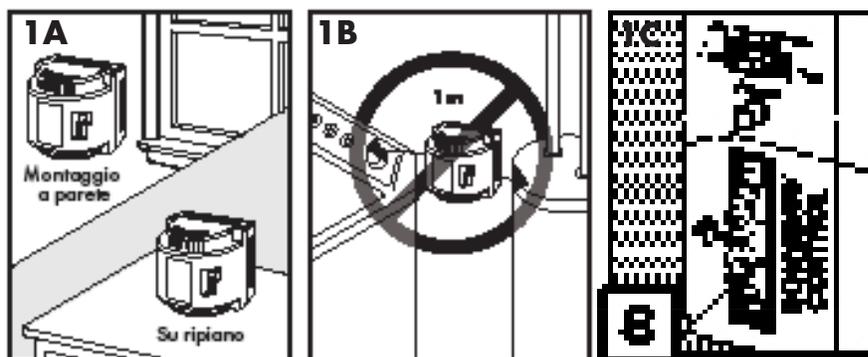
Impostazione del trasmettitore

Importante: Potrebbe essere necessario spostare il trasmettitore varie volte prima di individuare la collocazione definitiva.

Il trasmettitore è posizionato esattamente al centro dell'area di movimento. Collocate il trasmettitore:

- Al pianterreno e ad almeno 60 cm dal pavimento.
- In un'area asciutta, ben ventilata e protetta.
- In un'area non a rischio di gelo (ad es. garage, cantina, capannone, ripostiglio).
- Su un ripiano non metallico oppure montato a parete (**1A**). Alla fine della presente guida è inclusa una dima di montaggio.
- Ad almeno 1 m di distanza da oggetti metallici di grandi dimensioni, che possono ridurre l'estensione e la forma della vostra area di movimento (**1B**).

Per massimizzare l'area di movimento, verificate che l'Interruttore Limite sia posizionato su "High" e che il Selettore di regolazione limite sia impostato su "8" (**1C**). Inserire l'Adattatore di corrente nella presa "jack" e nella presa standard. Accendete il trasmettitore.



PUNTO 2

Preparazione del collare ricevitore

Il collare ricevitore è fornito con punti di contatto corti. Utilizzate i punti di contatto lunghi per cani a pelo lungo o folto. Rimuovere e riserrare i punti di contatto utilizzando il cercafase della chiave multiuso (2A). I contatti devono essere serrati di mezzo giro oltre il massimo serrato a mano. Controllate il serraggio con frequenza settimanale.

Come inserire e rimuovere la batteria

N.B.: Non installare la batteria quando il cane indossa il collare ricevitore.

Questa procedura deve essere effettuata entro 1,5 m dal trasmettitore.

Il collare ricevitore utilizza una batteria sostituibile PetSafe® (RFA-67D-11). Questa batteria esclusiva è stata appositamente studiata per facilitarne la sostituzione e garantire una maggiore impermeabilità.

Per inserire la batteria, allineate i simboli sulla batteria (freccia) ed il collare ricevitore (triangolo) (2B). Utilizzare l'estremità della chiave multiuso (2B) per ruotare la batteria in senso orario, finché la freccia non si allinea al simbolo di blocco sull'alloggiamento.

Per rimuovere la batteria, ruotarla in senso antiorario utilizzando l'estremità della chiave multiuso (2C). NON CERCATE di tagliare o aprire con una levetta la batteria. Assicuratevi di eliminare correttamente la batteria usata.

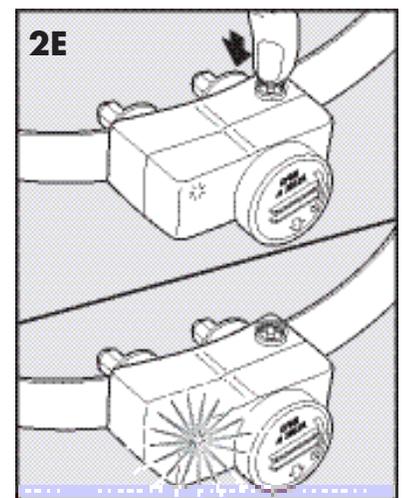
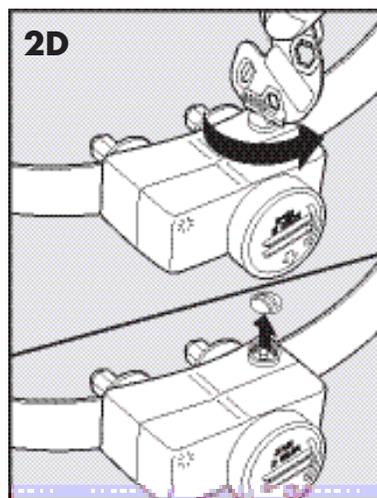
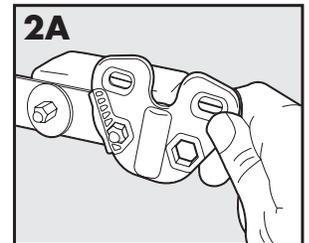
Se l'indicatore luminoso del ricevitore lampeggia ogni 4 o 5 secondi, la batteria deve essere sostituita. Rimuovere la batteria guasta. Per scaricare tutta l'energia residuale premere il pulsante di regolazione del livello di stimolazione finché non si spegne l'indicatore luminoso. Inserire una batteria nuova.

La batteria di ricambio PetSafe® (RFA-67D-11) è reperibile presso numerosi rivenditori. Contattate il Centro di Assistenza Clienti oppure visitate il nostro sito web www.petsafe.net per l'indirizzo del rivenditore più vicino.

Come impostare il livello di stimolazione statica

Prima di impostare il livello di stimolazione statica, leggere tutti i passaggi seguenti. Fare riferimento alla tabella "Funzioni e risposte" per informazioni sull'impostazione del livello di stimolazione statica più consono all'animale.

1. Rimuovere il coperchio di plastica trasparente con l'estremità della chiave multiuso per visualizzare il pulsante di regolazione del livello di stimolazione (2D).
2. Con la batteria installata, premete il pulsante di regolazione del livello di



- stimolazione rilasciandolo quando l'indicatore luminoso del Ricevitore (LED) si illumina **(2E)**.
- L'indicatore luminoso del Ricevitore (LED) lampeggerà diverse volte rappresentando il livello di stimolazione statica.
 - Per aumentare il Livello di stimolazione statica, premete e rilasciate il pulsante di regolazione del livello di stimolazione entro 5 secondi dalla prima serie di lampeggi.
 - Dopo aver impostato il Livello di stimolazione statica, riposizionate il coperchio di protezione del pulsante di regolazione del livello di stimolazione.

La potenza dei Livelli di stimolazione statica aumenta da 1 a 6. Premendo il pulsante di regolazione del livello di stimolazione quando il collare ricevitore è sul livello 6, si riporterà il collare ricevitore al livello 1. Consultare la Tabella Funzioni e Risposte per scegliere il livello di stimolazione statica più adatto al vostro cane.

L'Indicatore Luminoso del Ricevitore LED agisce da indicatore di batteria scarica lampeggiando ogni 4 a 5 secondi quando è necessario sostituirla.

Verifica dei contatti della batteria

Rimuovere il collare ricevitore dal cane. Premere il pulsante e verificare che il LED si accenda. Se l'indicatore LED non si illumina, estrarre la batteria. Identificare le linguette metalliche nel vano batterie. Sollevarle con delicatezza verificando che la batteria stabilisca un contatto ottimale. Reintrodurre la batteria nel collare ricevitore. Premere il pulsante e verificare che l'indicatore a LED si accenda.

Tabella Funzioni e Risposte

Risposta Indicatore Luminoso	Livello di stimolazione statica	Funzione del collare ricevitore	Temperamento del canes
1 Lampeggio	1	Nessuna stimolazione statica, Solo Tono	
2 Lampeggi	2	Stimolazione statica Bassa	Timido
3 Lampeggi	3	Stimolazione statica Medio-Bassa	Timido o Medio
4 Lampeggi	4	Stimolazione statica Media	Energia Media
5 Lampeggi	5	Stimolazione statica Medio-Alta	Energia Media o Grande
6 Lampeggi	6	Stimolazione statica Alta	Grande Energia
Lampeggia una volta ogni 4 a 5 secondi		Indica Batteria Scarica	

Protezione contro l'eccessiva stimolazione

Se l'animale entra nella zona delimitata o prosegue il suo cammino oltre l'area riservatagli, questa funzionalità limita la stimolazione statica impartita a 30 secondi.

Nell'improbabile eventualità che l'animale abbandoni l'area delimitata, questi non riceverà la stimolazione statica al suo ritorno nell'area riservatagli.

PUNTO 3

Regolazione delle dimensioni dell'area di movimento

Verificate che l'intera area di movimento rientri nei confini della vostra proprietà **(3A)**. Cominciate sempre determinando la zona di delimitazione alla minima distanza dal trasmettitore. Posizionate l'Interruttore su "high" se la zona di delimitazione deve trovarsi a più di 13,5 m dal trasmettitore. Posizionate l'Interruttore Limite su "Low" se la zona di delimitazione deve trovarsi a meno di 13,5 m dal trasmettitore.

Verificare che la batteria del collare ricevitore sia correttamente installata, con il livello di stimolazione statica impostato su 2 o su un livello superiore e che i contatti cercafase della chiave multiuso tocchino i contatti **(3B)**.

Nota: se il vicino dispone di un sistema di recinzione interrato, vedere la sezione Ricerca Guasti a pagina 115.

Istruzioni relative alla chiave multiuso

1. Impostare il livello di correzione su 2 o superiore.
2. Appoggiare i contatti della chiave multiuso sui punti di contatto.
3. Camminare in direzione della zona delimitata afferrando il collare ricevitore all'altezza del collo del cane finché la spia della chiave non inizia a lampeggiare.

Conservare la chiave multiuso per successive prove.

Nota: se la chiave multiuso non lampeggia, sostituire la batteria con una nuova e riprovare. Se la luce di prova ancora non lampeggia, contattare il Centro di Assistenza Clienti o visitare il nostro sito web: www.petsafe.net.

Per estendere al massimo l'area delimitata, verificare che l'interruttore sia impostato su "High" (Alto) e il quadrante di controllo zona di delimitazione sia regolato su "8". Collegare l'adattatore di corrente allo spinotto di alimentazione e a una presa standard.

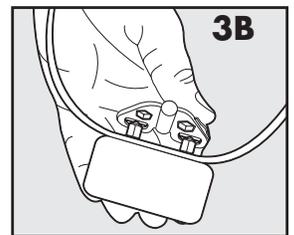
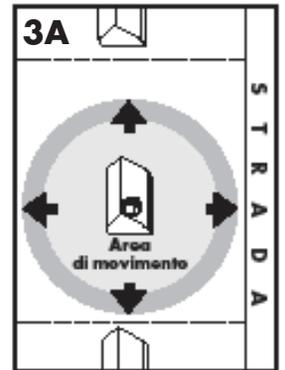
Metodo delle due persone

Tenete il collare ricevitore all'altezza del collo del vostro animale **(3C)** con il logo rivolto verso il lato opposto al trasmettitore. Camminate fino al limite dell'area di movimento desiderata. Rivolti in direzione opposta rispetto al trasmettitore, tenete il collare ricevitore al limite dell'area di movimento **(3D)** desiderata.

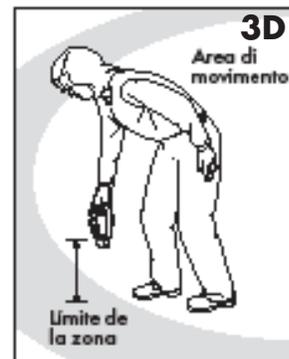
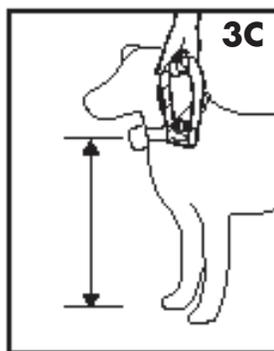
Partendo con il Selettore di regolazione limite impostato su "8", fate ruotare LENTAMENTE il selettore verso il basso da una seconda persona. Quando il collare ricevitore comincia ad emettere un bip, dite alla seconda persona di smettere di girare il Selettore di regolazione limite. Registrate le impostazioni a seguire a titolo di riferimento.

Metodo della persona singola

Misurare la distanza più breve dal perimetro della zona delimitata al trasmettitore. Verificare la distanza sul prospetto delle ampiezze di campo del trasmettitore a Page 105 e impostare l'interruttore di zona di delimitazione e il quadrante di controllo zona di delimitazione. Appoggiare i contatti della chiave multiuso sui punti di contatto **(3B)**. Avvicinare il collare ricevitore al perimetro della



zona delimitata con il lato con il logo rivolto in direzione opposta al trasmettitore e con i contatti rivolti in alto (3C). Afferrare il collare ricevitore all'altezza del collo del cane (3D) finché il collare non emette il segnale acustico e la spia della chiave non inizia a lampeggiare. Se il collare ricevitore emette un segnale acustico prima o dopo la zona delimitata, tornare al trasmettitore e regolare il quadrante di controllo zona di delimitazione. Ripetere la procedura finché il collare non emette il segnale acustico nella posizione desiderata. Registrare le impostazioni a pagina 105 per farvi riferimento in futuro.



EN

FR

NL

ES

IT

DE

Grafico area di copertura del trasmettitore

(N.B.: Le distanze riportate sono approssimative.)

Posizione Selettore Regolazione Limite	Interruttore Limite LOW	Interruttore Limite HIGH
1	1,5 m a 3 m	1,5 m a 3 m
2	1,5 m a 3 m	1,5 m a 3 m
3	4,5 m a 6 m	7,5 m a 12 m
4	6 m a 7,5 m	12,5 m a 16,5 m
5	7,5 m a 9 m	16,5 m a 19,5 m
6	10,5 m a 12 m	23 m a 26 m
7	12 m a 13,5 m	26 m a 27,5 m
8	12 m a 13,5 m	26 m a 27,5 m

Registrate le vostre impostazioni

	Impostazione finale Interruttore limite (HIGH o LOW)	Posizione finale selettore regolazione limite (1-8)	Livello stimolazione statica ricevitore (1-6)
Casa			
Campeggio			
Vacanza			
Altro			

PUNTO 4

Posizionamento delle bandierine di zona di delimitazione

Le bandierine di zona di delimitazione sono punti di riferimento visivi che segnalano al vostro animale dove comincia la zona di delimitazione. Il collare ricevitore si attiverà entro 0,6 m e 1 m dalle bandierine di zona di delimitazione.

1. Utilizzando la spia della chiave di prova con il livello di stimolazione statica impostato su un valore pari o superiore a 2, afferrare il collare ricevitore all'altezza del collo dell'animale con il logo PetSafe® rivolto in direzione opposta a quella del trasmettitore.
2. Camminare in direzione del perimetro della zona delimitata finché il collare ricevitore non emette un segnale acustico e la spia della chiave di prova non inizia a lampeggiare (4A).
3. Piantate una bandierina di zona di delimitazione nel terreno (4B).
4. Ritornate nell'area di movimento fino a quando il bip si interromperà.
5. Ripetete questa procedura intorno alla zona di delimitazione fino a quando risulterà delimitata con le bandierine ogni 3 m.



Le bandierine di zona di delimitazione possono trovarsi in punti differenti della zona di delimitazione, anche non allineate. La zona di delimitazione presenta una larghezza compresa fra 0,6 m e 1 m.

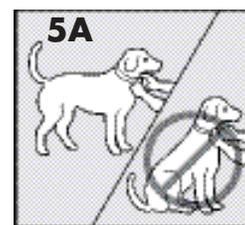
PUNTO 5

Posizionamento del collare ricevitore

Importante: Il corretto posizionamento del collare ricevitore è fondamentale per un addestramento efficace. I punti di contatto devono essere direttamente a contatto con la pelle del cane nella parte inferiore del collo.

Per assicurare un posizionamento adeguato, procedete come segue:

1. Assicuratevi che la batteria non sia inserita nel collare ricevitore.
2. Fate assumere al cane una comoda posizione eretta (5A).
3. Per sentire bene il segnale acustico, posizionate il collare ricevitore con il lato del logo del Ricevitore verso l'alto.
4. Centrate i punti di contatto sotto il collo del cane a contatto con la pelle. Se il pelo è lungo o spesso, utilizzate i punti di contatto lunghi.



ATTENZIONE

Può essere necessario accorciare il pelo nell'area dei punti di contatto. Non rasare mai il collo del cane per non provocare arrossamenti o infezioni.

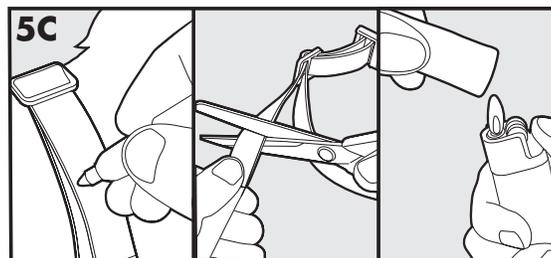
5. Controllate il corretto posizionamento del collare ricevitore inserendo un dito fra l'estremità finale di un Punto di Contatto ed il collo del cane. Il collare deve essere aderente ma non eccessivamente stretto (**5B**).

6. Lasciate indossare il collare ricevitore al cane per qualche minuto, ricontrollate quindi nuovamente l'aderenza mano a mano che il cane si sentirà a proprio agio con il collare ricevitore.

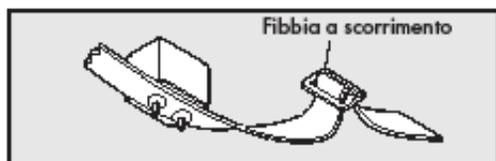
7. Regolate il collare come segue (**5C**):

- Contrassegnate la lunghezza desiderata del collare ricevitore con una penna. Tenere il collare un po' più lungo se il cane è piccolo o se in inverno ha un pelo più folto.
- Togliete il collare ricevitore e tagliate la lunghezza in eccesso.
- Prima di rimettere il collare ricevitore al cane, sigillate il bordo del collare tagliato utilizzando un accendino.

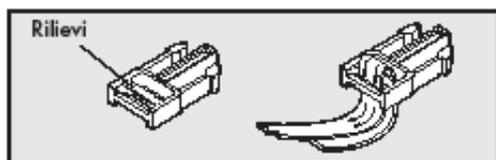
8. Introdurre la batteria nel collare ricevitore.



To Re-Thread the Collar



La fibbia laterale impedisce al collare di allentarsi.

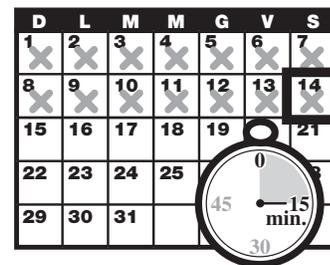


Gli attacchi devono essere rivolti verso l'alto. Il collare scivolerà se non è regolato correttamente.



Siate pazienti con il vostro animale

Importante: Un corretto addestramento del vostro animale è essenziale per il successo del Sistema antifuga senza fili Wireless Pet Containment System™. Leggete attentamente la presente sezione prima di cominciare l'addestramento. Ricordate che il Sistema antifuga senza fili Wireless Pet Containment System™ non è una barriera solida.



- Divertitevi con il vostro animale durante l'intero processo di addestramento. L'addestramento deve essere divertente, leale, fermo e coerente.
- L'addestramento deve durare da 10 a 15 minuti per volta. Non pretendete di fare troppo in poco tempo. Sessioni di addestramento brevi ma frequenti sono meglio di sessioni lunghe e più distanziate nel tempo.
- Sugeriamo un minimo di 14 giorni di addestramento. A seconda del temperamento del vostro animale e della sua velocità di apprendimento, l'addestramento potrebbe richiedere più o meno tempo.
- Se il vostro animale mostra segni di stress, rallentate il programma di addestramento, aggiungete ulteriori giorni di addestramento oppure aumentate il tempo di gioco con il vostro animale nell'area di movimento. I più comuni segnali di stress comprendono:
 - L'animale al guinzaglio tira verso casa
 - Orecchie piegate
 - Coda bassa
 - Corpo appiattito
 - Movimento nervoso/frenetico o irrigidimento del corpo dell'animale
- Alla fine di ogni sessione di addestramento l'animale deve trovarsi completamente a proprio agio vicino alle bandierine di zona di delimitazione. Al termine di ogni sessione trascorrete almeno 5 minuti giocando con il vostro animale entro una distanza di 3 metri dalle bandierine di zona di delimitazione.
- Finite positivamente ogni sessione di addestramento con lodi e giochi.
- Rimuovete il collare ricevitore dopo ogni sessione di addestramento.
- Assicurate un altro contenimento del vostro animale durante il periodo di addestramento.
- Durante l'addestramento, se dovete portare l'animale fuori dall'area di movimento, rimuovete il collare ricevitore e prendete in braccio il vostro animale oppure mettetelo in auto per uscire dall'area di movimento.
- Anche se ritenete che il vostro animale stia rispondendo bene all'addestramento, portatelo completamente a termine. Il rafforzamento è un aspetto importante!

FASE 1

Giorno 1 – Consapevolezza delle bandierine di zona di delimitazione

Eseguite tre sessioni nel giorno 1, ogni sessione della durata di 10 a 15 minuti.

Obiettivo:

Il vostro animale deve imparare che le bandierine di zona di delimitazione ed il bip di avvertimento proveniente dal collare ricevitore definiscono la nuova area di movimento.

Impostazione:

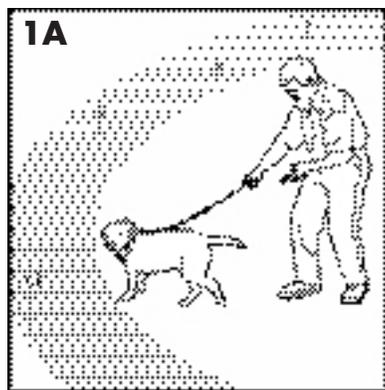
- Impostare il livello di stimolazione statica del collare ricevitore sul livello 1: modo di addestramento per segnale acustico solo.
- Fate indossare al vostro animale un collare non metallico separato SOPRA il collare ricevitore ed agganciatevi un guinzaglio.

ATTENZIONE Assicuratevi che il collare aggiuntivo non eserciti pressione sui punti di contatto.

- Tenete a portata di mano piccoli bocconi graditi al vostro animale.
- Tenete a portata di mano il giocattolo preferito del vostro animale.

Fasi:

1. Avviarsi con il cane al guinzaglio nella zona autorizzata. Lodare l'animale e parlargli con calma.
2. Avvicinarsi alle bandierine (**1A**). Mantenere un umore allegro.
3. Avanzare verso le bandierine con il cane perfettamente sotto controllo al guinzaglio. Appena l'animale varca la zona delimitata, il collare ricevitore inizia ad emettere un segnale acustico (**1B**). Lasciarlo nella zona perimetrale delimitata fino a 2 secondi, quindi tirarlo delicatamente verso la zona autorizzata (**1C**). Appena il cane rientra nella zona autorizzata, lodarlo e dargli un bocconcino anche nel caso in cui sia stato necessario guidarlo con il guinzaglio.
4. Ripetere la procedura presso la stessa bandierina finché l'animale non oppone resistenza a varcare il perimetro della zona delimitata.
5. Puntare alla padronanza di 3 a 4 bandierine per sessione. Fare in modo che sia DIVERTENTE! Lodare l'animale se si ritira subito o se oppone resistenza a varcare il perimetro della zona delimitata.



FASE 2

Giorni da 2 a 4 – Rafforzamento della consapevolezza delle bandierine di zona di delimitazione

Eseguite tre sessioni al giorno, ciascuna della durata di 10 a 15 minuti.

Obiettivo:

Addestrare il vostro animale a restare nell'area di movimento e a rispettare il limite mentre voi vi trovate al suo esterno.

Impostazione:

- Impostare il livello di stimolazione statica del collare ricevitore sul livello 2.
- Fate indossare al vostro animale un collare non metallico separato SOPRA il collare ricevitore ed agganciatevi un guinzaglio.

ATTENZIONE Assicuratevi che il collare aggiuntivo non eserciti pressione sui punti di contatto.

- Tenete a portata di mano piccoli bocconi graditi al vostro animale.
- Tenete a portata di mano il giocattolo preferito del vostro animale.

Fasi:

1. Ripetere il procedimento descritto ai punti 1 a 5 della Fase 1.
2. Se l'animale non risponde alla stimolazione statica, verificare che il collare ricevitore aderisca correttamente conformemente a quanto specificato al passaggio 5 di pagina 106.
3. Se il collare ricevitore aderisce correttamente e l'animale non risponde alla stimolazione statica, aumentare la stimolazione di 1 livello. Osservare prima se l'animale ha leggere reazioni: se raddrizza le orecchie, volta la testa o guarda il suolo.
4. Restare presso la stessa bandierina finché l'animale non oppone resistenza a varcare il perimetro della zona delimitata.

FASE 3

Giorni da 5 a 8 – Fase di distrazione

Eseguite tre sessioni al giorno, ciascuna della durata di 10 a 15 minuti.

Obiettivo:

Addestrate il vostro animale a restare nell'area di movimento anche in presenza di distrazioni fuori dall'area di movimento.

Impostazione:

- Impostare il livello di stimolazione statica del collare ricevitore sul livello 2 o un nivel più alto in base alla reazione del cane dal giorno 2 al giorno 4.
- Fate indossare al vostro animale un collare non metallico separato SOPRA il collare ricevitore ed agganciate un guinzaglio.

ATTENZIONE

Assicuratevi che il collare aggiuntivo non eserciti pressione sui punti di contatto.

- Tenete a portata di mano piccoli bocconi graditi al vostro animale (wurstel o avanzi di carne funzionano ottimamente).
- Tenete a portata di mano il giocattolo preferito del vostro animale.
- Create distrazioni per invogliare il vostro animale ad entrare nella zona di delimitazione, ad esempio:
 - Fate in modo che un membro della vostra famiglia esca camminando dall'area di movimento.
 - Lanciate una pallina fuori dall'area di movimento.
 - Chiedete ad un vostro vicino di far passeggiare il suo cane fuori dall'area di movimento.
- Aumentare gradualmente il livello di distrazione. **Non attrarre né chiamare mai l'animale fuori dall'area consentita.**

Fasi:

1. Con il pieno controllo del vostro animale al guinzaglio, presentategli la distrazione.
2. Se il vostro animale non si muove verso la distrazione, lodatelo ed offritegli un boccone di ricompensa.
3. Se il vostro animale reagisce alla distrazione, consentitegli di entrare nella zona di delimitazione.
4. Aiutate il vostro animale a rientrare nell'area di movimento se non rientra dopo 3 secondi.
5. Lodate e premiate il vostro animale ogni volta che rientra nell'area di movimento, con o senza aiuto.
6. Ripetete questa procedura con altre distrazioni, utilizzando altri membri della famiglia.
7. Se il vostro animale non dimostra sentire la stimolazione statica, verificate che il collare ricevitore sia posizionato in modo adeguato (far riferimento alla pagina 106, punto 5).
8. Se, dopo aver verificato che il collare ricevitore è posizionato adeguatamente, il vostro animale continua a non mostrare alcuna reazione alla stimolazione statica passate al livello successivo.

FASE 4

Giorni da 9 a 14 – Supervisione senza guinzaglio

Le sessioni di addestramento dovrebbero partire con una durata di 10 a 15 minuti, per aumentare gradualmente fino ad oltre un'ora.

Il vostro animale sarà pronto per questa fase soltanto quando eviterà chiaramente l'intera zona di delimitazione, indipendentemente da distrazioni o tentazioni. Durante questa fase non lasciate mai il vostro cane da solo.

Obiettivo:

Lasciate correre liberamente il vostro cane nell'area di movimento.

Impostazione:

Regolate il collare ricevitore sull'impostazione permanente appropriata per il vostro animale, in base

EN

FR

NL

ES

IT

DE

alla sua taglia e al suo temperamento.

Fasi:

1. Entrate nell'area di movimento con il vostro animale, dopo avergli fatto indossare il collare ricevitore.
2. Camminate nel giardino e giocate con il vostro animale, restando sempre entro i limiti dell'Area di movimento.
3. Occupatevi di qualcos'altro in giardino, tenendo sempre d'occhio il vostro animale.
4. Se il vostro animale dovesse scappare, toglietegli il collare ricevitore oppure spegnete il sistema dal trasmettitore e riconducetelo nell'area di movimento.

FASE 5

Giorno da 15 a 30 - Monitoraggio dell'animale

A questo punto è possibile lasciare libero l'animale. Controllarlo ad intervalli regolari.

Nota: dopo aver verificato la completezza dell'addestramento dell'animale, rimuovere progressivamente le bandierine ad intervalli di 4 giorni fino ad eliminarle tutte. Conservare le bandierine per utilizzarle in futuro.

Far uscire il cane dall'area riservata

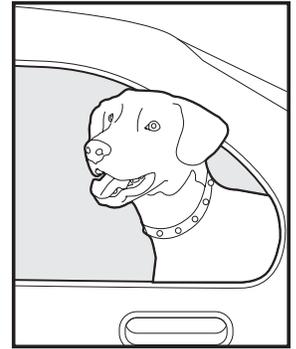
Importante: Togliete il collare ricevitore e lasciatelo nell'Area Riservata.

Una volta che il cane ha imparato la zona di delimitazione, sarà riluttante ad attraversarla per passeggiare o correre.

Opzione 1: Sostituite il collare ricevitore con un normale collare. Fate salire il cane in un'auto all'interno dell'Area Riservata e portatelo fuori dall'Area Riservata.

Opzione 2: Sostituite il collare ricevitore con un normale collare e guinzaglio. Fate uscire il cane dall'Area Riservata dando un comando come "Va Bene" in un punto ben determinato della zona di delimitazione (la fine della strada, sentiero, ecc.). Fate uscire il cane dall'Area Riservata sempre al guinzaglio in modo che associ l'uscita dall'Area Riservata solo al guinzaglio, in quel punto e solo con una persona. Inizialmente, è possibile che dobbiate convincere il cane ad uscire dall'Area Riservata mostrandogli del cibo o lodandolo molto.

N.B.: Potete anche trasportare il cane fuori dall'Area Riservata.



Sistema portatile senza fili

Il vostro Sistema antifuga senza fili Wireless Pet Containment System™ è completamente portatile. Seguite le procedure di impostazione (fasi da 1 a 4) ogni volta che desiderate un contenimento per il vostro animale. Ricreate l'area di movimento e contrassegnatela con le bandierine di zona di delimitazione, in modo tale che il vostro animale riconosca la sua zona di delimitazione. N.B.: Se l'impostazione viene eseguita dall'interno di una struttura metallica o di un veicolo, le dimensioni massime dell'area di movimento possono subire una riduzione. Assicuratevi di rimuovere la batteria

del collare ricevitore prima di spegnere il trasmettitore. Se desiderate azionare il trasmettitore da una vettura o da un'altra sorgente di corrente continua, utilizzate un invertitore con una taratura minima di 50 watt.

Accessori

Per acquistare ulteriori accessori per il Sistema antifuga senza fili Wireless Pet Containment System™, contattare il Centro di assistenza clienti o visitare il nostro sito per trovare il rivenditore più vicino. Per un elenco dei Centri di assistenza della propria zona, visitare www.petsafe.net.

Domande più frequenti

<p>Quanto tempo deve avere il mio animale prima di iniziare l'addestramento con il Sistema antifuga senza fili Wireless Pet Containment System™?</p>	<ul style="list-style-type: none"> • Poiché tutti gli animali sono diversi, l'addestramento con questo sistema può iniziare quando l'animale può imparare ad obbedire ad alcuni comandi di base come "seduto" o "fermo". Il sistema deve essere usato solo con animali di età superiore a 6 mesi. Se l'animale è ferito o ha delle difficoltà di movimento, prima di utilizzare il collare consultare il veterinario o un addestratore professionale..
<p>Il collare ricevitore è impermeabile?</p>	<ul style="list-style-type: none"> • Sì. Quando cambiate la batteria, assicuratevi di ripulire il vano batteria da sporco e residui.
<p>Il Sistema antifuga senza fili Wireless Pet Containment System™ copre un'area circolare di diametro superiore a 55 m?</p>	<ul style="list-style-type: none"> • E' possibile utilizzare un altro Radiotrasmettitore con limiti sovrapposti di almeno 2 m a 3 m per ottenere un'area di movimento più estesa.
<p>Un giardino in discesa influisce sull'Area di movimento?</p>	<ul style="list-style-type: none"> • Il segnale del trasmettitore si estende per 27,5 m in tutte le direzioni. Un giardino in discesa può far sembrare l'area di movimento più o meno estesa del previsto. E' consigliabile riposizionare il trasmettitore per massimizzare l'estensione dell'area di movimento.
<p>Posso utilizzare più di un collare ricevitore con il Sistema Wireless?</p>	<ul style="list-style-type: none"> • Sì. Non esiste un limite al numero di animali contenibili con il Sistema Wireless. Dovrete acquistare un collare ricevitore aggiuntivo per ogni animale. Contattate il Centro Assistenza Clienti oppure visitate il nostro sito web www.petsafe.net per l'indirizzo del più vicino rivenditore.
<p>Il Sistema Wireless terrà lontani altri animali dal mio giardino?</p>	<ul style="list-style-type: none"> • No. Il Sistema Wireless è efficace soltanto sugli animali che indossano il collare ricevitore.
<p>Esiste un trasmettitore a distanza portatile utilizzabile con il collare ricevitore del Sistema Wireless?</p>	<ul style="list-style-type: none"> • No. E' necessario acquistare un Sistema di Addestramento a Distanza. A tale scopo contattate il Centro Assistenza Clienti oppure visitate il nostro sito web www.petsafe.net per l'indirizzo del più vicino rivenditore.

Esiste un collare ricevitore più piccolo o un altro collare ricevitore compatibile utilizzabile con il Radiotrasmittitore?	<ul style="list-style-type: none"> No. Contattate il Centro Assistenza Clienti oppure visitate il nostro sito web www.petsafe.net per ulteriori idee o soluzioni.
A chi posso rivolgermi per chiarimenti ed assistenza sul mio Sistema Wireless o per reperire ricambi?	<ul style="list-style-type: none"> Contattate il Centro Assistenza Clienti oppure visitate il nostro sito web www.petsafe.net.
Posso utilizzare il Sistema Wireless su un animale aggressivo?	<ul style="list-style-type: none"> Sconsigliamo l'uso di dispositivi di addestramento elettronici su animali aggressivi. In caso di dubbi sull'aggressività del vostro cane consultate il vostro veterinario o un addestratore certificato.
Posso utilizzare il Sistema Wireless su un gatto?	<ul style="list-style-type: none"> Il Sistema Wireless può essere utilizzato su un gatto se l'animale riesce ad indossare comodamente il collare ricevitore.
Cosa accade se viene a mancare l'alimentazione elettrica?	<ul style="list-style-type: none"> Il Sistema Wireless è progettato per riconoscere le interruzioni dell'alimentazione elettrica e si spegne senza attivare il collare ricevitore. Tuttavia, se il vostro animale si trova vicino alla zona di delimitazione durante l'interruzione di corrente, potrà ricevere una stimolazione statica. Per ridurre questa possibilità è possibile ricorrere ad un gruppo di continuità per il trasmettitore nelle aree soggette a frequenti black-out.
Che accade se spengo o scollego l'alimentazione del trasmettitore?	<ul style="list-style-type: none"> Se il cane indossa il collare ricevitore, potrebbe ricevere una correzione involontaria. Togliere sempre il collare ricevitore dal cane prima di scollegare l'alimentazione o eseguire i test del trasmettitore.
Cosa accade se dovessi perdere il coperchio in plastica trasparente del pulsante di regolazione del livello di stimolazione?	<ul style="list-style-type: none"> Il coperchio in plastica trasparente impedisce modifiche accidentali del Livello di stimolazione statica e mantiene il Ricevitore impermeabile. Contattare il Centro Assistenza Clienti per un coperchio di ricambio.
Se il mio animale esce dall'area di movimento, per quanto tempo riceverà una correzione?	<ul style="list-style-type: none"> All'esterno dell'area di movimento, il vostro animale riceverà una stimolazione statica per un massimo di 30 secondi. Il collare ricevitore è dotato di un timer di sicurezza che interrompe la correzione ed il bip di avvertimento dopo 30 secondi, fino al rientro nell'area di movimento.
Con quale frequenza devo sostituire la batteria del collare ricevitore?	<ul style="list-style-type: none"> La durata della batteria dipende dalla frequenza con cui il vostro animale entra nella zona di delimitazione. L'Indicatore Luminoso del Ricevitore funge da indicatore di batteria scarica, lampeggiando ogni 4 a 5 secondi per segnalare la necessità di sostituzione.
Posso posizionare il Ricevitore su un altro collare?	<ul style="list-style-type: none"> Sì, su qualsiasi collare non metallico. Eseguite due fori nel collare per attaccare il Ricevitore. Utilizzate il collare contenuto nel kit come dima per localizzare i fori sul nuovo collare.

<p>Il mio Sistema Wireless richiede manutenzione?</p>	<ul style="list-style-type: none"> • Controllate giornalmente il collo del vostro animale per eventuali segni di irritazione dovuti ai punti di contatto. • Controllate settimanalmente che i punti di contatto sul collare ricevitore siano correttamente posizionati e puliti. • Controllate settimanalmente l'aderenza del collare ricevitore. • L'Indicatore Luminoso del Ricevitore funge da indicatore di batteria scarica, lampeggiando ogni 4 a 5 secondi per segnalare la necessità di sostituzione.
<p>Come faccio a sapere se la batteria nel collare ricevitore sta ancora funzionando?</p>	<ul style="list-style-type: none"> • Togliete il collare ricevitore dal vostro animale ed entrate camminando nella zona di delimitazione. Il collare ricevitore dovrebbe emettere un bip. In caso contrario sostituite la batteria.
<p>Veicoli, edifici ed elementi del paesaggio (alberi, cespugli, ecc.) influiscono sulla performance del sistema wireless?</p>	<ul style="list-style-type: none"> • Sì. Posizionare il trasmettitore in una struttura metallica può ridurre l'ampiezza massima di campo del sistema wireless. • Parcheggiare un veicolo nell'area autorizzata può ridurre l'ampiezza di campo del sistema e impartire una stimolazione statica all'animale in aree in cui non sarebbe impartita se non vi fosse il veicolo parcheggiato. • Oggetti metallici voluminosi e fissi, quali le tettoie di metallo possono influire sul segnale riducendo l'ampiezza massima di campo del sistema in prossimità dell'oggetto. Di conseguenza, l'animale potrebbe ricevere una stimolazione statica
<p>Cosa devo fare se il collo del mio animale si presenta arrossato ed irritato?</p>	<ul style="list-style-type: none"> • Questa condizione è dovuta ai punti di contatto che irritano la pelle. Sospendete per alcuni giorni l'uso del collare ricevitore. Se la condizione persiste per oltre 48 ore, consultate il vostro veterinario. Una volta che la pelle ritorna normale, riposizionate il collare ricevitore tenendo sotto stretto controllo le condizioni della pelle.
<p>Posso attaccare un guinzaglio al collare ricevitore?</p>	<ul style="list-style-type: none"> • No. Questo potrebbe comportare un'eccessiva pressione dei punti di contatto contro il collo del vostro animale. Attaccate un guinzaglio ad un collare non metallico separato posizionato sopra il collare ricevitore.
<p>Perché il mio collare ricevitore ha una modalità solo bip?</p>	<ul style="list-style-type: none"> • La modalità solo bip può essere utilizzata per addestrare il vostro animale a restare entro la zona di delimitazione oppure per gli animali ben addestrati che non richiedono più una stimolazione statica.

Ricerca Guasti

<p>Il collare ricevitore non emette il segnale acustico durante l'impostazione della zona di delimitazione.</p>	<ul style="list-style-type: none"> • Potrebbe essere difficile sentire il segnale acustico in un ambiente rumoroso. • Installate la Spia di Prova come spiegato nel capitolo "Istruzioni relative alla chiave multiuso" ed utilizzatela per definire la zona di delimitazione. • Controllate che il trasmettitore sia impostato secondo le direzioni ed inserite una nuova batteria nel raggio di 1,5 m a 3 m dal trasmettitore. • Risincronizzare il sistema (pagina 118).
--	---

<p>Il collare ricevitore non emette il segnale acustico né impartisce la stimolazione statica.</p>	<ul style="list-style-type: none"> • Controllate che il trasmettitore sia collegato ad una presa funzionante, che sia acceso, che la Spia di Alimentazione sia su "on" e che i comandi del trasmettitore siano impostati come desiderato. • Controllate la batteria del collare ricevitore per accertarvi che sia inserita correttamente. • Quando sostituite la batteria, fatelo nel raggio di 1,5 m a 3 m dal trasmettitore. • Risincronizzare il sistema (pagina 118).
<p>Il collare ricevitore emette il segnale acustico ovunque.</p>	<ul style="list-style-type: none"> • Controllate che il trasmettitore sia collegato ad una presa funzionante, che sia acceso, che la Spia di Alimentazione sia su "on" e che i comandi del trasmettitore siano impostati come desiderato. • Controllate che il collare ricevitore si trovi nel raggio di 1,5 m a 3 m dal trasmettitore per reimpostarlo. • Risincronizzare il sistema (pagina 118).
<p>Il collare ricevitore emette il segnale acustico in casa.</p>	<ul style="list-style-type: none"> • Controllate che il trasmettitore sia acceso ed impostato secondo le direzioni. • Assicuratevi che la casa sia all'interno della Zona Riservata. È possibile che dobbiate spostare il trasmettitore per regolare la Zona Riservata includendo tutta la casa. • Se spostate il trasmettitore, togliete il collare ricevitore dal cane prima di disattivare il trasmettitore. • Risincronizzare il sistema (pagina 118).
<p>Il mio animale riceve una stimolazione statica nel suo trasportino/box metallico.</p>	<ul style="list-style-type: none"> • Il collare ricevitore si attiva quando perde il segnale del trasmettitore. Il trasportino/box metallico potrebbe bloccare il segnale del trasmettitore causando l'attivazione accidentale del collare ricevitore. • Rimuovere il collare ricevitore dal cane prima che entri nel trasportino/box.
<p>La zona di delimitazione sembra fluttuare.</p>	<ul style="list-style-type: none"> • Si tratta di un fatto normale per il campo elettromagnetico del Sistema Wireless. Il campo può essere infatti disturbato da interferenze elettroniche circostanti, che possono farlo fluttuare fino al 5%. • Il punto di attivazione del collare ricevitore dipende dalla velocità dell'animale e dall'orientamento del collare ricevitore nel momento di ingresso nella zona di delimitazione.
<p>Il collare ricevitore si attiva in mezzo al cortile.</p>	<ul style="list-style-type: none"> • Il collare ricevitore si attiva quando perde il segnale del trasmettitore. Questo può verificarsi se un grande oggetto metallico si trova fra il collare ricevitore ed il trasmettitore, se l'orientamento del collare ricevitore cambia vicino alla zona di delimitazione o se il "rumore elettronico" circostante interferisce con il segnale. Se questo continua a verificarsi, riposizionate il trasmettitore reimpostando l'Area Riservata. • Risincronizzare il sistema (pagina 118).

<p>Il collare ricevitore emette il segnale acustico ma il cane non risponde alla stimolazione statica.</p>	<ul style="list-style-type: none"> • Assicuratevi che il Livello di stimolazione statica sia impostato su 2 o livello superiore. • Testate il collare ricevitore con la Spia di Prova. • Se la Spia di Prova lampeggia, controllate che il collare ricevitore sia posizionato correttamente. • Tagliate il pelo del cane dove i punti di contatto toccano il collo e/o utilizzate i punti di contatto più lunghi. • Aumentate il Livello di stimolazione statica. • Ripetete la fase di addestramento per una maggiore efficacia.
<p>Il cane reagisce molto alla stimolazione statica diventando pauroso.</p>	<ul style="list-style-type: none"> • Abbassate il Livello di stimolazione statica. • Assicuratevi di avere la situazione sotto controllo quando il cane riceve le prime Correzioni Statiche (tenetelo al guinzaglio attaccato ad un collare separato non in metallo) e dirigetelo verso la Zona Riservata lodandolo. Se il cane rimane pauroso, sospendete l'addestramento e riprendete il giorno dopo. Assicuratevi di concludere sempre l'addestramento positivamente lodando il cane e giocando.
<p>L'Indicatore di Accensione è spento.</p>	<ul style="list-style-type: none"> • Verificate che l'Interruttore On/Off del trasmettitore sia acceso e che l'Adattatore di corrente sia inserito nel trasmettitore e in una presa standard.
<p>Stavo impostando l'Area Riservata e dopo aver abbassato il Selettore di Controllo della zona di delimitazione, il collare ricevitore non emette più il segnale acustico o non corregge.</p>	<ul style="list-style-type: none"> • È possibile che abbiate abbassato il Selettore di Controllo zona di delimitazione troppo rapidamente per cui il collare ricevitore non riceve alimentazione. Si tratta di una misura di sicurezza studiata per proteggere il cane quando l'alimentazione del trasmettitore aumenta. Tenendo il collare ricevitore nel raggio di 1,5 m a 3 m dal trasmettitore girate il Selettore di Controllo zona di delimitazione su "8" e reimpostate la zona di delimitazione, assicurandovi di abbassare il selettore lentamente.
<p>Il mio vicino dispone di un sistema di recinzione interrato e il collare ricevitore non si attiva in prossimità della sua proprietà.</p>	<ul style="list-style-type: none"> • Il segnale del sistema di recinzione interrato del vicino potrebbe interferire con il funzionamento del collare ricevitore impedendone l'attivazione in prossimità della recinzione. Per ridurre al minimo l'interferenza, ridurre l'ampiezza dell'area autorizzata o allontanare il trasmettitore dal sistema di recinzione interrato. • Regolare l'ampiezza dell'area autorizzata affinché il collare ricevitore sia attivo per almeno 1,5 m oltre l'impostazione ridotta dell'area delimitata in direzione della recinzione interrata.

Il collare ricevitore ha ferito il collo del cane.

La mancata osservanza delle importanti informazioni sulla sicurezza presenti nella parte iniziale di questo manuale ha avuto come conseguenza l'apparizione di ulcere da contatto. In base ad alcune descrizioni, le ulcere da pressione presenti sul collo del cane assomigliano a ustioni. Accertarsi che il collare non utilizzi un'energia tale da creare ustioni elettriche. L'energia è un impulso in uscita di qualche millesimo di Joule. È simile alla "scossa" elettrostatica che si riceve uscendo dall'auto. In alcuni casi le ulcere da pressione vengono descritte come ustioni chimiche. La batteria RFA-67D-11 è sigillata al momento di installarla nel vano del collare ricevitore. Tale prerogativa rende praticamente impossibile, se non è utilizzata in modo improprio o con negligenza, che si verifichino perdite dalla batteria del collare ricevitore sul collo del cane. Si prega di leggere attentamente e di osservare le importanti informazioni sulla sicurezza di pagina 96 e le istruzioni del passaggio 5, sotto il titolo "Posizionamento del collare ricevitore".

Risincronizzare il sistema

1. Rimuovere il collare ricevitore dal cane.
2. Rimuovere la batteria dal collare ricevitore. Scaricare l'intera potenza tenendo premuto il pulsante di regolazione del livello di stimolazione finché il LED non si spegne.
3. In prossimità del trasmettitore, spostare l'interruttore di zona di delimitazione da "Alto" a "Basso".
4. Regolare lentamente il quadrante di controllo zona di delimitazione in alto su 8 e in basso su 1, quindi nuovamente sulla posizione n° 4.
5. A distanza di 1,5 m a 3 m dal trasmettitore, reinserire la batteria nel collare ricevitore.
6. Verificare il funzionamento perimetrale dell'area delimitata entrando nell'area autorizzata finché il collare ricevitore risponde. Con il trasmettitore impostato su 4, dovrebbe attivarsi a 12 m a 15 m di distanza.

Una volta ottenuta la certezza che il sistema funzioni, reimpostare i controlli del trasmettitore sulle impostazioni di partenza.



Smaltimento della batteria

Il dispositivo utilizza una sola batteria al litio da 6 V con una capacità di 240 mAh. Sostituire solo con una batteria equivalente che può essere ordinata tramite il Centri di assistenza clienti. Per trovare l'elenco dei numeri di telefono dei Centri di assistenza clienti della propria zona, visitare il sito web www.petsafe.net. In molti paesi è obbligatorio raccogliere separatamente le batterie esaurite; controllare le norme in vigore nella propria zona prima di smaltire le batterie esaurite. Per le istruzioni su come rimuovere la batteria dal prodotto per smaltirla separatamente, vedere a pagina 102.



Consiglio importante per il riciclaggio

Rispettare le normative per lo smaltimento delle apparecchiature elettriche ed elettroniche del proprio paese. Questo apparecchio deve essere riciclato. Se non fosse più necessario, non immetterlo nel normale sistema di smaltimento dei rifiuti urbani. Riportarlo al negozio dove è stato acquistato perché sia inserito nel nostro sistema di riciclaggio. Se ciò non fosse possibile, rivolgersi al Centro di assistenza clienti per ulteriori informazioni.

Conformità

CE - Europa

Il sistema è stato collaudato ed è risultato conforme alla Direttiva europea sulla R&TTE. Prima di utilizzare questa apparecchiatura al di fuori dei paesi dell'UE, verificare presso la locale autorità R&TTE. Variazioni o modifiche all'apparecchiatura non approvate da Radio Systems Corporation possono violare le disposizioni europee R&TTE, possono annullare il diritto dell'utilizzatore a usare l'apparecchiatura e rendere nulla la garanzia.

Con il presente documento Radio Systems Corporation, dichiara che questo sistema PIF-300-21 Sistema antifuga senza fili Wireless Pet Containment System™ è conforme ai requisiti essenziali e relative disposizioni della Direttiva 1999/5/CE. La dichiarazione di conformità è disponibile sul sito web: http://www.petsafe.net/customer-care/eu_docs.php.

IC- Canada

Questo dispositivo è conforme agli standard "Industry Canada license-exempt RSS". Il funzionamento è soggetto alle due condizioni che seguono: (1) il dispositivo non deve provocare interferenze; e (2) il dispositivo deve essere in grado di tollerare le interferenze, comprese quelle che potrebbero provocare problemi di funzionamento.

ACMA- Australia

Il dispositivo è conforme ai requisiti EMC in vigore specificati dalla ACMA (Australian Communications and Media Authority).

Condizioni di Utilizzo e Limitazione della Responsabilità

1. Condizioni di Utilizzo

Questo Prodotto è offerto soggetto alla vostra accettazione incondizionata dei termini, delle condizioni e delle modifiche contenuti nel presente. L'uso di questo Prodotto implica l'accettazione di tutti questi termini, condizioni ed avvertenze.

2. Utilizzo Appropriato

Questo Prodotto è destinato all'addestramento di cani. Il temperamento specifico del vostro cane potrebbe non essere compatibile con questo Prodotto. In caso di dubbi circa l'idoneità del Prodotto, consultate il veterinario o un addestratore qualificato.

3. Nessun Utilizzo Illegale o Vietato

Questo Prodotto è destinato esclusivamente all'uso su cani. Questo dispositivo per l'addestramento di cani non ha scopo di lesione, danno o provocazione. L'utilizzo improprio di questo Prodotto può comportare la violazione di leggi federali, statali o locali.

4. Limitazione di Responsabilità

Radio Systems Corporation declina ogni responsabilità per danni diretti, indiretti, punitivi, incidentali speciali o consequenziali o per danni di qualsiasi natura derivanti da o in associazione all'uso o all'abuso di questo Prodotto. L'acquirente si assume tutti i rischi e le responsabilità derivanti dall'uso di questo Prodotto.

5. Variazione dei Termini e delle Condizioni

Radio Systems Corporation si riserva il diritto di modificare i termini, condizioni ed avvertenze associate all'offerta di questo Prodotto.

WICHTIGE SICHERHEITSINFORMATION

Erklärung der in diesem Führer verwendeten Warnhinweise und Symbole



Das ist das Sicherheitswarnsymbol. Es wird verwendet, um Sie auf mögliche persönliche Verletzungsgefahren hinzuweisen. Befolgen Sie alle Sicherheitsmeldungen nach diesem Symbol, um mögliche Verletzungen oder den Tod zu vermeiden.

⚠ WARNUNG

WARNUNG weist auf eine gefährliche Situation hin, die zum Tod oder zu einer ernsthaften Verletzung führen kann, wenn sie nicht vermieden wird.

VORSICHT

VORSICHT ohne das Sicherheitswarnsymbol weist es auf eine gefährliche Situation hin, die Ihrem Haustier Schaden zufügen kann, wenn sie nicht vermieden wird.

HINWEIS

HINWEIS wird zur Besprechung der Praxis verwendet, die nicht in Zusammenhang mit einer persönlichen Verletzung steht.

⚠ WARNUNG

- Nicht zur Verwendung bei aggressiven Hunden. Dieses Produkt nicht verwenden, wenn Ihr Hund aggressiv ist oder Ihr Hund zu aggressivem Verhalten tendiert. Aggressive Hunde können ihren Besitzern und anderen Personen schwere Verletzungen zufügen und sie töten. Wenn Sie nicht sicher sind, ob dieses Produkt für Ihr Haustier angemessen ist, konsultieren Sie bitte Ihren Tierarzt oder einen zertifizierten Trainer.
- Elektroschockrisiko. Verwenden Sie das Sendegerät im Haus nur in einer trockenen Lage.

VORSICHT

- Dieses System ist KEINE solide Barriere. Dieses Kit ist als Abwehrsystem konzipiert, damit Haustiere über die Statische Stimulation daran erinnert werden, innerhalb der Eingrenzung zu bleiben. Es ist wichtig, dass Sie das Training mit Ihrem Haustier in regelmäßigen Abständen wiederholen. Da die Toleranzstufe für Statische Stimulation von Haustier zu Haustier unterschiedlich ist, kann Radio Systems Corporation NICHT garantieren, dass das System ein Haustier in allen Fällen in der etablierten Eingrenzung hält. Es können nicht alle Haustiere dazu trainiert werden, die Eingrenzung nicht zu überschreiten! Wenn Sie daher Gründe zur Annahme haben, dass Ihr Haustier eine Gefahr für andere darstellt oder sich selbst Schaden zufügen könnte, wenn es nicht am Verlassen gehindert wird, sollten Sie sich NICHT allein darauf verlassen, dass dieses System ihr Haustier sicher eingrenzt. Die Radio Systems Corporation übernimmt KEINE Haftung für Sachschäden, wirtschaftliche Verluste oder Folgeschäden, die auftreten, da ein Tier die Eingrenzung überquert.
- Es ist wichtig, dass das Halsband richtig passt. Wird ein Halsband zu lange oder zu eng am Hals des Haustiers getragen, kann dies Hautschäden nach sich ziehen. Das können Rötungen bis hin zu Druckgeschwüren sein; diese Beschwerden sind im Allgemeinen als Drucknekrose bekannt.
 - Das Haustier sollte das Halsband nicht länger als 12 Stunden am Tag tragen.
 - Das Halsband nach Möglichkeit am Nacken des Haustiers alle 1 bis 2 Stunden umpositionieren.
 - Prüfen Sie den Sitz, um übermäßigen Druck zu verhindern; befolgen Sie die Anleitungen in diesem Handbuch.
 - Legen Sie am elektronischen Halsband nie eine Leine an; das übt zu viel Druck auf die Kontakte aus.
 - Wenn Sie für eine Leine ein separates Halsband verwenden, keinen Druck auf das elektronische Halsband ausüben.
 - Waschen Sie den Nackenbereich des Hundes und die Kontakte am Halsband wöchentlich mit einem feuchten Tuch ab.
 - Untersuchen Sie den Kontaktbereich täglich auf Anzeichen von Ausschlag und Wundstellen.
 - Wird Hautausschlag oder eine Wundstelle vorgefunden, das Empfängerhalsband nicht verwenden, bis die Haut geheilt ist.
 - Wenn der Zustand länger als 48 Stunden lang anhält, Ihren Tierarzt zu Rate ziehen.
 - Für weitere Informationen über Druckgeschwüre und Drucknekrose besuchen Sie bitte unsere Website.

VORSICHT

Diese Schritte helfen, Ihr Haustier sicher und komfortabel zu halten. Für Millionen von Haustieren ist das Tragen von Edelstahlkontakten bequem. Einige Haustiere reagieren sensibel auf Druckkontakt. Sie stellen vielleicht fest, dass Ihr Haustier das Halsband sehr gut toleriert. Ist das der Fall, können Sie einige dieser Vorsichtsmaßnahmen etwas weniger strikt einhalten. Es ist wichtig, den Kontaktbereich weiterhin täglich zu prüfen. Wenn Sie Rötungen oder Wundstellen vorfinden, die Verwendung absetzen, bis die Haut vollständig geheilt ist.

- Sie müssen eventuell das Haar im Bereich der Kontaktpunkte kürzen. Rasieren Sie nie den Nacken des Hundes; das kann einen Ausschlag oder eine Infektion hervorrufen.
- Nehmen Sie das Empfängerhalsband Ihres Hundes immer ab, bevor Sie einen Sendetest durchführen.
- Ihr Hund sollte das Empfängerhalsband nicht tragen, wenn das System getestet wird. Ihr Haustier könnte eine unbeabsichtigte Korrektur erhalten.
- Um eine unbeabsichtigte Korrektur bei Ihrem Haustier zu verhindern, muss die Begrenzungsweite des Systems bei der Vornahme von Einstellungen am Begrenzungsbereich immer getestet werden.
- Wenn Sie für das Training ein Halsband und eine Leine verwenden, stellen Sie sicher, dass das zusätzliche Halsband keinen Druck auf die Kontaktstifte ausübt.
- Trennen Sie nie die Stromverbindung vom System, wenn sich das Halsband am Tier befindet.
- Radio Systems Corporation empfiehlt für den drahtlosen Zaun die Verwendung einer unterbrechungsfreien Stromversorgung (USV). Sollte sich ein Stromausfall ereignen, ist ihr Tier ungeschützt.
- Stromausfälle sind unberechenbar und die Verwendung einer unterbrechungsfreien Stromversorgung gibt Ihnen Zeit, Ihr Tier angemessen festzuhalten.

In seltenen Fällen kann Ihr Tier eine Korrektur erhalten, wenn es sich bei einem Stromausfall in der Nähe der Grenze aufhält. Diese Korrektur wird nach 30 Sekunden beendet, nachdem die Zeitüberschreitung erreicht wurde. Dies erfolgt aufgrund des Halsbandbetriebs: Das Halsband wird aktiviert, wenn kein Begrenzungssignal vorhanden ist.

Auch wenn die Ergebnisse abhängig von den Angaben des UVS-Herstellers schwanken, sollten Sie bei der Wahl einer USV auf Folgendes achten:

- Wenn Sie ein USV mit 400 VA verwenden, kann eine Sicherheitszeit von 3 Stunden erwartet werden.
- Wenn Sie ein USV mit 900 VA verwenden, kann eine Sicherheitszeit von 8 Stunden erwartet werden.

Wenn die Einstellungen für die maximale Zaungröße unterschritten werden, besteht eine längere Sicherheitszeit. Bei der minimalen Zaungröße kann die Sicherheitszeit mehr als das doppelte der Sicherheitszeit einer maximalen Zaungröße betragen.

HINWEIS

- Um eine unbeabsichtigte Korrektur, nachdem die Begrenzungsfähnchen platziert sind, zu verhindern, vergewissern Sie sich, dass Sie die Statische Stimulation auf dem Empfängerhalsband zurück auf Stufe 1 „Nur Ton“ gestellt haben.
- Platzieren Sie keine Gegenstände auf dem Sender und verdecken Sie die Belüftungsöffnungen nicht. Dadurch kann eine Überhitzung des Senders erfolgen und zu Übertragungsfehlern führen.
- Stellen Sie den Sender nicht in einen Schrank oder einen anderen unbelüfteten Bereich.

EN

FR

NL

ES

IT

DE

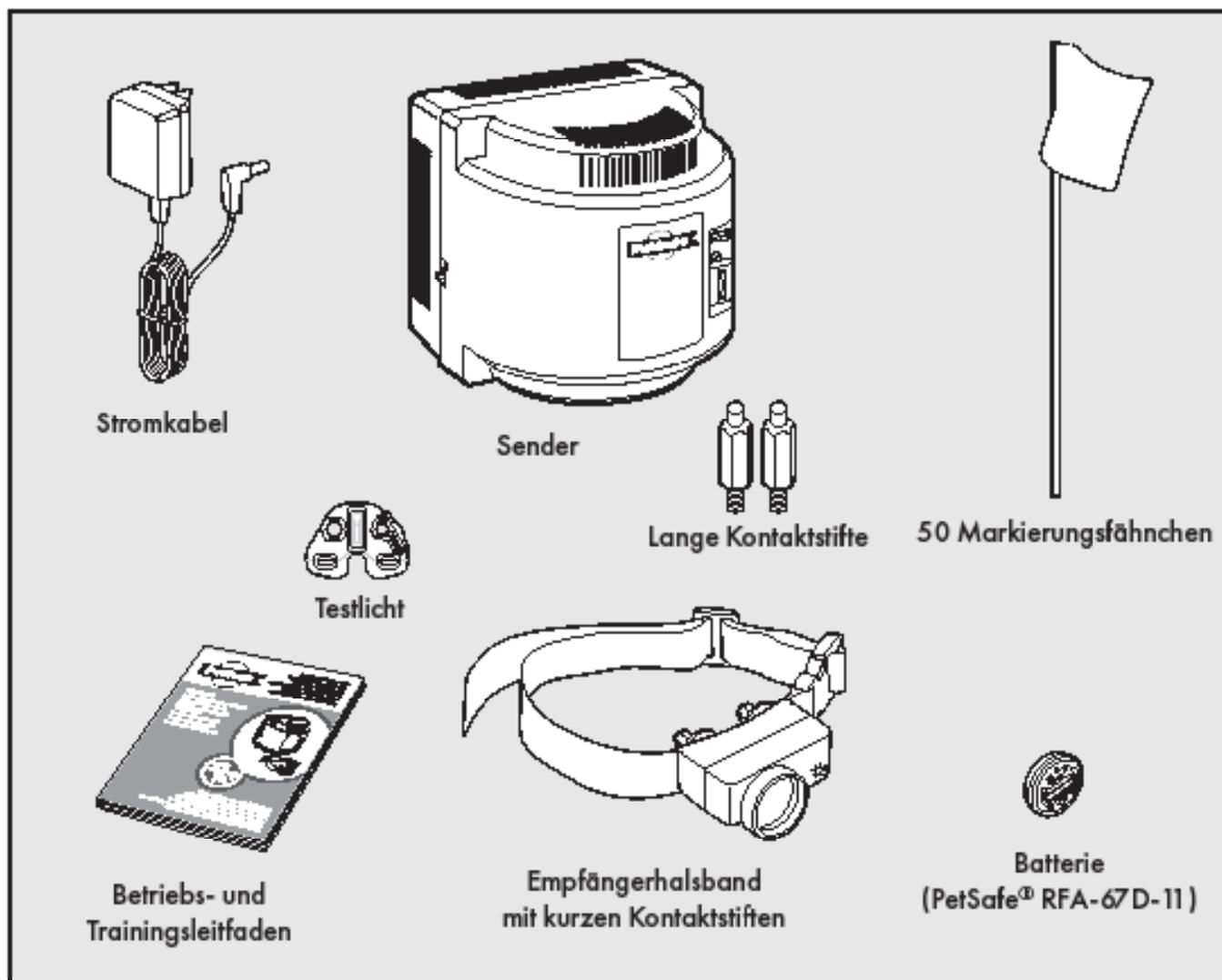
Vielen Dank für den Kauf der Marke PetSafe®. Sie und Ihr Haustier verdienen eine Freundschaft, die unvergessliche Momente und ein gegenseitiges Verstehen umfasst. Unsere Produkte und Trainingsmittel fördern einen Lebensstil voller Schutz, Lernen und Liebe, die Grundlagen, die ein Leben lang die Erinnerungen beeinflussen. **Bei Fragen zu unseren Produkten oder zum Training Ihres Haustiers besuchen Sie bitte unsere Website auf www.petsafe.net oder wenden Sie sich an unseren Kundenservicezentrum. Für eine Liste der Telefonnummern des Kundenservicezentrums besuchen Sie bitte unsere Website auf www.petsafe.net.**

Um den größten Schutz für Ihre Garantie zu erhalten, registrieren Sie bitte Ihr Produkt innerhalb von 30 Tagen auf www.petsafe.net. Wenn Sie eine Registrierung vornehmen und die Quittung behalten, profitieren Sie von der vollständigen Garantieleistung; und sollten Sie sich jemals an den Kundenservicezentrum wenden müssen, werden wir in der Lage sein, Ihnen schneller zu helfen. Sehr wichtig! Von PetSafe® wird Ihre wertvolle Information nie an Dritte weitergegeben oder verkauft. Die komplette Gewährleistungsdetails finden Sie über www.petsafe.net.

Inhaltsverzeichnis

Bestandteile	123
Andere Dinge, die Sie eventuell benötigen	123
Wie das System funktioniert	124
Definitionen	124
Betriebsanleitung	
Den Sender installieren	125
Das Empfängerhalsband vorbereiten	125
Überprüfung der Batteriekontakte	127
Aufenthaltsbereich auf gewünschte Größe einstellen	128
Senderabstandstabelle	129
Markierungsfähnchen aufstellen	130
Das Empfängerhalsband anpassen	130
Trainingsleitfaden	
Haben Sie Geduld mit Ihrem Hund	132
Tag 1 – Markierungsfähnchen kennen lernen	133
Tag 2 bis 4 – Markierungsfähnchen kennen lernen (Fortsetzung)	134
Tag 5 bis 8 – Ablenkungsphase	134
Tag 9 bis 14 – Beaufsichtigung ohne Leine	135
Tage 15 bis 30 - Haustierüberwachung	136
Den Hund aus dem Aufenthaltsbereich holen	136
Drahtloser Funkzaun unterwegs	136
Zubehör	136
Häufig gestellte Fragen	137
Problembewältigung	139
Synchronisieren Sie das System erneut	142
Batterieentsorgung	142
Konformität	143
Benutzungsbedingungen und Haftungsbeschränkung	143

Bestandteile



Andere Dinge, die Sie eventuell benötigen

- Zange
- Schere
- Feuerzeug
- Bohrer und Handwerkszeug
- Maßband
- Nicht metallisches Halsband und Leine

Wie das System funktioniert

Das Drahtloses Tierrückhaltesystem Wireless Pet Containment System™ ist erwiesenermaßen sicher, komfortabel und effektiv bei allen Hunden über 3,6 kg. Das System sendet ein Funksignal bis zu 27,5 m weit in alle Richtungen aus. Vorübergehend kennzeichnen Sie den Aufenthaltsbereich für das Tier mit Markierungsfähnchen als Orientierungshilfe für das Training des Hundes. Dieser trägt ein Empfängerhalsband mit Kontaktstiften, die seinen Hals berühren. Nach dem Training darf sich der Hund frei in seinem Aufenthaltsbereich bewegen. Wenn er in die Begrenzungsbereich gelangt, sendet das Empfängerhalsband zuerst einen Warnton aus, bevor der Hund über die Kontaktstifte einen sicheren statischen Stromreiz bekommt, um seine Aufmerksamkeit zu wecken, bis er in seinen Bereich zurückkehrt.

Definitionen

Sender: sendet das Funksignal aus und liegt im Zentrum des Aufenthaltsbereichs für den Hund.

Aufenthaltsbereich: die Entfernung vom Sender, innerhalb der sich Ihr Hund frei bewegen kann.

Begrenzungsbereich: ca. 0,6 m bis 1 m breiter Bereich außerhalb des Aufenthaltsbereichs, in dem das Empfängerhalsband zuerst zu piepsen beginnt und danach einen statischen Stromreiz abgibt; der Stromreiz beginnt im Grenzbereich und wird überall außerhalb des Aufenthaltsbereichs fortgesetzt. *Anmerkung:* Das Empfängerhalsband ist mit einer Sicherheitsabschaltung ausgerüstet, die nach 30 Sekunden aufhört, Stromreize abzugeben, wenn Ihr Hund außerhalb des Aufenthaltsbereichs bleibt.

Empfängerhalsband: empfängt das Funksignal vom Sender.

Einstellknopf für den Stromreiz: dient zur Einstellung der Intensität des statischen Stromreizes, den Ihr Hund außerhalb des Aufenthaltsbereichs bekommt.

Stimulationsniveau-Knopf: zeigt an, auf welche Intensität das Empfängerhalsband eingestellt ist; dient auch als Anzeige für eine schwache Batterie.

Kontaktstifte: geben den statischen Stromreiz ab, wenn Ihr Hund in den Grenzbereich kommt.

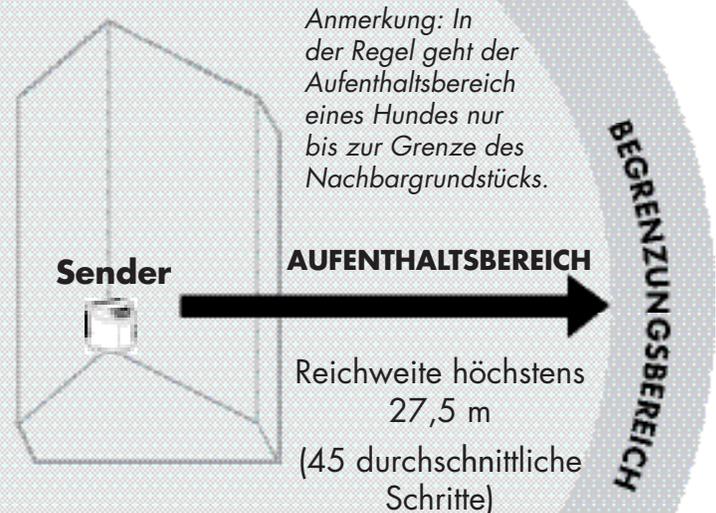
Buchse für Stromanschluss: dort, wo das Stromkabel in den Sender gestöpselt wird; der Sender benötigt einen normalen Stromanschluss.

Grenzschalter: je nach gewünschter Größe des Aufenthaltsbereichs anpassen.

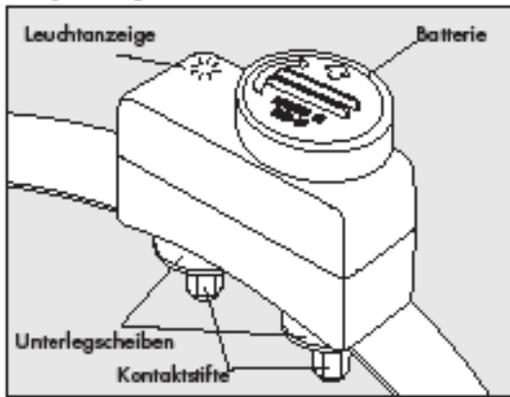
Stromanzeige: zeigt an, ob der Sender angeschaltet ist.

Begrenzungsbereichneinstellung: dient zur Einstellung der Entfernung vom Sender zur Begrenzungsbereich.

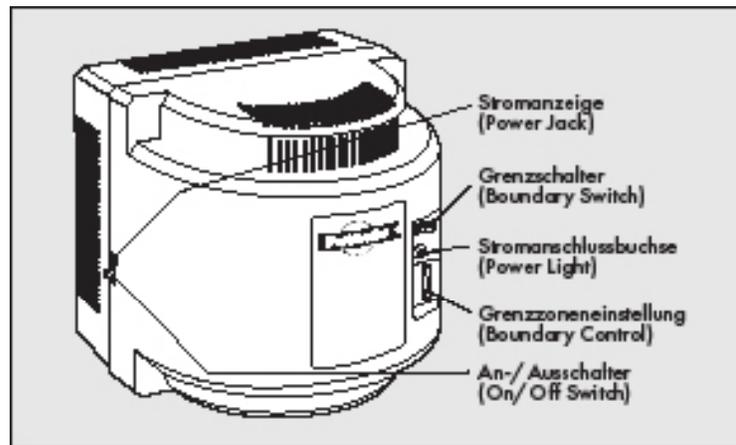
Anmerkung: Drehen an der Einstellung ändert nicht die Intensität des statischen Stromreizes am Empfängerhalsband.



Empfängerhalsband



Sender



BETRIEBSANLEITUNG

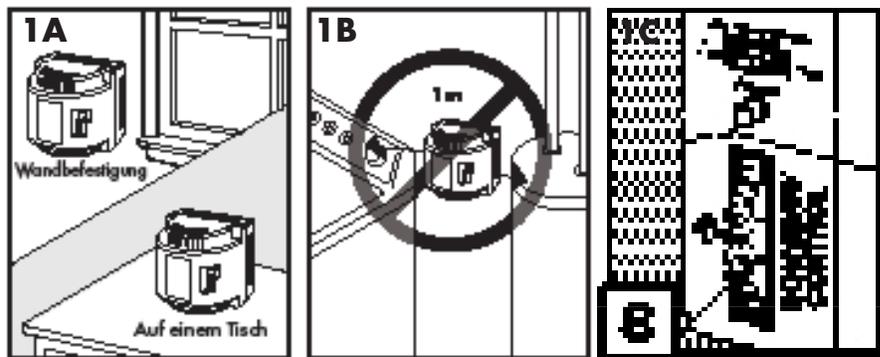
SCHRITT 1

Den Sender installieren

Wichtig: Es kann erforderlich sein, dass Sie den Sender mehrmals versetzen, bevor Sie seinen endgültigen Standort festlegen.

Der Sender befindet sich genau in der Mitte des Aufenthaltsbereichs des Hundes. Platzieren Sie den Sender:

- Im Erdgeschoss Ihres Hauses und mindestens 60 cm ueber dem Boden.
- An einem trockenen, gut belüfteten und geschützten Ort.
- An einer Stelle, an der die Temperaturen nicht unter den Gefrierpunkt fallen (z. B. Garage, Keller, Schuppen, Schrank).
- Auf einen nicht metallischen Tisch oder an der Wand (**1A**). Eine Montageschablone befindet sich am Ende dieses Leitfadens.
- Mindestens 1 m von großen Metallgegenständen entfernt, da diese die Größe und die Form des Aufenthaltsbereichs vermindern können (**1B**).



Um den Aufenthaltsbereich so groß wie möglich zu machen, sollten Sie den Grenzschar auf „High“ stellen (größtmöglicher Bereich) und die Begrenzungsbereichneinstellung auf „8“ drehen (**1C**). Stecken Sie das Stromkabel in die Stromanschlussbuchse und in eine normale Steckdose. Stellen Sie den Sender ein.

SCHRITT 2

Das Empfängerhalsband vorbereiten

Das Empfängerhalsband wird mit kurzen Kontaktstiften geliefert, die werksseitig montiert wurden. Benutzen Sie die langen Kontaktstifte für Hunde mit langem oder dichtem Fell. Entfernen Sie die Kontaktpunkte und spannen Sie sie mit der Testleuchte nach **(2A)**. Die Kontaktpunkte sollten eine halbe Umdrehung fester gespannt werden als mit den Hand. Überprüfen Sie ihren festen Sitz ein Mal wöchentlich.

Batterie einlegen und entnehmen

Anmerkung: Die Batterie nicht einlegen, während Ihr Hund das Empfängerhalsband trägt.

Dieser Vorgang sollte in einem Abstand von höchstens 1,5 m vom Sender ausgeführt werden.

Dieses Empfängerhalsband verwendet eine auswechselbare PetSafe® Batterie (RFA-67D-11). Diese spezielle Batterie wurde dafür entworfen, den Batteriewechsel zu erleichtern und die Wasserdichtigkeit zu verbessern.

Zum Einlegen der Batterie die Symbole auf Batterie (Pfeil) und Empfängerhalsband (Dreieck) in Deckung bringen **(2B)**. Drehen Sie die Batterie mit der Kante der Testleuchte **(2B)** nach rechts, bis der Pfeil mit dem Verschlussymbol auf dem Gehäuse in einer Linie ist.

Zum Herausnehmen der Batterie diese nach links drehen und dabei die Kante der Testleuchte verwenden **(2C)**. Versuchen Sie NICHT, in die Batterie zu schneiden oder sie zu gewaltsam zu öffnen. Entsorgen Sie die Batterie auf geeignete Weise.

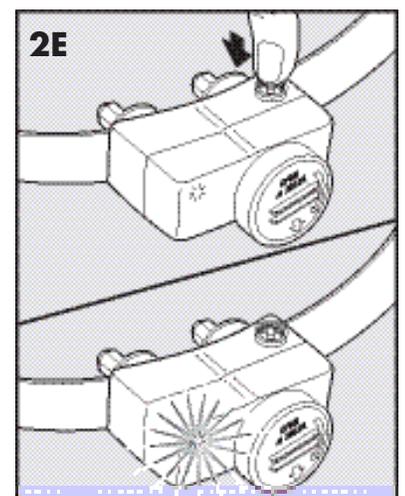
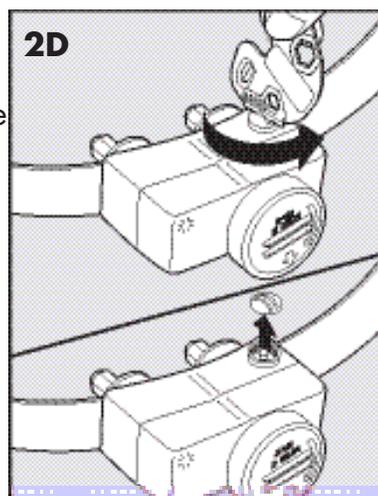
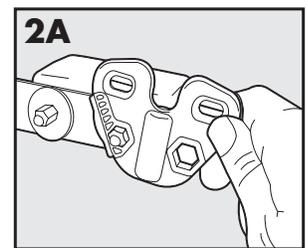
Wenn die Leuchtanzeige des Empfängers alle 4 bis 5 Sekunden blinkt, dann müssen Sie die Batterie wechseln. Entfernen Sie die alte Batterie vom Empfängerhalsband. Entladen Sie jegliche Energie, indem Sie den Stimulationniveau-Knopf drücken, bis kein Licht mehr aufleuchtet. Legen Sie eine neue Batterie ein.

Eine Ersatzbatterie von PetSafe® (RFA-67D-11) finden Sie bei vielen Einzelhändlern. Nehmen Sie mit dem Kundenservicezentrum Kontakt auf oder besuchen Sie unsere Webseite unter www.petsafe.net, um einen Händler in Ihrer Nähe zu finden.

Einstellen der Intensität des statischen Stromreizes

Lesen Sie alle nachfolgenden Schritte durch, bevor Sie versuchen, die Statische Stimulationstufe einzustellen. Siehe nachfolgende Tabelle Funktion und Reaktion, um die für Ihr Haustier am besten geeignete Einstellung der statischen Korrekturstufe zu wählen.

1. Nehmen Sie die durchsichtige Kunststoffabdeckung mit der Kante der Testleuchte ab, um die Stimulationniveau-Knopf freizulegen **(2D)**.
2. Ist die Batterie eingesetzt, dann drücken Sie den Einstellknopf und lassen Sie ihn



los, wenn die Stimulationsniveau-Knopf aufleuchtet (2E).

3. Die Leuchtanzeige des Empfängers blinkt mehrmals entsprechend der eingestellten Intensität des statischen Stromreizes.
4. Erhöhen Sie die Intensität des statischen Stromreizes, indem Sie den Stimulationsniveau-Knopf innerhalb von fünf Sekunden nach der vorherigen Serie von Blinkzeichen drücken.
5. Nach dem Einstellen der Intensität des statischen Stromreizes setzen Sie die Abdeckung wieder auf den Stimulationsniveau-Knopf, um ihn zu schützen.

Die Intensität des statischen Stromreizes steigt von Stufe 1 bis 6. Wenn Sie den Stimulationsniveau-Knopf drücken und das Empfängerhalsband ist auf Stufe 6 eingestellt, springt das Empfängerhalsband zurück auf Stufe 1. Sehen Sie sich die Tabelle „Funktions- und Reaktionsübersicht“ an, um die Intensitätsstufe des Stromreizes zu finden, die am besten zu Ihrem Hund passt.

Die LED-Leuchtanzeige des Empfängers zeigt auch eine schwache Batterieladung an. Sie blinkt alle vier bis fünf Sekunden, wenn ein Auswechseln erforderlich ist.

Überprüfung der Batteriekontakte

Nehmen Sie das Empfängerhalsband von Ihrem Haustier ab. Drücken Sie die Taste und überprüfen Sie, dass die LED-Leuchte aufleuchtet. Entfernen Sie die Batterie, wenn die LED-Leuchte nicht aufleuchtet. Suchen Sie die Metalllaschen in der Batterieöffnung. Heben Sie die Laschen vorsichtig an, um sicherzustellen, dass die Batterien einen guten Kontakt haben. Setzen Sie die Batterie wieder in das Empfängerhalsband. Drücken Sie die Taste und überprüfen Sie, dass die LED-Leuchte aufleuchtet.

Funktions- und Reaktionsübersicht

Blinken der Leuchtanzeige	Intensität des statischen Stromreizes	Funktion des Empfängerhalsbandes	Temperament des Hundes
Einmaliges Blinken	1	Kein statischer Stromreiz, nur Piepton	
Zweimaliges Blinken	2	Geringer statischer Stromreiz	Scheu
Dreimaliges Blinken	3	Geringer bis mittelstarker statischer Stromreiz	Scheu oder durchschnittlich
Viermaliges Blinken	4	Mittelstarker statischer Stromreiz	Durchschnittliche Energie
Fünfmaliges Blinken	5	Mittelstarker bis starker statischer Stromreiz	Durchschnittliche oder hohe Energie
Sechsmaliges Blinken	6	Starker statischer Stromreiz	Hohe Energie
Ein Blinkzeichen alle vier bis fünf Sekunden		Zeigt eine schwache Batterie an	

Schutz vor übermäßiger Korrektur

Wenn Ihr Haustier in den Begrenzungsbereich tritt oder sich außerhalb des erlaubten Aufenthaltsbereich des Haustieres befindet, wird durch diese Funktion die Dauer der statischen Korrektur auf 30 Sekunden begrenzt.

In dem unwahrscheinlichen Fall, dass Ihr Haustier den erlaubten Aufenthaltsbereich des Haustieres verlässt, erhält es keine Statische Stimulation, wenn es wieder in den erlaubten Aufenthaltsbereich zurückkehrt.

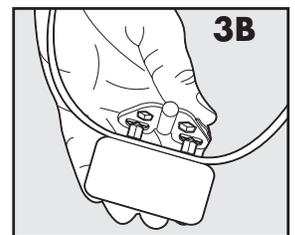
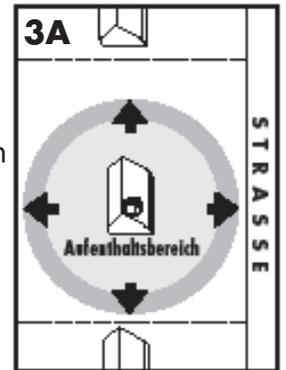
SCHRITT 3

Aufenthaltbereich auf gewünschte Größe einstellen

Achten Sie darauf, dass der gesamte Aufenthaltbereich auf Ihrem Grundstück liegt (**3A**). Beginnen Sie immer damit, die Begrenzungsbereich im kürzesten Abstand vom Sender festzulegen. Stellen Sie den Grenzscharter auf „Low“, wenn die Begrenzungsbereich sich weniger als 13,5 m vom Sender befinden soll.

Stellen Sie sicher, dass die Batterie des Empfängerhalsbandes korrekt eingesetzt ist, die Statische Stimulationstufe auf 2 oder höher eingestellt ist und dass die Testleuchtenkontakte die Kontaktpunkte berühren (**3B**).

Hinweis: Sollte Ihr unmittelbarer Nachbar ein unsichtbares Begrenzungssystem besitzen, siehe Problembewältigung auf Seite 139.



Einsatz der Testleuchte

1. Stellen Sie die Korrekturstufe auf 2 oder höher.
 2. Halten Sie die Testleuchtenkontakte an die Kontaktpunkte.
 3. Gehen Sie in Richtung des Begrenzungsbereichs und halten Sie das Empfängerhalsband in der Höhe des Halses Ihres Haustieres bis die Testleuchte aufblinkt.
- Speichern Sie die Testleuchte für künftige Tests.

Hinweis: Wenn die Testleuchte nicht blinkt, setzen Sie eine neue Batterie ein und führen den Test erneut durch. Wenn die Testleuchte immer noch nicht aufleuchtet, wenden Sie sich an das Kundendienstzentrum oder besuchen Sie unsere WebPage unter www.petsafe.net.

Stellen Sie zur Maximierung des erlaubten Aufenthaltbereichs des Haustieres sicher, dass der Begrenzungsscharter auf "high" (hoch) und der Begrenzungsdrehregler auf "8" gestellt ist. Stecken Sie den Netzadapter in die Netzbuchse und in eine Standardsteckdose.

Zweipersonen-Methode

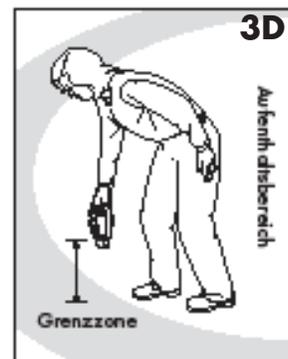
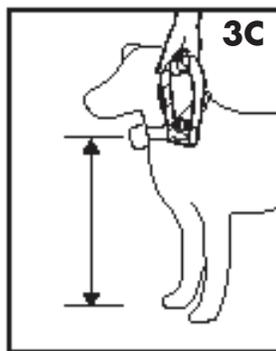
Halten Sie das Empfängerhalsband so in Höhe des Halses Ihres Hundes (**3C**), dass das Logo weg vom Sender zeigt. Gehen Sie bis zum Ende des gewünschten Aufenthaltbereichs. Drehen Sie sich vom Sender weg und halten Sie das Empfängerhalsband an den Rand des gewünschten Aufenthaltbereichs (**3D**).

Die Begrenzungsbereichneinstellung muss anfangs auf „8“ stehen. Lassen Sie eine zweite Person die Einstellung LANGSAM herunterdrehen. Wenn das Empfängerhalsband zu piepsen beginnt, bitten Sie die Person, nicht weiter an der Begrenzungsbereichneinstellung zu drehen. Notieren Sie Ihre Einstellungen unten, um sie bei Bedarf einfach erneut einstellen zu können.

Einpersonen-Methode

Messen Sie die kürzeste Entfernung vom gewünschten Begrenzungsbereich zum Sender. Suchen Sie die Entfernung in der Tabelle für die Senderreichweite auf Seite 129 stellen den Begrenzungsscharter und den Begrenzungsdrehregler ein. Halten Sie die Testleuchtenkontakte an die Kontaktpunkte (**3B**). Tragen

Sie das Empfängerhalsband in den Begrenzungsbereich, halten Sie dabei die LogoPage weg vom Empfänger und die Kontaktpunkte nach oben (**3C**). Halten Sie das Empfängerhalsband in der Höhe des Halses Ihres Haustieres (**3D**) bis das Empfängerhalsband einen Piepton ausgibt und die Testleuchte aufblinkt. Piept das Empfängerhalsband vor dem gewünschten Begrenzungsbereich, gehen Sie zum Sender zurück und passen Sie den Begrenzungsdrehregler an. Wiederholen Sie diesen Vorgang bis das Empfängerhalsband am gewünschten Ort piept. Halten Sie die Einstellungen auf Page 129 als künftige Referenz fest.



Senderabstandstabelle *(Anmerkung: Diese Abstände sind ungefähr)*

Begrenzungsbereichneinstellung	Grenzscharter „Low“	Grenzscharter „High“
1	1,5 m bis 3 m	1,5 m bis 3 m
2	1,5 m bis 3 m	1,5 m bis 3 m
3	4,5 m bis 6 m	7,5 m bis 12 m
4	6 m bis 7,5 m	12,5 m bis 16,5 m
5	7,5 m bis 9 m	16,5 m bis 19,5 m
6	10,5 m bis 12 m	23 m bis 26 m
7	12 m bis 13,5 m	26 m bis 27,5 m
8	12 m bis 13,5 m	26 m bis 27,5 m

Notieren Sie Ihre Einstellungen

	Endgültige Einstellung Grenzscharter (HIGH oder LOW)	Endgültige Einstellung Begrenzungsbereich (1-8)	Einstellung statischer Stromreiz (Intensität 1-6)
Zu Hause			
Campingplatz			
Urlaub			
Andere			

SCHRITT 4

Markierungsfähnchen aufstellen

Die Markierungsfähnchen sind eine visuelle Erinnerung für Ihren Hund, wo sich die Begrenzungsbereich befindet. Das Empfängerhalsband aktiviert sich in einem Abstand von 0,6 m bis 1 m von den Markierungsfähnchen.

1. Halten Sie das Empfängerhalsband unter Verwendung der Testleuchte und der statischen Korrekturstufe auf 2 oder höher in die Höhe des Halses Ihres Haustiers, dabei soll das Logo von PetSafe® vom Sender weg zeigen.
2. Gehen Sie in Richtung des Begrenzungsbereichs bis das Empfängerhalsband einen Piepton ausgibt und die Testleuchte aufblinkt (**4A**).
3. Stecken Sie ein Markierungsfähnchen in den Boden (**4B**).
4. Gehen Sie zurück in den Aufenthaltsbereich, bis das Piepsen aufhört.
5. Wiederholen Sie diesen Vorgang entlang der gesamten Begrenzungsbereich, bis sie alle 3 m mit Markierungsfähnchen gekennzeichnet ist.

Die Markierungsfähnchen können in verschiedenen Teilen der Begrenzungsbereich stehen und bilden womöglich keine Linie. Die Begrenzungsbereich ist 0,6 m bis 1 m breit.



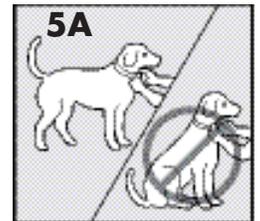
SCHRITT 5

Das Empfängerhalsband anpassen

Wichtig: Der richtige Sitz und die richtige Platzierung des Empfängerhalsbandes sind wichtig für ein effektives Training. Die Kontaktstifte müssen direkten Kontakt mit der Haut an der Kehle des Hundes haben.

Um den richtigen Sitz zu gewährleisten, befolgen Sie bitte folgende Schritte:

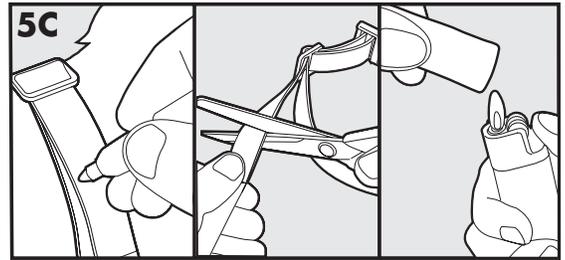
1. Stellen Sie sicher, dass die Batterie nicht in das Empfängerhalsband eingesetzt ist.
2. Lassen Sie Ihren Hund entspannt stehen (**5A**).
3. Legen Sie ihm das Empfängerhalsband so um, dass die Logoseite des Empfängers nach oben weist, damit der Warnton besser zu hören ist.
4. Richten Sie die Kontaktstifte mittig auf der Kehle des Hundes aus, so dass sie dort die Haut berühren. Wenn Ihr Hund langes oder dichtes Fell hat, benutzen sie bitte die beiliegenden langen Kontaktstifte, damit diese durch das Haar hindurchreichen.



VORSICHT

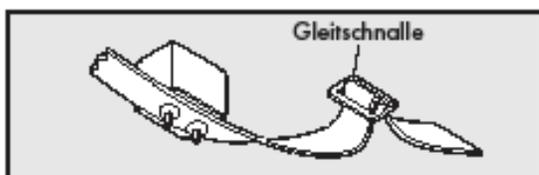
Sie müssen die Haare im Bereich der Kontaktpunkte vielleicht kurz schneiden. Rasieren Sie niemals den Nacken des Hundes; das könnte einen Ausschlag oder eine Infektion zur Folge haben.

- Überprüfen Sie den Sitz des Empfängerhalsbandes, indem Sie einen Finger zwischen das Ende eines Kontaktstifts und den Hals Ihres Hundes schieben. Das Halsband sollte fest, aber nicht beengend sitzen (**5B**).
- Lassen Sie den Hund das Empfängerhalsband mehrere Minuten lang tragen und überprüfen Sie dann nochmals den Sitz. Überprüfen Sie den Sitz erneut, wenn sich Ihr Tier besser an das Empfängerhalsband gewöhnt hat.

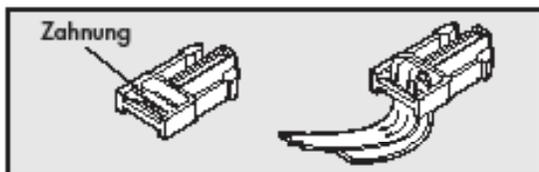


- Kürzen Sie das Halsband wie folgt (**5C**):
 - Markieren Sie die gewünschte Länge des Empfängerhalsbandes mit einem Stift. Wenn Ihr Hund noch jung ist oder ein dichtes Winterfell bekommt, sollten Sie berücksichtigen, dass Sie später mehr Länge benötigen könnten.
 - Nehmen Sie Ihrem Hund das Empfängerhalsband ab und schneiden Sie die überschüssige Länge ab.
 - Bevor Sie Ihrem Hund das Empfängerhalsband wieder anlegen, sollten Sie die Schnittkante verschweißen, indem Sie die faserige Kante mit einer Flamme (Feuerzeug) anschmelzen.
- Setzen Sie die Batterie in das Empfängerhalsband.

Das Halsband einfädeln



Die Gleitschnalle verhindert, dass das Halsband sich am Hals des Hundes lockert.



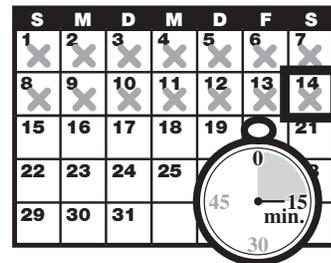
Die Zahnung muss nach oben weisen. Das Halsband rutscht, wenn es nicht richtig eingefädelt ist.



TRAININGSLEITFADEN

Haben Sie Geduld mit Ihrem Hund

Wichtig: Damit das Drahtlose Tierrückhaltesystem Wireless Pet Containment System™ erfolgreich wirkt, ist das richtige Training Ihres Hundes entscheidend. Lesen Sie diesen Abschnitt vollständig durch, bevor Sie mit dem Training Ihres Hundes beginnen. Vergessen Sie nicht, dass das Drahtlose Tierrückhaltesystem Wireless Pet Containment System™ keine feste Einzäunung ist.



- Beim Training sollten Sie und Ihr Hund Spaß haben. Das Training sollte unterhaltsam, fair, bestimmt und durchgängig sein.
- Trainieren Sie 10 bis 15 Minuten am Stück. Versuchen Sie nicht, zu viel in zu kurzer Zeit zu erreichen. Häufigere kurze Übungen sind besser als weniger häufige längere Übungen.
- Wir empfehlen ein Training, das mindestens 14 Tage dauert. Je nach Hund und abhängig davon, wie schnell er lernt, könnte das Training längere oder weniger Zeit in Anspruch nehmen.
- Wenn Ihr Hund Zeichen von Stress zeigt, sollten Sie das Training verlangsamen und zusätzliche Trainingstage einplanen oder die Spielzeit im Aufenthaltsbereich verlängern. Häufig auftretende Zeichen für Stress sind:
 - Ziehen an der Leine in Richtung Haus
 - Herunterhängende Ohren
 - Herunterhängender Schwanz
 - Tiefe Körperhaltung
 - Nervöse/panische Bewegungen oder Versteifung des Körpers
- Am Ende jeder Trainingseinheit muss Ihr Hund in der Nähe der Markierungsfähnchen vollkommen entspannt sein. Verbringen Sie nach Abschluss jeder Trainingseinheit mindestens fünf Minuten mit Spielen in einer Entfernung von 3 m von den Markierungsfähnchen.
- Beenden Sie jede Trainingseinheit positiv mit viel Lob und Spiel.
- Entfernen Sie das Empfängerhalsband nach jeder Trainingseinheit.
- Achten Sie darauf, Ihren Hund für die Dauer des Trainings mit anderen Mitteln am Weglaufen zu hindern.
- Wenn Sie Ihren Hund während der Dauer des Trainings aus dem Aufenthaltsbereich bringen müssen, entfernen Sie das Empfängerhalsband und tragen Sie Ihren Hund oder setzen Sie ihn ins Auto, um ihn aus dem Aufenthaltsbereich zu bringen.
- Auch wenn Sie glauben, Ihr Hund spräche gut auf das Training an, sollten Sie das gesamte Training abschließen. Wiederholung ist wichtig!

PHASE 1

Tag 1 – Markierungsfähnchen kennen lernen

Machen Sie am ersten Tag drei Trainingseinheiten. Jede Einheit dauert 10 bis 15 Minuten.

Ziel:

Ihr Hund soll lernen, dass die Markierungsfähnchen und Warntöne vom Empfängerhalsband seinen neuen Aufenthaltsbereich kennzeichnen..

Vorbereitung:

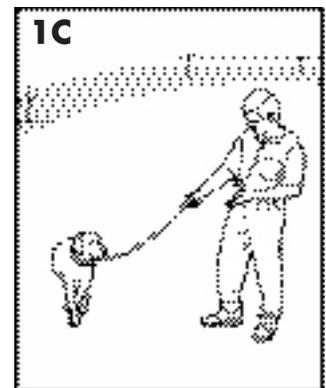
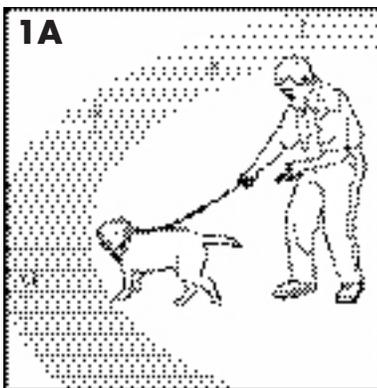
- Programmieren Sie das statische Stimulationniveau auf dem Empfängerhalsband auf Stufe 1 ,nur Ton Trainingsmodus.
- Legen Sie ein zusätzliches nicht metallisches Halsband um den Hals Ihres Hundes und zwar OBERHALB des Empfängerhalsbands. Befestigen Sie eine Leine daran.

VORSICHT Achten Sie darauf, dass das zusätzliche Halsband nicht auf die Kontaktstifte drückt.

- Halten Sie kleine Leckerchen bereit, die Ihr Hund gerne mag.
- Halten Sie das Lieblingsspielzeug Ihres Hundes bereit.

Schritte:

1. Beginnen Sie damit, mit Ihrem Hund an einer Leine in den erlaubten Aufenthaltsbereich für das Haustier zu gehen. Loben Sie Ihr Haustier ruhig und sprechen Sie mit ihm.
2. Gehen Sie Richtung Begrenzungsfähnchen (**1A**). Bleiben Sie gut gelaunt.
3. Halten Sie Ihr Haustier mit der Leine unter Kontrolle und gehen Sie dann zu den Fähnchen. Sobald Ihr Haustier den Begrenzungsbereich betritt, gibt das Empfängerhalsband ein Tonsignal aus (**1B**). Lassen Sie Ihr Haustier 2 Sekunden lang im Begrenzungsbereich bleiben und bringen Sie ihn dann behutsam in den erlaubten Aufenthaltsbereich des Haustieres zurück (**1C**). Loben Sie es sofort und geben Sie ihm eine Belohnung, wenn es den erlaubten Aufenthaltsbereich des Haustieres betritt, auch wenn Sie mit der Leine nachgeholfen haben.
4. Wiederholen Sie diesen Vorgang an dem selben Begrenzungsfähnchen, bis sich Ihr Haustier weigert, den Begrenzungsbereich zu betreten.
5. Als Ziel sollten in jeder Sitzung 3 bis 4 Begrenzungsfähnchen gelernt werden. Machen Sie es mit SPASS! Loben Sie Ihr Haustier, wenn es schnell zurückgeht oder sich weigert, den Begrenzungsbereich zu betreten.



PHASE 2

Tag 2 bis 4 – Markierungsfähnchen kennen lernen (Fortsetzung)

Machen Sie drei Trainingseinheiten pro Tag. Jede Einheit dauert 10 bis 15 Minuten.

Ziel:

Ihr Hund soll lernen, im Aufenthaltsbereich zu bleiben und die Grenze zu respektieren, während Sie sich außerhalb davon befinden.

Vorbereitung:

- Programmieren Sie das statische Stimulationniveau auf dem Empfängerhalsband auf Stufe 2.
- Legen Sie ein zusätzliches nicht metallisches Halsband um den Hals Ihres Hundes und zwar OBERHALB des Empfängerhalsbands. Befestigen Sie eine Leine daran.
- Halten Sie kleine Leckerchen bereit, die Ihr Hund gerne mag.

VORSICHT Achten Sie darauf, dass das zusätzliche Halsband nicht auf die Kontaktstifte drückt.

- Halten Sie das Lieblingsspielzeug Ihres Hundes bereit.

Schritte:

1. Wiederholen Sie Schritte 1 bis 5 aus Phase eins.
2. Wenn Ihr Haustier nicht auf die Statische Stimulation reagiert, vergewissern Sie sich, dass das Empfängerhalsband entsprechend Schritt 5 auf Seite 130 richtig sitzt.
3. Wenn das Empfängerhalsband richtig angepasst ist und Ihr Haustier nicht auf die Statische Stimulation reagiert, erhöhen Sie die Statische Stimulationstufe um 1 Stufe. Achten Sie zuerst auf kleine Reaktionen wie Aufstellen der Ohren, Drehen des Kopfes, Blick auf den Boden.
4. Bleiben Sie bei dem gleichen Begrenzungsfähnchen, bis sich Ihr Haustier weigert, den Begrenzungsbereich zu betreten.

PHASE 3

Tag 5 bis 8 – Ablenkungsphase

Machen Sie drei Trainingseinheiten pro Tag. Jede Einheit dauert 10 bis 15 Minuten.

Ziel:

Ihr Hund soll lernen, im Aufenthaltsbereich zu bleiben, während etwas außerhalb des Bereichs versucht, ihn abzulenken.

Vorbereitung:

- Programmieren Sie das Stimulationniveau auf dem Empfängerhalsband auf Stufe 2 oder höher, abhängig davon, wie Ihr Hund zwischen dem 2. und 4. Tag darauf reagiert.
- Legen Sie ein zusätzliches nicht metallisches Halsband um den Hals Ihres Hundes und zwar OBERHALB des Empfängerhalsbands. Befestigen Sie eine Leine daran.

VORSICHT

Achten Sie darauf, dass das zusätzliche Halsband nicht auf die Kontaktstifte drückt.

- Halten Sie kleine Leckerchen bereit, die Ihr Hund gerne mag (Würstchen oder etwas Fleisch sind gut geeignet).
- Halten Sie das Lieblingsspielzeug Ihres Hundes bereit.
- Sorgen Sie für Ablenkung, um Ihren Hund zu veranlassen, sich in die Begrenzungsbereich zu begeben, z. B.:
 - Lassen Sie ein Familienmitglied aus dem Inneren des Aufenthaltsbereichs nach außen gehen.
 - Werfen Sie einen Ball aus dem Aufenthaltsbereich hinaus.
 - Lassen Sie einen Nachbarn seinen Hund außen am Aufenthaltsbereich vorbeiführen.
- Erhöhen Sie die Ablenkungsstufe schrittweise. **Locken oder rufen Sie Ihr Haustier nie aus dem erlaubten Aufenthaltsbereich für das Haustier.**

Schritte:

1. Halten Sie Ihren Hund gut an der Leine fest und lassen Sie die Ablenkung auftreten.
2. Loben Sie Ihren Hund und geben Sie ihm eine Belohnung, wenn er sich nicht auf die Ablenkung zu bewegt.
3. Wenn Ihr Hund auf die Ablenkung reagiert, lassen Sie ihn in die Begrenzungsbereich gehen.
4. Wenn er die Begrenzungsbereich nicht innerhalb von 2 Sekunden verlässt, helfen Sie ihm mit der Leine heraus.
5. Belohnen und loben Sie den Hund jedes Mal, wenn er in den Aufenthaltsbereich zurückkehrt, egal ob mit oder ohne Hilfe.
6. Wiederholen Sie diesen Vorgang mit anderen Ablenkungen. Bitten Sie andere Familienmitglieder, bei dieser Übung zu helfen.
7. Wenn Ihr Haustier nicht auf die statische Stimulation reagiert, stellen Sie sicher, dass das Senderhalsband richtig sitzt, entsprechend Schritt 5 auf der Seite 130.
8. Wenn das Senderhalsband richtig sitzt und Ihr Haustier reagiert aber nicht auf die statische Stimulation, dann müssen Sie die Korrekturstufe auf 1 erhöhen.

PHASE 4**Tag 9 bis 14 – Beaufsichtigung ohne Leine**

Die Trainingseinheiten sollten anfangs 10 bis 15 Minuten dauern. Verlängern Sie sie schrittweise auf über eine Stunde.

Ihr Hund ist nur für diese Phase bereit, wenn er die gesamte Begrenzungsbereich auch bei Ablenkungen oder Anreizen deutlich meidet. Lassen Sie Ihren Hund in dieser Phase nicht unbeaufsichtigt.

Ziel:

Ihr Hund soll sich im Aufenthaltsbereich ohne Leine frei bewegen können.

Vorbereitung:

Programmieren Sie die Intensität des statischen Stromreizes am Empfängerhalsband dauerhaft entsprechend der Größe und dem Temperament Ihres Hundes.

Schritte:

1. Begeben Sie sich mit Ihrem Hund in den Aufenthaltsbereich. Der Hund trägt das Empfängerhalsband.
2. Laufen Sie im Garten herum und spielen Sie mit Ihrem Hund. Bleiben Sie dabei im Aufenthaltsbereich.

3. Beschäftigen Sie sich mit etwas anderem im Garten, während Sie Ihren Hund beobachten.
4. Sollte Ihr Hund entweichen, nehmen Sie ihm das Empfängerhalsband ab oder stellen Sie das System am Sender ab und führen Sie ihn zurück in den Aufenthaltsbereich.

PHASE 5

Tage 15 bis 30 - Haustierüberwachung

Ihr Haustier kann sich jetzt frei bewegen! Sehen Sie in regelmäßigen Abständen nach Ihrem Haustier. Hinweis: Wenn Sie das Training Ihres Haustiers zufriedenstellend abgeschlossen haben, nehmen Sie alle 4 Tage jedes zweite Begrenzungsfähnchen ab, bis alle Fähnchen entfernt sind. Bewahren Sie die Begrenzungsfähnchen für die zukünftige Verwendung auf.

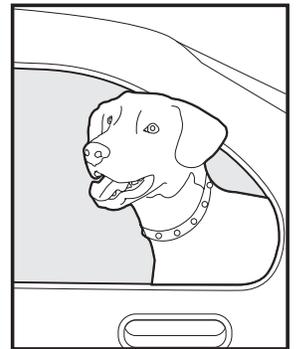
Den Hund aus dem Aufenthaltsbereich holen

Wichtig: Nehmen Sie ihm den Empfänger ab und lassen Sie diesen im Aufenthaltsbereich.

Sobald Ihr Hund gelernt hat, was die Begrenzungsbereich bedeutet, wird er sie nur widerwillig für Spaziergänge oder Ausfahrten überschreiten.

Option 1: Ersetzen Sie das Empfängerhalsband durch ein normales Halsband. Setzen Sie Ihren Hund in ein Auto, das sich innerhalb des Aufenthaltsbereichs befindet und fahren sie mit ihm aus dem Bereich heraus.

Option 2: Ersetzen Sie das Empfängerhalsband durch ein normales Halsband mit Leine. Verlassen Sie mit ihm den Aufenthaltsbereich und geben Sie dabei einen Befehl wie „OK“ an einer bestimmten Stelle der Begrenzungsbereich (am Ende Ihrer Einfahrt, Gehsteig usw.). Verlassen Sie den Aufenthaltsbereich immer an dieser Stelle und mit einer Leine, dann verbindet Ihr Hund das Verlassen seines Bereichs nur mit dieser Stelle, angeleint und in Begleitung eines Menschen. Eventuell müssen Sie den Hund anfänglich mit einem Leckerchen und viel Lob zum Verlassen seines Bereichs überreden.



Anmerkung: Sie können Ihren Hund auch aus seinem Aufenthaltsbereich tragen.

Drahtloser Funkzaun unterwegs

Das Drahtloses Tierrückhaltesystem Wireless Pet Containment System™ kann überallhin mitgenommen werden. Führen Sie die Schritte 1 bis 4 der Aufstallanleitung überall dort durch, wo Sie die Bewegungsfreiheit Ihres Hundes auf einen bestimmten Bereich beschränken möchten. Kennzeichnen Sie den Aufenthaltsbereich mit den Markierungsfähnchen, damit Ihr Hund seine Begrenzungsbereich kennt. Anmerkung: Bei Aufstellung in einem Gebäude aus Metall oder einem Fahrzeug kann sich die Größe des Aufenthaltsbereichs verringern. Achten Sie darauf, die Batterie am Empfängerhalsband zu entfernen, bevor Sie den Sender abstellen. Wenn Sie den Sender in einem Auto oder an einer anderen Gleichstromquelle betreiben wollen, benutzen Sie bitte einen Umformer, der für 50 Watt oder mehr freigegeben ist.

Zubehör

Um weiteres Zubehör für Ihr Drahtloses Tierrückhaltesystem Wireless Pet Containment System™ omheiningssysteem met draad voor kleine honden zu kaufen, kontaktieren Sie den Kundendienst oder besuchen Sie unsere Website auf www.petsafe.net, um einen Einzelhandel in Ihrer Gegend zu finden. Für eine Liste der Kundendienstzentren in Ihrer Nähe besuchen Sie bitte www.petsafe.net.

Häufig gestellte Fragen

<p>Wie alt muss mein Haustier sein, bevor ich das Training mit dem Drahtloses Tierrückhaltesystem Wireless Pet Containment System™ beginnen kann?</p>	<ul style="list-style-type: none"> • Da alle Haustiere unterschiedlich sind, kann das Training mit diesem System begonnen werden, wenn Ihr Haustier die grundlegenden Befehle wie "Platz" und "Bleib" erlernen kann. Das System sollte nur bei Haustieren verwendet werden, die älter als 6 Monate sind. Wenn Ihr Haustier verletzt oder seine Mobilität anderweitig eingeschränkt ist, sollten Sie vor der Verwendung Ihren Tierarzt oder professionellen Trainer kontaktieren.
<p>Ist das Empfängerhalsband wasserdicht?</p>	<ul style="list-style-type: none"> • Ja. Wenn Sie die Batterie wechseln, sollten Sie darauf achten, dass sich rund um die Batterie kein Staub und Dreck befindet.
<p>Kann das Drahtloses Tierrückhaltesystem Wireless Pet Containment System™ einen Aufenthaltsbereich abdecken, der einen größeren Durchmesser als 55 m hat?</p>	<ul style="list-style-type: none"> • Sie können einen weiteren Sender verwenden, dessen Grenze sich mit dem ersten um mindestens 2 m bis 3 m überschneidet, um einen größeren Aufenthaltsbereich zu bekommen.
<p>Kann sich ein Hanggrundstück auf den Aufenthaltsbereich auswirken?</p>	<ul style="list-style-type: none"> • Das Sendersignal reicht etwa 27,5 m in alle Richtungen. Bei einem Hanggrundstück kann es größer oder kleiner als erwartet sein. Sie sollten vielleicht den Sender umsetzen, um den Aufenthaltsbereich zu maximieren.
<p>Kann ich mehr als ein Empfängerhalsband mit dem drahtlosen Funkzaunsystem verwenden?</p>	<ul style="list-style-type: none"> • Ja. Es gibt keine Begrenzung der Anzahl Tiere, die Sie mit einem drahtlosen Funkzaunsystem zurückhalten können. Sie müssen für jedes Tier ein zusätzliches Empfängerhalsband erwerben. Nehmen Sie bitte mit dem Kundenservicezentrum Kontakt auf oder besuchen Sie unsere Webseite unter www.petsafe.net, um einen Händler in Ihrer Nähe zu finden.
<p>Hindert das drahtlose Funkzaunsystem andere Tiere daran, in meinen Garten zu kommen?</p>	<ul style="list-style-type: none"> • Nein. Das drahtlose Funkzaunsystem funktioniert nur bei Tieren, die ein Empfängerhalsband tragen.
<p>Gibt es einen Sender, der in der Hand gehalten werden kann und der mit dem Empfängerhalsband des drahtlosen Funkzaunsystems funktioniert?</p>	<ul style="list-style-type: none"> • Nein. Sie müssten in diesem Fall ein Trainingssystem erwerben. Nehmen Sie bitte mit dem Kundenservicezentrum Kontakt auf oder besuchen Sie unsere Webseite unter www.petsafe.net, um einen Händler in Ihrer Nähe zu finden.
<p>Gibt es ein kleineres Empfängerhalsband oder ein anderes kompatibles Empfängerhalsband, das ich mit dem Sender verwenden kann?</p>	<ul style="list-style-type: none"> • Nein. Nehmen Sie bitte mit dem Kundenservicezentrum Kontakt auf oder besuchen Sie unsere Webseite unter www.petsafe.net, um andere Ideen oder Lösungen kennen zu lernen.

EN

FR

NL

ES

IT

DE

Wenn ich Fragen zu meinem drahtlosen Funkzaunsystem habe oder Ersatzteile benötige, wo erhalte ich dann Antworten oder Hilfe?	<ul style="list-style-type: none"> • Nehmen Sie bitte mit dem Kundenservicezentrum Kontakt auf oder besuchen Sie unsere Webseite unter www.petsafe.net.
Kann ich das drahtlose Funkzaunsystem bei einem aggressiven Hund verwenden?	<ul style="list-style-type: none"> • Wir raten davon ab, bei aggressiven Hunden elektronische Trainingsgeräte zu verwenden. Wenn Sie nicht sicher sind, ob Ihr Hund aggressiv ist, sprechen Sie bitte mit Ihrem Tierarzt oder einem zugelassenen Hundetrainer.
Kann ich das drahtlose Funkzaunsystem bei einer Katze verwenden?	<ul style="list-style-type: none"> • Das System kann benutzt werden, so lange die Katze das Empfängerhalsband bequem tragen kann.
Was passiert, wenn der Strom ausfällt?	<ul style="list-style-type: none"> • Das drahtlose Funkzaunsystem ist so ausgelegt, dass es Stromausfälle erkennt und sich abstellt, ohne das Empfängerhalsband zu aktivieren. Wenn Ihr Hund allerdings zum Zeitpunkt des Stromausfalls in der Nähe der Begrenzungsbereich ist, kann er einen statischen Stromreiz erhalten. Falls es in Ihrer Gegend häufig Stromausfälle gibt, dann sollten Sie eventuell über eine Ersatzstromversorgung auf Batteriebasis für den Sender nachdenken, um diese Möglichkeit weitgehend auszuschalten.
Was kann passieren, wenn ich die Stromversorgung des Senders abstelle oder das Kabel abziehe?	<ul style="list-style-type: none"> • Wenn Ihr Haustier das Empfängerhalsband trägt, könnte es eine unbeabsichtigte Korrektur erhalten. Nehmen Sie das Empfängerhalsband Ihres Hundes immer ab, bevor Sie die Stromverbindung des Senders abstellen oder einen Sendetest durchführen.
Was ist, wenn ich die durchsichtige Plastikabdeckung des Stimulationsniveau-Knopf für den Stromreiz verlieren sollte?	<ul style="list-style-type: none"> • Der durchsichtige Plastikknopf verhindert, dass die Intensität des statischen Stromreizes versehentlich geändert wird und trägt dazu bei, dass der Empfänger wasserdicht ist. Fragen Sie im Kundenservicezentrum Kontakt nach Ersatz.
Wie lange erhält mein Hund einen statischen Stromreiz, wenn er den Aufenthaltsbereich verlässt?	<ul style="list-style-type: none"> • Ihr Hund erhält einen statischen Stromreiz, so lange er außerhalb des Aufenthaltsbereichs ist, jedoch höchstens 30 Sekunden. Das Empfängerhalsband hat eine Sicherheitsabschaltung, die den Stromreiz und den Piepton nach 30 Sekunden unterbricht, bis es wieder in den Aufenthaltsbereich zurückgebracht wird.
Wie oft muss ich die Batterie im Empfängerhalsband wechseln?	<ul style="list-style-type: none"> • Die Haltbarkeit der Batterie hängt davon ab, wie oft Ihr Hund in die Begrenzungsbereich läuft. Die Leuchtanzeige des Empfängers zeigt eine schwache Batterieladung an, indem sie alle vier bis fünf Sekunden aufblinkt, wenn Ersatz erforderlich ist.
Kann ich den Empfänger mit einem anderen Halsband verwenden?	<ul style="list-style-type: none"> • Ja. Jedes nicht metallische Halsband ist geeignet. Machen Sie zwei Löcher in das Halsband, um den Empfänger zu befestigen. Benutzen Sie das mitgelieferte Halsband als Schablone, um die Löcher im neuen Halsband anzuzeichnen.

<p>Muss ich mein drahtloses Funkzaunsystem warten?</p>	<ul style="list-style-type: none"> • Untersuchen Sie den Hals Ihres Hundes täglich auf Reizungen durch die Kontaktstifte. • Untersuchen Sie die Kontaktstifte wöchentlich auf festen Sitz und Sauberkeit. • Überprüfen Sie den richtigen Sitz des Empfängerhalsbands wöchentlich. • Die Leuchtanzeige des Empfängers zeigt eine schwache Batterieladung an, indem sie alle vier bis fünf Sekunden blinkt, wenn Ersatz erforderlich ist.
<p>Wie weiß ich, dass die Batterie im Empfängerhalsband noch funktioniert?</p>	<ul style="list-style-type: none"> • Nehmen Sie Ihrem Hund das Halsband ab und begeben Sie sich in die Begrenzungsbereich. Das Empfängerhalsband sollte jetzt piepsen. Wenn nicht, ist ein Batteriewechsel erforderlich.
<p>Beeinflussen Fahrzeuge, Gebäude oder Landschaftsbilder (Bäume, Sträucher, etc.) die Leistung des drahtlosen Systems?</p>	<ul style="list-style-type: none"> • Ja. Wenn Sie den Sender in Bauten aus Metall verwenden, kann die maximale Reichweite des drahtlosen Systems verringert werden. • Wenn Sie ein Fahrzeug im erlaubten Aufenthaltsbereich des Haustieres parken, kann die Reichweite des Systems verringert werden und Ihr Haustier eine Statische Stimulation erhalten, die es ohne das parkende Fahrzeug nicht erhalten hätte. • Große feststehende Metallgegenstände, wie Metallhütten, können das Signal beeinflussen und die maximale Reichweite im Bereich des Gegenstandes verringern. Dadurch könnte Ihr Haustier eine unbeabsichtigte Korrektur erhalten.
<p>Was muss ich tun, wenn der Hals meines Hundes rot und gereizt wird?</p>	<ul style="list-style-type: none"> • Das liegt daran, dass die Kontaktstifte die Haut reizen. Setzen Sie die Verwendung des Empfängerhalsbands für ein paar Tage ab. Wenn die Reizung länger als 48 Stunden bestehen bleibt, sollten Sie Ihren Tierarzt aufsuchen. Ist die Haut wieder in Ordnung, legen Sie das Empfängerhalsband wieder an und behalten Sie den Zustand der Haut genau im Auge.
<p>Kann ich eine Leine am Empfängerhalsband befestigen?</p>	<ul style="list-style-type: none"> • Nein. Das kann dazu führen, dass die Kontaktstifte zu fest an den Hals Ihres Hundes gezogen werden. Befestigen Sie die Leine an einem eigenen, nicht metallischen Halsband, das oberhalb des Empfängerhalsbands angelegt wird.
<p>Warum hat das Empfängerhalsband einen Betriebsmodus „Nur piepsen“ („Beep only“)?</p>	<ul style="list-style-type: none"> • Dieser Modus kann verwendet werden, um Ihren Hund an die Grenze zu gewöhnen, oder für gut erzogene Hunde, die keinen statischen Stromreiz mehr benötigen.

Problembewältigung

<p>Das Empfängerhalsband sendet beim Einstellen der Begrenzungsbereich keinen Piepton aus.</p>	<ul style="list-style-type: none"> • Vielleicht ist der Piepton aufgrund von Lärm in der Umgebung nur schlecht hörbar. • Stellen Sie das Testlicht so ein, wie im Abschnitt „Ein satz der Testleuchte“ beschrieben, und benutzen Sie es, um festzustellen, wo die Begrenzungsbereich verläuft. • Überprüfen Sie, dass der Sender entsprechend den Anweisungen eingestellt ist und setzen Sie innerhalb von 1,5 m bis 3 m Abstand zum Sender eine neue Batterie ein. • Synchronisieren Sie das System erneut (Seite 142).
---	--

<p>Das Empfängerhalsband sendet keinen Piepton aus und gibt keinen statischen Stromreiz ab.</p>	<ul style="list-style-type: none"> • Kontrollieren Sie, ob der Sender in eine funktionierende Steckdose gesteckt wurde. Ist er eingeschaltet? Leuchtet die Stromanzeige auf? Entsprechen die Einstellungen am Sender Ihren Wünschen? • Überprüfen Sie die Empfängerbatterie, um sicherzugehen, dass sie richtig eingesetzt wurde. • Wenn Sie die Batterie auswechseln, sollten Sie das in einem Abstand von höchstens 1,5 m bis 3 m zum Sender tun. • Synchronisieren Sie das System erneut (Seite 142).
<p>Das Empfängerhalsband sendet überall einen Piepton aus.</p>	<ul style="list-style-type: none"> • Überprüfen Sie, ob der Sender in eine funktionierende Steckdose gesteckt wurde. Ist er eingeschaltet? Leuchtet die Stromanzeige auf? Entsprechen die Einstellungen am Sender Ihren Wünschen? • Bringen Sie das Empfängerhalsband in einen Abstand von maximal 1,5 m bis 3 m zum Sender und bringen Sie die Einstellungen zurück in die Grundeinstellung. • Synchronisieren Sie das System erneut (Seite 142).
<p>Das Empfängerhalsband sendet im Haus einen Piepton aus.</p>	<ul style="list-style-type: none"> • Stellen Sie sicher, dass der Sender eingeschaltet ist und entsprechend der Anweisungen eingestellt wurde. • Stellen Sie sicher, dass das gesamte Haus in den Aufenthaltsbereich des Hundes fällt. Der Sender muss eventuell woanders aufgestellt werden, damit er das gesamte Haus umfasst. • Wenn Sie den Sender versetzen, dann nehmen Sie Ihrem Hund das Empfängerhalsband ab, bevor Sie den Sender ausschalten. • Synchronisieren Sie das System erneut (Seite 142).
<p>Mein Haustier erhält in seiner Box aus Metall eine Statische Stimulation.</p>	<ul style="list-style-type: none"> • Das Empfängerhalsband wird aktiviert, wenn es das Sendersignal verliert. Die Metallbox könnte das Sendersignal blockieren, wodurch das Empfängerhalsband aktiviert wird. • Nehmen Sie Ihrem Haustier das Empfängerhalsband ab, wenn sich das Haustier in der Metallbox befindet.
<p>Die Begrenzungsbereich scheint sich zu verändern.</p>	<ul style="list-style-type: none"> • Das ist normal für das elektromagnetische Feld des drahtlosen Funkzaunsystems. Das Feld kann von „elektronischem Lärm“ aus der Umgebung beeinflusst werden, so dass es sich um bis zu 5% verändern kann. • Wo sich das Empfängerhalsband aktiviert, hängt von der Geschwindigkeit und Richtung ab, die das Empfängerhalsband hat, wenn der Hund in die Begrenzungsbereich gerät.
<p>Das Empfängerhalsband wird mitten im Garten aktiviert.</p>	<ul style="list-style-type: none"> • Das Empfängerhalsband aktiviert sich, wenn es das Signal des Senders verliert. Das geschieht manchmal, wenn sich ein großer Metallgegenstand zwischen Empfängerhalsband und Sender befindet, wenn sich die Richtung des Empfängerhalsbands nahe der Begrenzungsbereich ändert, oder wenn „elektronischer Lärm“ aus der Umgebung das Signal stört. Wenn das dauerhaft der Fall ist, sollten Sie sich überlegen, den Sender zu versetzen und den Aufenthaltsbereich für den Hund neu einzustellen. • Synchronisieren Sie das System erneut (Seite 142).

<p>Das Empfängerhalsband sendet einen Piepton aus, aber mein Hund reagiert nicht auf den statischen Stromreiz.</p>	<ul style="list-style-type: none"> • Stellen Sie sicher, dass die Intensitätsstufe des statischen Stromreizes auf 2 oder höher eingestellt ist. • Testen Sie das Empfängerhalsband mit dem Testlicht. • Wenn das Testlicht blinkt, überprüfen Sie den Sitz des Empfängerhalsbandes. • Trimmen Sie das Fell Ihres Hundes dort, wo die Kontaktstifte seinen Hals berühren und/oder benutzen Sie die längeren Kontaktstifte. • Erhöhen Sie die Intensität des statischen Stromreizes. • Wiederholen Sie das Training Schritt für Schritt, um es dem Hund in Erinnerung zu rufen.
<p>Mein Hund reagiert stark auf den statischen Stromreiz und ist ängstlich geworden.</p>	<ul style="list-style-type: none"> • Verringern Sie die Intensität des statischen Stromreizes. • Achten Sie darauf, dass Sie die Situation in der Hand haben, wenn Ihr Hund seinen ersten statischen Stromreiz erhält (halten Sie ihn an einer Leine, die an einem zweiten nichtmetallischen Halsband befestigt ist), führen Sie ihn in seinen Aufenthaltsbereich und loben Sie ihn. Wenn Ihr Hund ängstlich bleibt, dann unterbrechen Sie das Training und beginnen Sie am nächsten Tag aufs Neue. Achten Sie darauf, jedes Training positiv mit viel Lob und Spiel zu beenden.
<p>Die Stromanzeige „Power“ leuchtet nicht.</p>	<ul style="list-style-type: none"> • Stellen Sie sicher, dass der An-/Ausschalter am Sender an ist, das Stromkabel in den Sender und in eine normale Steckdose gesteckt ist.
<p>Ich habe den Aufenthaltsbereich für den Hund eingestellt. Nachdem ich die Begrenzungsbereichneinstellung verringert habe, wollte das Empfängerhalsband keinen Piepton mehr aussenden und gab auch keinen Stromreiz mehr.</p>	<ul style="list-style-type: none"> • Vielleicht haben Sie die Begrenzungsbereichneinstellung zu schnell verringert, so dass sich der Stromausfallmodus am Empfängerhalsband eingestellt hat. Das ist eine Sicherheitsmaßnahme, die Ihren Hund schützen soll, wenn der Sender keinen Strom mehr erhält. Bringen Sie das Empfängerhalsband näher als 1,5 m bis 3 m an den Sender heran, stellen Sie die Begrenzungsbereichneinstellung auf 8 und stellen Sie die Begrenzungsbereich erneut ein. Achten Sie dabei darauf, die Einstellung langsam herunterzudrehen.
<p>Mein unmittelbarer Nachbar hat ein unsichtbares Begrenzungssystem und das Empfängerhalsband wird in der Nähe ihres Grundstücks nicht aktiviert.</p>	<ul style="list-style-type: none"> • Das Signal des unsichtbaren Zauns Ihres Nachbarn könnte den Betrieb des Empfängerhalsbandes beeinträchtigen und so die Aktivierung in Zaunnähe verhindern. Reduzieren Sie die Größe des erlaubten Aufenthaltsbereich des Haustieres oder stellen Sie den Sender weiter vom unsichtbaren Zaunsystem entfernt auf. • Passen Sie den erlaubten Aufenthaltsbereich des Haustieres so an, dass das Empfängerhalsband mindestens 1,5 m außerhalb der verringerten Begrenzungseinstellung aktiviert wird, wenn Sie in Richtung des unsichtbaren Zauns gehen

Das Empfängerhalsband hat den Hals meines Haustiers verletzt.

Die Nichtbefolgung der wichtigen Sicherheitsinformationen am Anfang der Gebrauchs- und Trainingsanleitung hat zu Druckgeschwüren geführt. In einigen Fällen werden fortgeschrittene Druckgeschwüre als Wundstellen ähnlich Verbrennungen am Hals des Hundes beschrieben. Sie können sich sicher sein, dass elektronische Halsbänder nicht genug Energie verwenden, um elektrische Verbrennungen zu verursachen. Die Energie eines Ausgangsimpulses beträgt lediglich einige Tausend Joule; dies ist mit einem elektrostatischen Impuls vergleichbar, den Sie ggf. beim Aussteigen aus Ihrem Auto verspüren. In manchen Fällen werden Druckgeschwüre ähnlich chemischen Verbrennungen beschrieben. Die RFA-67D-11 Batterie ist versiegelt, wenn Sie in das Empfängerhalsband eingesetzt wird. Durch diese Versiegelung ist das Auslaufen der Batterie Ihres Empfängerhalsbands auf den Hals Ihres Haustiers praktisch unmöglich, sofern keine unsachgemäße oder missbräuchliche Verwendung stattfindet. Bitte sehen Sie die wichtigen Sicherheitsinformationen auf Seite 120 und die Anweisungen in Schritt 5 unter der Überschrift „Das Empfängerhalsband anpassen“ durch und befolgen Sie diese.

Synchronisieren Sie das System erneut

1. Das Empfängerhalsband von Ihrem Haustier abnehmen.
2. Entfernen Sie die Batterie aus dem Empfängerhalsband. Entladen Sie die Energie, indem Sie die Taste für die Stimulationsniveau-Knopf so lange gedrückt halten, bis keine LED mehr leuchtet.
3. Bewegen Sie den Begrenzungsschalter am Sender von den geringen zur hohen Position.
4. Passen Sie Begrenzungsdrehregler langsam bis auf 8 an, dann stellen Sie ihn auf 1 und dann in die 4. Position.
5. Stellen Sie sich 1,5 m bis 3 m vor den Sender und setzen Sie die Batterien wieder in das Empfängerhalsband.
6. Überprüfen Sie die Begrenzung und prüfen Sie den Betrieb, indem Sie in den erlaubten Aufenthaltsbereich für das Haustier gehen, bis Ihr Empfängerhalsband reagiert. Wenn der Sender auf 4 gestellt ist, sollte es in ca. 12 m bis 15 m Entfernung aktiviert werden.

Sobald Sie sichergestellt haben, dass das System funktioniert, setzen Sie die Senderregulierung auf die ursprünglichen Einstellungen zurück.



Batterieentsorgung

Das Gerät wird mit einer 6-Volt-Lithium-Batterie mit 240 mAH-Kapazität betrieben. Ersetzen Sie diese nur mit einer gleichwertigen Batterie, die Sie über den Kundendienst bekommen. Für eine Liste der Telefonnummern des Kundendienstes besuchen Sie bitte unsere Website auf www.petsafe.net. In vielen Regionen ist die separate Sammlung von verbrauchten Batterien erforderlich; prüfen Sie die Bestimmungen in Ihrer Gegend, bevor Sie verbrauchte Batterien wegwerfen. Siehe bitte Seite 126 für Anleitungen zum Herausnehmen der Batterie aus dem Produkt für die separate Entsorgung.



Wichtige Recyclinghinweise

Respektieren Sie bitte die Bestimmungen zur Entsorgung von elektrischen und elektronischen Abfällen in Ihrem Land. Diese Geräte müssen recycelt werden. Wenn Sie ein Gerät nicht mehr benötigen, führen Sie es nicht dem normalen Müll bei der städtischen Müllentsorgung zu. Bitte geben Sie es dahin zurück, wo Sie es gekauft haben, damit es unserem Recyclingsystem zugeführt werden kann. Wenn das nicht möglich ist, setzen Sie sich bitte mit dem Kundendienst für weitere Informationen in Verbindung.

Konformität

CE - Europa

Diese Ausrüstung wurde getestet und als konform mit der EU R&TTE-Richtlinie befunden. Bevor Sie das Gerät außerhalb der EU verwenden, setzen Sie sich bitte mit der Behörde für Funkanlagen und Telekommunikationsendeinrichtungen (Radio and Telecommunications Terminal Equipment R&TTE) in Verbindung. Nicht autorisierte Änderungen oder Modifikationen der Ausrüstung, die nicht von Radio Systems Corporation genehmigt wurden, könnten die EU R&TTE-Richtlinien verletzen, die Autorisierung des Benutzers die Ausrüstung zu betreiben annullieren und die Garantie ungültig machen.

Die Radio Systems Corporation erklärt hiermit, dass dieser PIF-300-21 Drahtloses Tierrückhaltesystem Wireless Pet Containment System™ konform mit den wesentlichen Anforderungen und anderen relevanten Vorkehrungen der Richtlinie 1999/5/EG. Die Konformitätserklärung finden Sie unter: http://www.petsafe.net/customer-care/eu_docs.php.

IC- Kanada

Dieses Gerät entspricht den lizenzfreien RSS-Standards der Industrie Kanadas. Der Betrieb unterliegt den folgenden zwei Bedingungen: (1) Dieses Gerät darf keine Interferenz hervorrufen und (2) Dieses Gerät muss jede Interferenz aufnehmen, wie u.a. Interferenz, die einen unerwünschten Betrieb des Geräts verursachen kann.

ACMA - Australien

Dieses Gerät ist mit den anwendbaren EMC-Bestimmungen konform, die durch ACMA (Australian Communications and Media Authority) spezifiziert sind.

Benutzungsbedingungen und Haftungsbeschränkung

1. Benutzungsbedingungen

Dieses Produkt wird Ihnen unter der Voraussetzung angeboten, dass Sie die hierin enthaltenen Verkaufs- und Lieferbedingungen und Hinweise ohne Änderung akzeptieren. Die Benutzung dieses Produkts unterstellt die Akzeptanz aller derartigen Verkaufs- und Lieferbedingungen und Hinweise.

2. Sachgemäße Verwendung

Dieses Produkt wurde zur Verwendung bei Tieren entwickelt, die Training benötigen. Aufgrund des besonderen Temperaments Ihres Hundes kann es unter Umständen nicht funktionieren. Wenn Sie nicht sicher sind, ob es für Ihren Hund geeignet ist, sprechen Sie bitte mit Ihrem Tierarzt oder einem geprüften Hundetrainer.

3. Keine ungesetzliche oder verbotene Verwendung

Dieses Produkt wurde nur zur Verwendung bei Tieren entwickelt. Dieses Hundetrainingsgerät ist nicht dazu gedacht, Schaden oder Verletzungen zuzufügen oder zu provozieren. Die Verwendung dieses Produkts auf eine Weise, die nicht beabsichtigt ist, könnte eine Verletzung von Bundes-, Staats- oder lokalen Gesetzen darstellen.

4. Haftungsbeschränkung

Auf keinen Fall ist Radio Systems Corporation haftbar für irgendwelche direkten, indirekten, strafrechtlichen, zufälligen, besonderen oder Folgeschäden noch für andere Schäden gleich welcher Art, die sich aus dem Gebrauch oder Missbrauch dieses Produkts ergeben oder damit zusammenhängen. Der Käufer trägt alle Risiken und übernimmt die gesamte Haftung im Zusammenhang mit der Verwendung dieses Produkts.

5. Änderung der Verkaufs- und Lieferbedingungen

Radio Systems Corporation behält sich das Recht vor, die Verkaufs- und Lieferbedingungen und Hinweise zu ändern, in deren Rahmen das Produkt angeboten wird.

EN

FR

NL

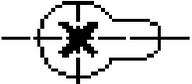
ES

IT

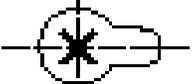
DE



Mounting Template
Gabarit de montage
Opzettend malplaatje
Plantilla de montaje
Dima di montaggio
Montageschablone



171 mm (6.75 inches)



Radio Systems Corporation
10427 PetSafe Way
Knoxville, TN 37932
(865)-777-5404
www.petsafe.net
400-651-19/1

©2012 Radio Systems Corporation

Covered by US Patent 6,879,300; 6,921,089; 7,142,167; D515,027.
Protégé par des brevets américains 6,879,300; 6,921,089; 7,142,167; D515,027.
Gedekt door VS octrooien 6,879,300; 6,921,089; 7,142,167; D515,027.
Cubierto por patentes americanas 6,879,300; 6,921,089; 7,142,167; D515,027.
Protetto da brevetti USA 6,879,300; 6,921,089; 7,142,167; D515,027.
Durch US-Amerikanisches Patent geschützt 6,879,300; 6,921,089; 7,142,167; D515,027.